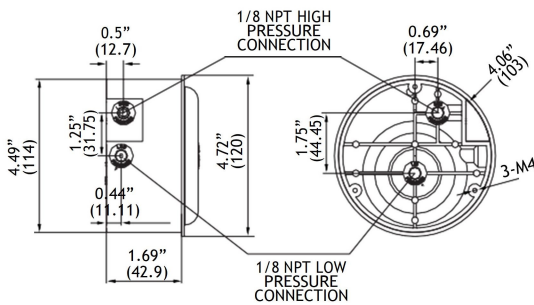


Series G2000

Low-Cost Differential Pressure Gauge



DIMENSIONS



SPECIFICATIONS

Pressure Limits: -20" Hg to 15 PSI (-0.677 bar to 1.034 bar)

Media Compatibility: Air and compatible gasses

Accuracy: +/- 2% full scale (+/- 3% on -0 and +/- 4% on -00) throughout range at 70° F (21° C)

Temperature Ranges: 20° to 140° F (-7° to 60° C)

Housing Material: Die cast aluminum case and bezel, with acrylic cover

Process Connection: 1/8" female NPT duplicate high and low pressure taps - one pair side and one pair back.

Weight: 1 lb 2 oz (510 g)

Accessories: Two 1/8" NPT barbed fittings, two 1/8" NPT plugs, and three mounting tabs and screws

Warranty: 1 years

Approvals: RoHS, CE

- Mounts in Industry Standard Holes
- Accuracy 2%
- Die Cast Aluminum Housing (G2000)

The Series G2000 differential pressure gauges are low-cost, diaphragm operated, mechanical pressure gauges. The G2000 gage can be used in applications for measuring positive, negative, or differential pressure with a very good accuracy. Standard applications include monitoring filter status, duct static pressure, room pressure, fan or blower pressure, paint booths, dust collectors, and cabinet purging along with many others.

MODEL NUMBERS

Model Number	Pressure Range	Model Number	Pressure Range	Model Number	Pressure Range
Inches w.c.		Zero Center Inches w.c.		mm w.c.	
G2000-00	0 - 0.25"	G2300-0	0.25 - 0-0.25"	G2000-6MM	0 - 6
G2000-0	0 - 0.5"	G2301	0.5 - 0 - 0.5"	G2000-10MM	0 - 10
G2001	0 - 1"	G2302	1 - 0 - 1"	G2000-25MM	0 - 25
G2002	0 - 2"	G2304	2 - 0 - 2"	G2000-50MM	0 - 50
G2003	0 - 3"	G2310	5 - 0 - 5"	G2000-100MM	0 - 100
G2004	0 - 4"	G2320	10 - 0 - 10"	G2000-250MM	0 - 250
S2005	0 - 5"	Pa / kPa		Zero Center mm w.c.	
G2006	0 - 6"	G2000-60PA	0 - 60	G2300-12MM	6 - 0 - 6
G2008	0 - 8"	G2000-125PA	0 - 125	G2300-20MM	10 - 0 - 10
G2010	0 - 10"	G2000-250PA	0 - 250	G2300-50MM	25 - 0 - 25
G2015	0 - 15"	G2000-500PA	0 - 500	Dual Scale Inches w.c. and Pa or kPa	
G2020	0 - 20"	G2000-750PA	0 - 750	G2000-00D	0-0.25" / 0 - 60
G2025	0 - 25"	G2000-1KPA	0 - 1	G2000-0D	0-0.5" / 0 - 125
G2030	0 - 30"	G2000-1.5KPA	0 - 1.5	G2001D	0 - 1" / 0 - 250
G2050	0 - 50"	G2000-2KPA	0 - 2	G2002D	0 - 2" / 0 - 500
G2100	0 - 100"	Zero Center Pa		G2003D	0 - 3" / 0 - 750
Options:		G2300-60PA	30 - 0 - 30	G2004D	0-4" / 0 - 1000
- ASF Adjustable Signal Flag		G2300-120PA	60 - 0 - 60	G2006D	0 - 6" / 0 - 1.5
- CH Chrome Bezel		G2300-250PA	125 - 0 - 125	G2008D	0 - 8" / 0 - 2.0
- LT Low Temperature to -20° F (-29° C)		For other pressure ranges or custom scales, contact factory		G2010D	0 - 10" / 0 - 2.5
				G2020D	0 - 20" / 0 - 5.0

ACCESSORIES

- Static Pressure Tip with barbed connection
- Air Filter Kit
- Surface Mounting Bracket
- Hanging Bracket / Stand
- Short Shut Off Valve
- Long Shut Off Valve
- Vinyl Tubing 5 feet

