

# Hinges



## CLIP top BLUMOTION 110°



### Features

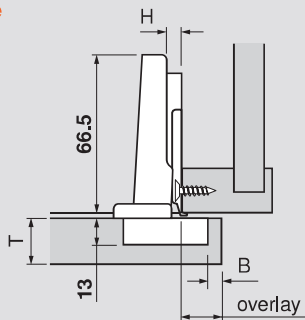
- BLUMOTION integrated into the hinge cup
- Deactivation switch for small/light doors
- For door thicknesses up to 26 (1")
- Overload safety feature
- 86° angle restriction clip available (70T3553)
- Compatible with existing CLIP mounting plates and hinge arm cover caps

Minimum reveal table						
3	0.5	1.0	1.8	2.7	4.3	
4	0.5	1.0	1.7	2.5	3.8	
5	0.5	0.9	1.7	2.4	3.4	
6	0.5	0.9	1.6	2.3	3.2	
7	0.5	0.9	1.6	2.2	3.0	
B = boring distance	16	19	22	24	26	T = door thickness

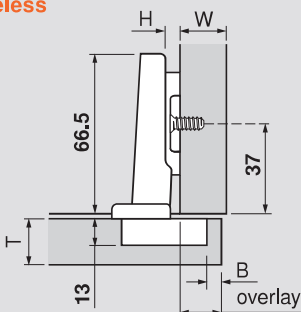
Thickness greater than 26 trial recommended

### Overlay

#### Frame

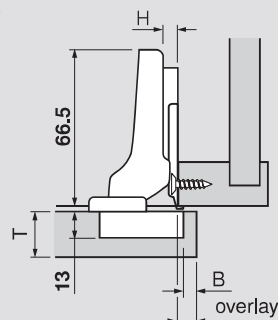


#### Frameless

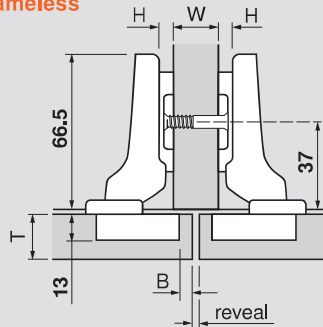


### Partial/twin overlay

#### Frame

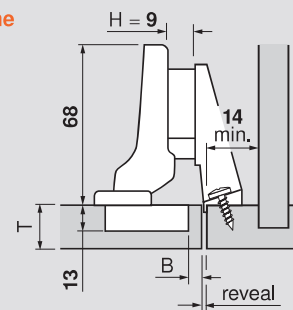


#### Frameless



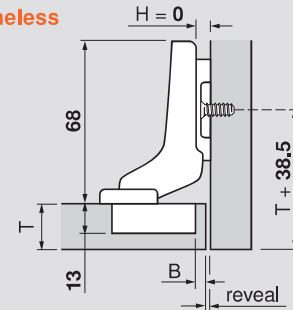
### Inset

#### Frame



**NOTE:** Application requires a half-cranked hinge and mounting plate 175H5030.21

#### Frameless



**NOTE:** See page 57 for angle restriction clip instructions and details

H	Overlay						P	S
0	14	15	16	17	18	12	21.5	
3	11	12	13	14	15	15	24.5	
4.5	9.5	10.5	11.5	12.5	13.5	16.5	26	
6	8	9	10	11	12	18	27.5	
9	5	6	7	8	9	21	30.5	
	3	4	5	6	7	Fixed distance = 11		
	B = boring distance							

**NOTE:** 4.5 plate is only for use in frame cabinets, 9 plate is only for frameless cabinets

H	Overlay					P	S	
0	4.5	5.5	6.5	7.5	8.5	21.5	31	
	3	4	5	6	7	Fixed distance = 1.5		
	B = boring distance							
H	Reveal					W	P	S
0	7	5	3	1	-	16		
	10	8	6	4	2	19	21.5	31
	13	11	9	7	5	22		
	3	4	5	6	7	B = boring distance		

H	Reveal					P	S
0	4	3	2	1	-	30	39.5
9	4.5	3.5	2.5	1.5	0.5	30.5	40
	3	4	5	6	7	Fixed distance: 0 = -7, 9 = 1.5	
	B = boring distance						

### Abbreviations

H	=	Plate height
P	=	Door protrusion
S	=	Side arm protrusion
W	=	Side panel width

Straight-arm	Soft close
Screw-on	71B3550
Press-in	71B3580
INSERTA	71B3590
EXPANDO	71B358E

Half-cranked	Soft close
Screw-on	71B3650
Press-in	71B3680
INSERTA	71B3690

Full-cranked	Soft close
Screw-on	71B3750
Press-in	71B3780
INSERTA	71B3790