



PTU-71/7000/6000 Series

Selectable UHF Frequency

Dual / Quad / Eight Channels Wireless Microphone System



www.phenyxpro.com



OWNER'S MANUAL

Thank you for purchasing the Phenyx Pro PTU-71/7000/6000 Series.
 For the best results and the utmost satisfaction for your new unit,
 please read this manual carefully to ensure proper operation,
 and keep it for future reference. For more information,
 please visit our store: www.phennyxpro.com

Table of Contents

| | |
|---|-----------|
| System Description | 4 |
| System overview..... | 4 |
| System Features..... | 4 |
| System components..... | 4 |
| Functions of Parts | 5 |
| Receiver..... | 5 |
| Transmitters..... | 7 |
| Operation Guidance | 8 |
| Single system setup..... | 8 |
| Multiple system setup..... | 10 |
| Wireless Tips | 11 |
| Troubleshooting | 12 |
| Specification | 13 |
| Technical Support & Warranty Information | 14 |

System Description

System overview

The PTU-71/7000/6000 Series was born with the mission that everyone can enjoy superior sound quality and professional features without overpaying. Adjustable UHF frequency design provides more flexibility when facing outside interference. The state-of-the-art AutoScan circuitry scans the entire RF environment precisely to quickly locate the best available frequency and deliver promising wireless performance. Guarantee fewer cutoffs and dropouts for your important moments in live shows, weddings, church, DJs, conference meetings, public speaking, etc.

System features

- Adjustable UHF frequency groups for multiset operation. The PTU-71 features 2x100 adjustable frequencies, while the PTU-7000 features 4x40 and the PTU-6000 features 8x40.
- The IR synchronization enables you to pair up and operate painlessly.
- The auto-scan function serves as the automatic frequency management by precisely scanning the entire RF environment and locating the best available frequency for interference-free and dropout-free use.
- The advanced circuitry provides up to 328ft/100m long-range and rock-firm coverage
- Dynamic cartridge with a cardioid polar pattern flawlessly captures and smoothly transmits your sound noise-freely.
- It escalates your voice to the next level and reproduces the lush, warm, natural, and flawless sound.
- Two types of transmitters and various accessories provide easy customization.

System components

Your system comes with a combination of the following components.

Receiver

| | |
|----------|---------------------------------|
| PWR-71 | Dual-channel Wireless Receiver |
| PWR-7000 | Quad-channel Wireless Receiver |
| PWR-6000 | Eight-channel Wireless Receiver |

Transmitters

| | |
|-------|----------------------|
| PWH-7 | Handheld Transmitter |
| PWB-7 | Bodypack Transmitter |

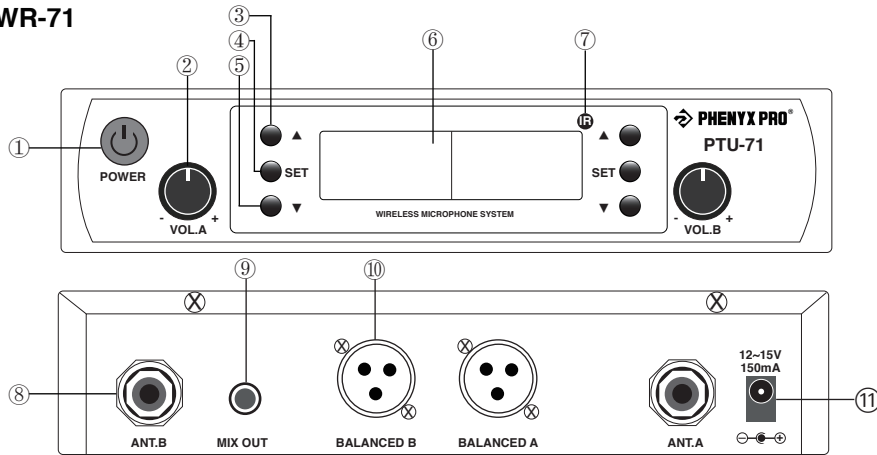
Accessories

| | |
|------------|---------------------------|
| PHM-01-BLK | Black Headset Mic |
| PHM-01-BGE | Beige Headset Mic |
| PLM-01-BLK | Black Lapel Mic |
| PLM-01-BGE | Beige Lapel Mic |
| ANTB-500 | Antennas for 500 UHF Band |
| PTA-01 | Power Adapter |
| PTA-02 | 1/4" Audio Cable |
| | AA Batteries |
| | Anti-rolling Rings |
| | 6.35MM to 3.5MM Adapter |
| | User's Manual |

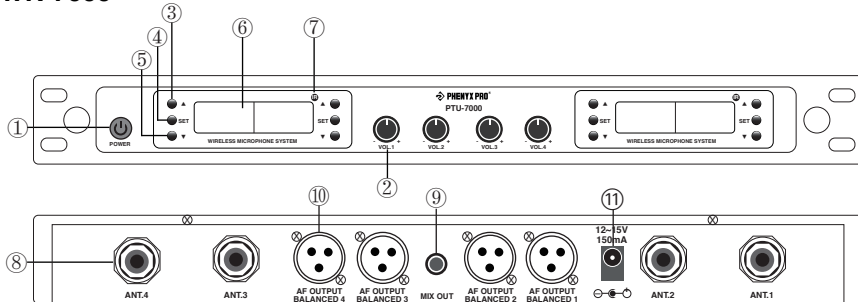
Functions of Parts

Receiver

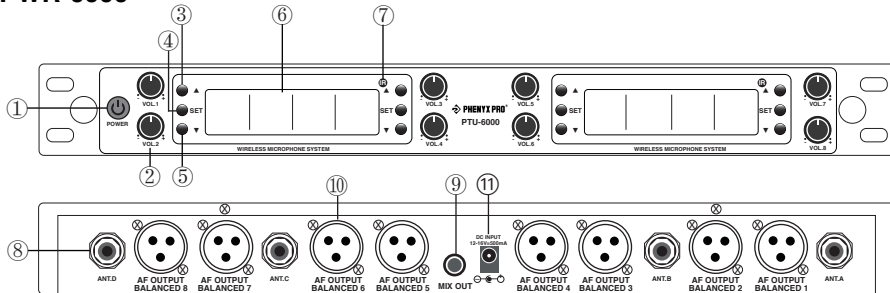
PWR-71



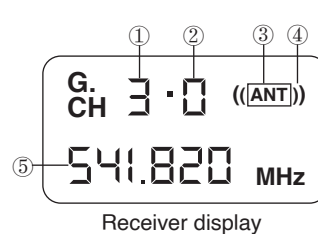
PWR-7000



PWR-6000



- ① **Power button:** Powers the unit on and off. When it is on, it lights green.
- ② **Volume control knobs:** Twist these knobs clockwise/counterclockwise to increase/decrease the volume.
*NOTE: Please check the corresponding name of each knob before adjusting the volume for the desired channel properly.
- ③ **Up button:** Short press (tap) this button for frequency increment. Long press for 2 seconds to initiate the lock function.
*NOTE: For PWR-6000, short press (tap) this button also for channel selection.
- ④ **SET button:** Short press (tap) this button for infrared synchronization setup. Long press for 2 seconds to initiate the auto-scan function.
- ⑤ **Down button:** Short press (tap) this button for frequency decrement.
*NOTE: For PWR-6000, short press (tap) this button also for channel selection.
- ⑥ **LCD display**
- ⑦ **IR window:** For infrared synchronization setup.
*NOTE: Please short press (tap) the SET button to start (LCD shows "F----"). Then vertically aim the IR window of the transmitter to that of the receiver for pairing them up.
- ⑧ **Antennas:** For connecting detachable antennas and picking up signals from transmitters.
*NOTE: The PWR-71 has two antennas, while the PWR-7000 and PWR-6000, respectively, have four.
- ⑨ **1/4" mixed output jack:** The 1/4" (6.35mm) output jack accepts an unbalanced TS phone-type connector.
- ⑩ **XLR audio output jack:** The XLR audio output jacks accept a balanced XLR connector. Each channel has its corresponding XLR output jack.
- ⑪ **Power jack**



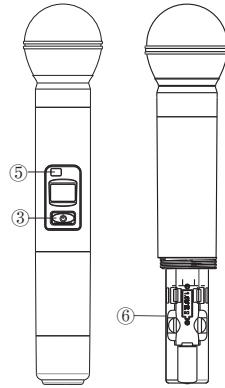
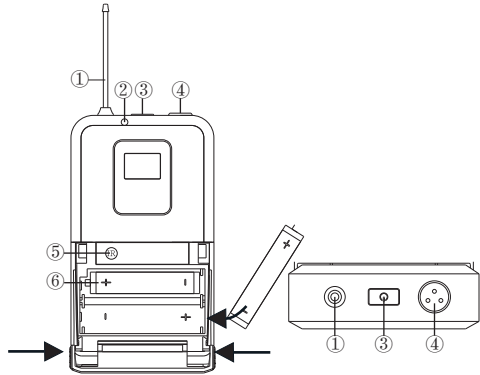
Receiver display

- ① **Group number**
- ② **Channel number**
- ③ **RF signal indicator:** It appears when the transmitter is successfully paired up with the receiver. When it disappears, the channel of the receiver receives no signal.
- ④ **Audio signal indicator:** Indicates audio signal level. "ANT" indicates no audio signal. "((ANT))" indicates the highest audio signal level.
- ⑤ **Frequency number**

Transmitters

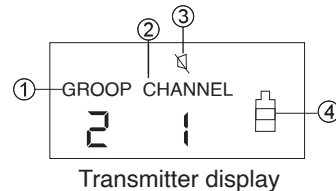
Bodypack transmitter PWB-7

Handheld transmitter PWH-7



- ① **Antenna**
- ② **Battery light:** It maintains green to indicate the battery of the bodypack transmitter is sufficient. It turns red to indicate the battery is low.
- ③ **ON/MUTE/OFF power button:** Long press the power button for 2 seconds to turn the transmitter on/off. Short press (tap) to mute the transmitter.
- ④ **3-pin XLR jack**
- ⑤ **IR window:** For infrared synchronization setup.
*NOTE: Please vertically aim the IR window of the transmitter to that of the receiver for pairing them up.
- ⑥ **Battery compartment:** Install batteries with the correct polarity.

- ① **Group number**
- ② **Channel number**
- ③ **Mute indicator:** The mute icon appears on the screen to indicate the transmitter is muted.
- ④ **Battery indicator:** To indicate the real-time battery status.

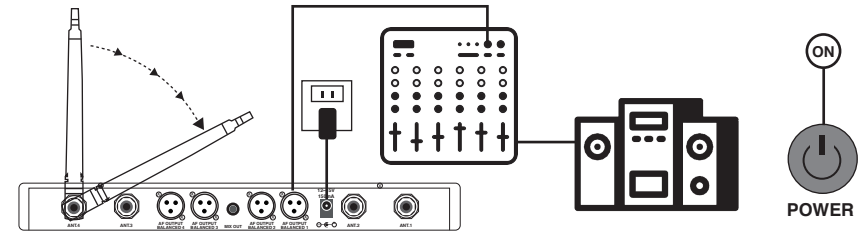


Operation Guidance

Single system setup

Step 1: Connect and power up the receiver

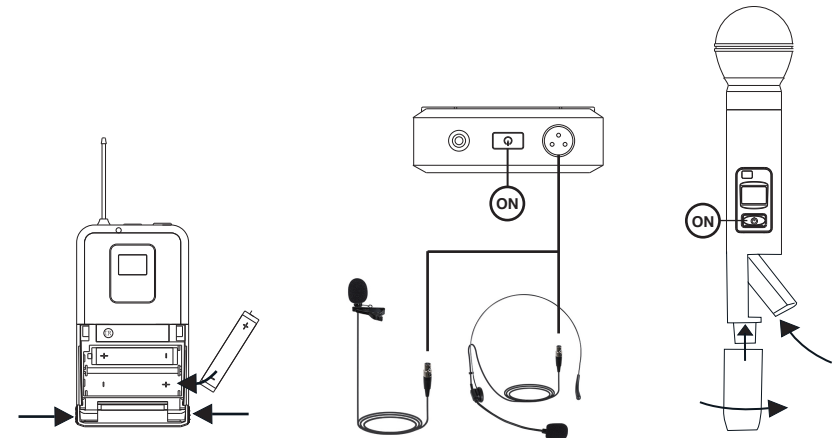
- ① Connect antennas to the receiver via ANT jacks.
- ② Connect the power supply to the receiver via the power jack.
- ③ Connect the audio output to an amplifier/speaker or mixer via 1/4" mixed output jack or XLR audio output jack.
- ④ Long press (2s) the receiver power button to turn it on.



Step 2: Turn on transmitters

- ① Install fresh batteries with the correct polarity.
- ② Long press power buttons to turn on transmitters.

*NOTE: The LCD screens of handheld and bodypack transmitters turn dim in standby mode. The LED light on top of the bodypack transmitter remains green to indicate it is turned on.



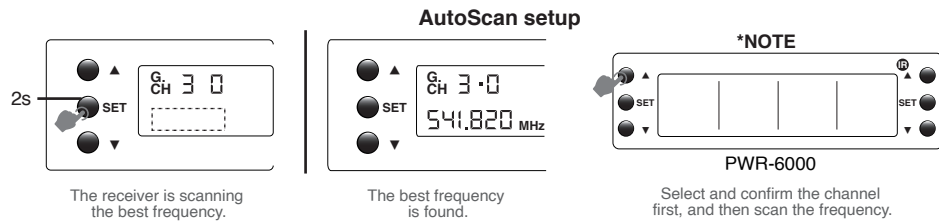
Step 3: Manual setup

Short press (tap) the “▲” up and “▼” down buttons to select the desired frequency.

***NOTE:** For PWR-6000, press the “▲” up and “▼” down buttons to select the desired channel first. The selected channel will flash, and please press SET to confirm. Then follow the step above.

Step 3: AutoScan setup

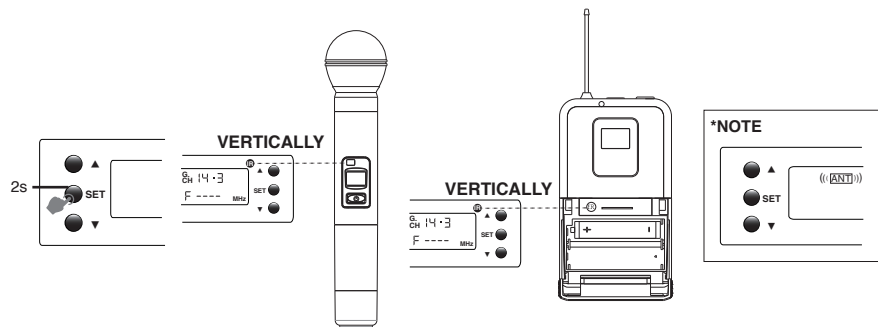
- ① Long press (2s) the SET button of the receiver to initiate the auto-scan function, which searches for the best frequency in the RF environment.
 - ② Wait until the new frequency appears on the screen.
- *NOTE:** For PWR-6000, press the “▲” up and “▼” down buttons to select the desired channel first. The selected channel will flash, and please press SET to confirm. Then follow the steps above.



Step 4: Pair up the receiver and transmitters

- ① One short press of the SET button again to initiate the IR synchronization.
- ② Vertically aim the IR window of a transmitter to that of the receiver.

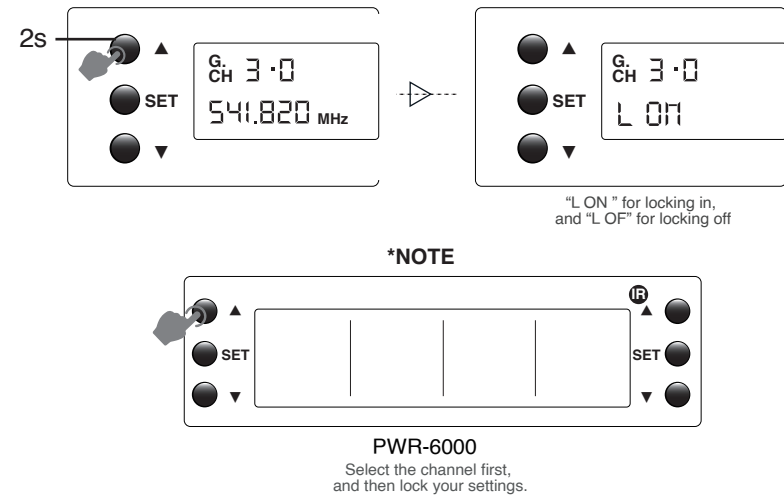
***NOTE:** The signal indicator “ANT” indicates the frequency is successfully synchronized. The audio indicator “((ANT))” flashes to indicate the frequency is receiving audio signals.



Optional step: Initiate the lock function

Long press the “▲” up button of the receiver for two seconds to lock your settings and to avoid a accidental touch.

***NOTE:** For PWR-6000, press the “▲” up and “▼” down buttons to select the desired channel first. The selected channel will flash, and please press SET to confirm. Then follow the step above.



Multiple system setup

You are suggested to use no more than 20 transmitters simultaneously (band and RF environment depend).

Turn on any other equipment that could cause interference during the performance so it will be detected during the group and channel scans in the following steps.

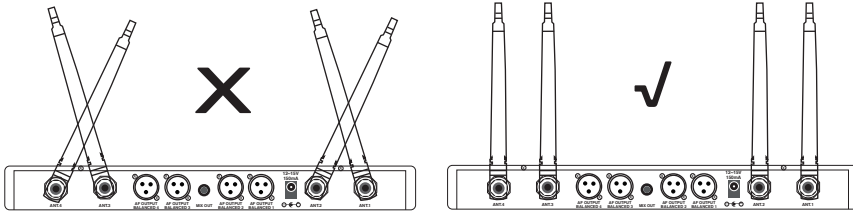
Before you begin system set up, turn all receivers ON and all transmitters OFF.

- ① Initiate the auto-scan function for a channel of a receiver.
- ② Turn on the first transmitter and pair it up with the receiver.
- ③ Repeat the above two steps until set up all channels.
- ④ Leave transmitters on and continue with additional systems according to the above three steps.

Wireless Tips

If you encounter wireless interference or dropouts, try the following suggestions:

- Replace the transmitter batteries.
- Choose a different frequency channel.
- Avoid approaching the receiver and transmitters with metal or other dense materials.
- Place the receiver as high as possible on the equipment rack.
- Remove any devices causing possible signal interference, such as cellphones, computers, media players, two-way radios, and digital signal processors.
- Keep transmitters more than 6 feet (two meters) apart.
- Mark trouble spots during soundcheck and inform performers to avoid those areas.
- Place antennas away from each other.



Troubleshooting

| ISSUE | INDICATOR STATUS | CORRESPONDING SOLUTION |
|--|--|--|
| No sound or faint sound | Receiver LCD screen off | <ul style="list-style-type: none"> • Make sure the DC adapter is securely plugged into an electrical outlet. • Make sure the receiver is powered on. |
| No sound or faint sound | Receiver LCD screen on | <ul style="list-style-type: none"> • Make sure the transmitter is successfully paired up with the receiver. You can see "ANT" on the receiver screen. • Make sure the transmitter successfully transmits audio signals. You can see "((ANT))" flashes on the receiver screen. Otherwise, replace batteries for the transmitter. If it does not work, replace the transmitter. Adjust volume controls of the receiver and speaker to proper levels. |
| Low battery | The battery indicator shows low battery status | <ul style="list-style-type: none"> • Replace fresh batteries for the transmitter. |
| A howling noise (also "feedback") from the speaker | | <ul style="list-style-type: none"> • Do not point the microphone directly to the speaker. And increase their distance. |

Specification

Specification

• Overall System

| | |
|---|---|
| Carrier frequency range (Depends on local regulations) | UHF 530 - 580 MHz |
| Frequency Stability | 0.003% |
| Dynamic Range | >105dB |
| Frequency response | 50Hz-18kHz |
| Audio Output Level | 1/4" interface: 0-500mV; XLR interface: 0-500mV |
| Working distance | 100m/328ft |
| XLR Interface | 0-500mV |
| Operating temperature | -10°C~+50°C |

• Receiver

| | |
|--------------------|--|
| Output impedance | XLR connector: 200Ω |
| RF sensitivity | -105dBm |
| Image rejection | >110dB |
| Spurious rejection | >90dB |
| Power | 5W |
| Power requirement | DC 12- 15V, Current: 300mA, External power adaptor |
| Dimension | 210mm x 160mm x45mm |
| Weight | 775g (27.3oz) |

• Handheld & Bodypack Transmitter

| | |
|--------------------|---|
| Modulation Mode | FM |
| Maximum Deviation | 75kHz |
| Handheld Dimension | 249mm x51 mm (9.8 x 2 in) |
| Handheld Weight | 306g (10.8oz) (without batteries) |
| Power Requirement | 2 AA alkaline batteries (for each transmitter) |
| Battery Life | At least 8 hours with original batteries included |

Technical Support & Warranty Information

• Frequency List

| | | |
|----------|-------------------------------|--|
| PWR-71 | Channel 1: 536.57 - 561.32MHz | Each channel has 100 frequencies with 0.25MHz increment. |
| | Channel 2: 562.37 - 587.12MHz | |
| PWR-7000 | Channel 1: 538.3 - 550MHz | Each channel has 40 frequencies with 0.3MHz increment. |
| | Channel 2: 554.8 - 566.5MHz | |
| | Channel 3: 571.3 - 583MHz | |
| | Channel 4: 587.8 - 597.4MHz | |
| PWR-6000 | Channel 1: 520.15 - 529.9MHz | Each channel has 40 frequencies with 0.25MHz increment. |
| | Channel 2: 530.3 - 540.05MHz | |
| | Channel 3: 540.9 - 550.65MHz | |
| | Channel 4: 551.2 - 560.95MHz | |
| | Channel 5: 561.5 - 571.25MHz | |
| | Channel 6: 571.8 - 581.55MHz | |
| | Channel 7: 582.3 - 592.05MHz | |
| | Channel 8: 592.5 - 602.25MHz | |

Our warranty to you:

Phenyx Technology ("Phenyx") warrants Phenyx products against evident defects in material and workmanship for a period of one year from the date of original purchase for use. This warranty is valid exclusively in the US and applies only to the original owner. If you discover a defect covered by this warranty, Phenyx will repair or replace the product at our sole discretion using new or refurbished components. Performance of repairs or replacements under this Warranty is subject to registration of your product at www.phenyxusa.com/registerproduct.

Product failures not covered by this warranty:

This warranty covers defects in manufacturing that arise from the correct use of the device. It is limited to defects in materials or workmanship and does not cover electrical or mechanical damage resulting from abuse, misuse, unauthorized modification, lack of reasonable care, extreme heat, cold, damage due to natural forces, or corrosive environments. This warranty does not cover the normal wear and tear on covers, housing, connectors, and accessories.

Limits of liability:

If your Phenyx product fails or does not perform as warranted, your sole recourse shall be to replace or repair it as described above. Phenyx will not be liable to you or anyone else for any damages that result from the failure of this product. These damages include, but are not limited to, the following: lost profits, lost savings, lost data, damage to other equipment, and incidental or consequential damages arising from the use of or inability to use this product. IN NO EVENT PHENYX SHALL BE LIABLE FOR MORE THAN THE AMOUNT OF YOUR PURCHASE PRICE, NOT TO EXCEED THE CURRENT LIST PRICE OF THE PRODUCT.

How to obtain service under this warranty:

If you are receiving a system that is defective or you have any questions regarding operation or warranty cover, please contact us at support@phenyxpro.com with any questions or concerns and a Phenyx Pro representative will contact you to provide assistance. You can also reach out to us through Facebook page: www.facebook.com/phenyxusa/ or our official website: www.phenyxpro.com