



PTM-10A | PTM-10B

Phenyx Pro PTM-10 Professional UHF Wireless
In Ear Monitoring System
-89 Selectable Frequency
-Ideal for Stage and Studio Use



www.phenyxpro.com
Designed in U.S Made in China

OWNER'S MANUAL

*Thank you for purchasing the
Phenyx Pro PTM-10 Wireless In Ear Monitoring System.
For the best results and the utmost satisfaction for your new unit,
please read this manual carefully to ensure proper operation,
and keep it for future reference. For more information,
please visit our store: www.phenyxpro.com.*

Table of Contents

4 - System Description

- Box Contents
- System Overview
- System Features
- Transmitters
- Receiver

7 - Operation Instructions

- Transmitter Setup And LCD Display
- Receiver Setup And LCD Display
- Operation

11 - Troubleshooting information & Specifications

12 - Warranty Information & Technical Support

Technical Support & Warranty Information

Our warranty to you:

Phenyx Technology ("Phenyx") warrants Phenyx products against evident defects in material and workmanship for a period of one year from the date of original purchase for use. This warranty is valid exclusively in the US and applies only to the original owner. If you discover a defect covered by this warranty, Phenyx will repair or replace the product at our sole discretion using new or refurbished components. Performance of repairs or replacements under this Warranty is subject to registration of your product at www.phenyxusa.com/registerproduct.

Product failures not covered by this warranty:

This warranty covers defects in manufacturing that arise from the correct use of the device. It is limited to defects in materials or workmanship and does not cover electrical or mechanical damage resulting from abuse, misuse, unauthorized modification, lack of reasonable care, extreme heat, cold, damage due to natural forces, or corrosive environments. This warranty does not cover the normal wear and tear on covers, housing, connectors, and accessories.

Limits of liability:

If your Phenyx product fails or does not perform as warranted, your sole recourse shall be to replace or repair it as described above. Phenyx will not be liable to you or anyone else for any damages that result from the failure of this product. These damages include, but are not limited to, the following: lost profits, lost savings, lost data, damage to other equipment, and incidental or consequential damages arising from the use of or inability to use this product. IN NO EVENT PHENYX SHALL BE LIABLE FOR MORE THAN THE AMOUNT OF YOUR PURCHASE PRICE, NOT TO EXCEED THE CURRENT LIST PRICE OF THE PRODUCT.

How to obtain service under this warranty:

If you are receiving a system that is defective or you have any questions regarding operation or warranty cover, please contact us at support@phenyxpro.com with any questions or concerns and a Phenyx Pro representative will contact you to provide assistance. You can also reach out to us through Facebook page: www.facebook.com/phenyxusa/ or our official website: www.phenyxpro.com

Troubleshooting Information

If you are receiving a system that is defective or you have any questions regarding operation or warranty cover, please contact us immediately for help and consultancy. You can reach us via email, official website, Facebook Messenger, or Amazon.

Email: support@phenyxpro.com

Website: www.phenyxpro.com

Facebook Page: <https://business.facebook.com/phenyxusa/>

Specifications

• Overall System

Frequency range	902-928MHz (Depends on local regulations)
Transmitter Output Level	10dBm
Dynamic range	> 105dB
Operation temperature	-10°C to +50 °C
Frequency response	60Hz - 16kHz
Dynamic Range	>90dB A-weighted
Stereo Separation	>40dB
Working distance	50M/164Ft

• Transmitter

Frequency range	+6dBV
Gain Adjustment Range	40dB
Input Impedance	6.8KΩ
Dimensions	44mm H * 200mm W * 96mm D
Weight	600g
Power Requirement	DC 12 – 18V, Current 300mA, External power adapter.

• Bodypack Receiver

Audio Input Level	100mV
Image Rejection	>65dB
Dimensions	90mm H* 65mm W* 24mm D
Power requirement	2 AA size alkaline batteries
Battery life	At least 8 hours with original batteries for each transmitter

System Description

Box Contents

- UHF wireless transmitter with balanced input x 1
- Antenna x 1
- 13 - 15V DC adapter, 500mA x 1
- Metal rackmount kit (extension cord and adapter) x 1
- Carrying case x 1
- User's manual x 1

PTM-10A:

- Bodypack receiver x 1
- Earbud x 1
- 1.5V AA Battery x 2

PTM-10B:

- Bodypack receiver x 3
- Earbud x 3
- 1.5V AA Battery x 6

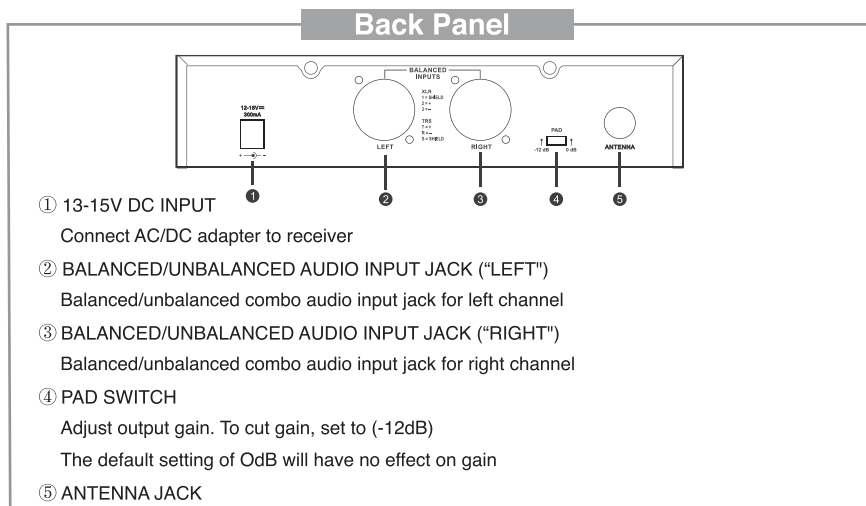
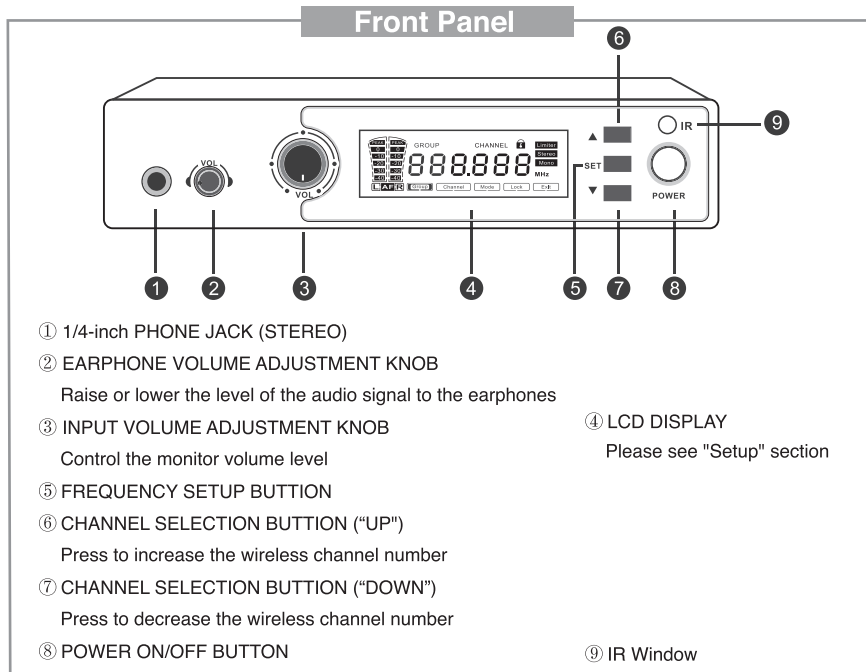
System overview

Phenyx Pro Professional UHF Wireless In-ear Monitor System is a practical solution to block out excess stage noise and provide consistent sound whenever you go on stage, enabling uncluttered set designs, increasing freedom of movement, and enhancing sound performance. This system uses advanced circuit design to make the system's receiving signal steady and improve the anti-interference function to show the perfect original sound again.

System features

- UHF band frequencies
- Mono mode or stereo mode, two selections
- Integrated antenna for effective RF output and high transmission quality
- Low battery indicator on the receiver
- Lock feature to lock system in specific group/channel
- Metal rackmount kit included to provide professional option
- Black PVC carrying case to protect system while in transit
- Clear, pure, distortion free sound performance

Transmitters



Operation

A - Remove packing material

B - Set up the PTM-10 receiver

1. Open the battery cover of the bodypack receiver and place two 1.5V AA batteries into the battery housing with the batteries polarity orientations as indicated.
2. Plug the supplied earphones into the earphone output jack on the bodypack receiver.
3. Turn on the power of the bodypack receiver.
The LCD display will display the current state of the receiver.

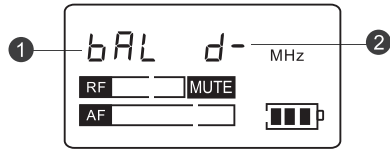
C - Set up the PTM-10 transmitter

1. Place the transmitter at least 3.5ft (1 meter) away from the ground and all walls. Also, keep the transmitter as far away as possible from any electromagnetic noise sources.
2. Mount the antenna onto the antenna jack.
3. Plug the AC/DC adapter to the transmitter's DC input, and then plug the AC input of the adapter to a 120V AC outlet (North America).
4. Turn on the transmitter and use SET button to enter menu and select desired frequency and operating mode.

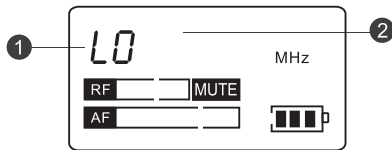
D - Set up the PTM-10 In Ear Monitoring System

1. Pair up the receiver to transmitter by aligning the IR window on the bodypack and the base unit. The frequency will synchronize within seconds.
2. Refer to "Receiver Setup and LCD Display" section above to select desired operating mode and function.
3. Enjoy reliable and beyond-expectation wireless sound monitoring performance.

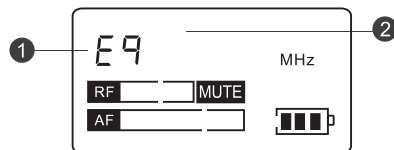
Receiver Setup And LCD Display



- ① BAL Function: Balance function. When the receiver is in frequency display status, short press SET button to enter balance function menu, which can adjust the volume of left/right channel.
- ② Left/right channel volume display: Press SET button to increase left channel and press ADD button to increase right channel.



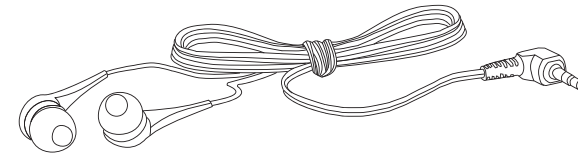
- ① LO Function: Lock function. Lock the selected frequency on the receiver.
- ② Press ADD button to select ON/OFF



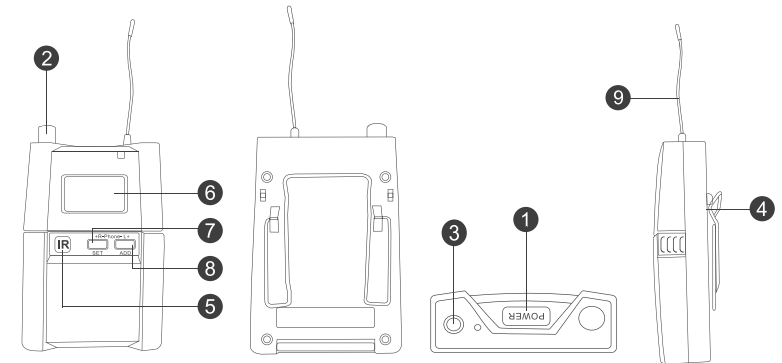
- ① Eq Function: Equalizer function. Adjust the tone/pitch of the music sound.
- ② Press ADD button to select ON/OFF. When it is in OFF mode, the receiver is in normal mode and would not adjust the tone/pitch of the music sound regardless of the strength of volume. When it is in ON mode, the receiver is in "increase tone/pitch" mode.

Receiver

Good quality earphone for PTM-10 system



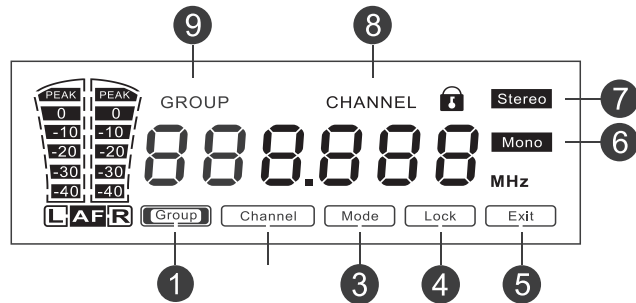
Bodypack



- ① ON/OFF power switch
- ② Volume Control
- ③ Earphone Jack
- ④ Belt Clip
- ⑤ IR Window
- ⑥ LCD display
- ⑦ SET Button – Confirm or select menu
- ⑧ ADD Button – Select menu
- ⑨ Antenna

Operation Instructions

Transmitter Setup And LCD Display



① GROUP SELECTION

Press "SET" button until "Group" selection ① flashes.

Press Up or Down menu to select suitable frequency group number.

② CHANNEL SELECTION

Press "SET" until "Channel" selection

② flashes. Press Up or Down menu to select suitable channel.

③ MODE SELECTION

Hold and press "SET" button until "Mode" selection

③ flashes. Press Up menu to select Stereo ⑦ or Mono ⑥ operating mode.

When the stereo function is enabled, the transmitted audio signal is stereophonic. When the mono function is enabled, the transmitted audio signal is in mono.

④ LOCK FUNCTION

Hold and press "SET" button until "Lock" flashes. Press Up menu to select Lock or Unlock. If the frequency is locked, you cannot change the frequency no matter what button you press.

⑤ EXIT

Hold and press "SET" button until "Exit" flashes, exit the setting operation.

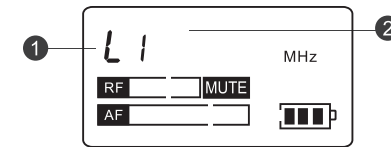
⑥ MONO MODE

⑧ CHANNEL DISPLAY

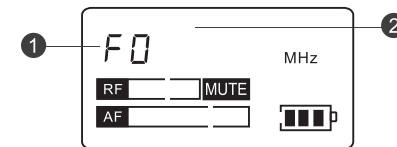
⑦ STEREO MODE

⑨ GROUP DISPLAY

Receiver Setup And LCD Display



- ① L1 Function: Limiter function. When long press SET, you can enter the function menu. L1 means limiter function, which prevents the sound to be distorted when you turn up the volume to be very high. However, it changes the music dynamic and might affect the trueness of the sound.
- ② Press ADD button and you can select ON/OFF for the L1 function.



- ① FO Function: Stereo/mono selection. When long press SET, you can enter the function menu. FO means stereo/mono selection, while OFF means stereo mode and ON means mono mode for the receiver. *The stereo/mono mode need to match the mode selection on the transmitter (base unit).
- ② Press ADD button and you can select ON/OFF for the FO function.



- ① Frequency Display: Press SET button on transmitter (base unit) to enter GROUP and CHANNEL selection menu to select desired frequency, then press SET until "IR-----" shown on the LCD screen. Aim the IR window of the receiver to the IR window of the transmitter, and the pair up will be finished within seconds. Frequency will display on the LCD screen of the receiver (bodypack) as well.
- ② RF Indicator: Show the strength of signal.
- ③ AF Indicator: Show the strength of audio output.
- ④ Low Battery Indicator: Please install fresh batteries when the battery is low