



PDP-1/2 Series

DIGITAL PORTABLE SERIES

Wireless Microphone System (Single / Dual)



OWNER'S MANUAL

Thank you for purchasing the Phenyx Pro PDP-1/2 Series.
 For the best results and the utmost satisfaction for your new unit,
 please read this manual carefully to ensure proper operation,
 and keep it for future reference. For more information,
 please visit our store: www.phenyxpro.com

Table of Contents

System Description1	Operation Guidance4
System overview.....1	Step 1: Power up and pair up the receiver and transmitters.....4
System features.....1	Step 2: Link up with the sound system.....4
System components.....1	WirelessTips4
Functions of Parts2	Troubleshooting5
Receiver.....2	Specification6
Transmitters.....3	Technical Support & Warranty Information7

SYSTEM DESCRIPTION

System overview

Phenyx Pro always adheres to the mission of inspiring people to achieve next-level sound performance and exploring better techniques to enhance the wireless experience. The PDP-1/2 series is our new digital solution that balances convenience and professionalism. With adjustable UHF frequency design, it boasts advanced digital circuitry for noise immunity and delivers stellar sound for small-scale indoor and outdoor performances. This is a go-to audio solution for weddings, church sermons, karaoke, broadcast, meetings, etc.

System features

- 48kHz/24Bit UHF digital circuitry transmits encrypted signals to avoid signal crosstalk and deliver pure fidelity sound.
- Tunable frequency design makes the system fearless to interference.
(US version has 15 frequencies for each transmitter. EU version has 5 frequencies for each transmitter.)
- The dynamic cardioid microphone delivers stable performance.
- Rock-firm wireless coverage is up to 200ft without interference.
- Transmitter mute function for your convenience and safety.
- Plug-and-go hookup. One-tap frequency selection from the transmitter.
- Available to link up several units simultaneously.
- The portable receiver and bodypack transmitter with the universal USB Type-C charging port offers ultimate convenience and fast charging.
- 1500mAh battery of receiver and 550mAh battery of bodypack transmitter for long-lasting battery life.
- The whole system is durable-metal built with elegant silver color.

System component

Receiver

PWR-P1	Single wireless rechargeable receiver
PWR-P2	Dual wireless rechargeable receiver

Transmitters

PWH-P	Handheld transmitter
PWB-P	Bodypack transmitter

Accessories

1HM1LM-BLK	Black headset & lapel mic combo
	Angle TS male to 1/4" TS female adapter
	6.35mm to 3.5mm adapter
	USB-C charging cable
	Microphone foam cover
	AA batteries
	User's manual

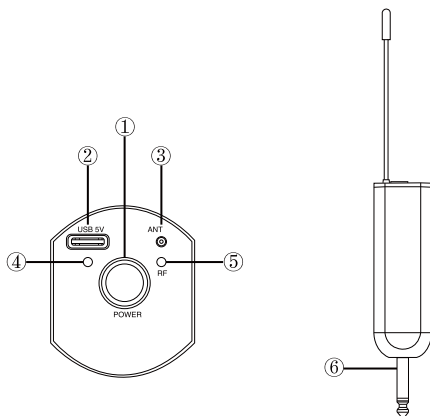
FUNCTIONS OF PARTS

Receiver

PWR-P1/2

The PWR-P1 receives the signal from only one transmitter, which should be in CHA. It can not receives the signal from a transmitter in CHB.

The PWR-P2 can receive signals from two transmitters which should be in CHA and CHB.



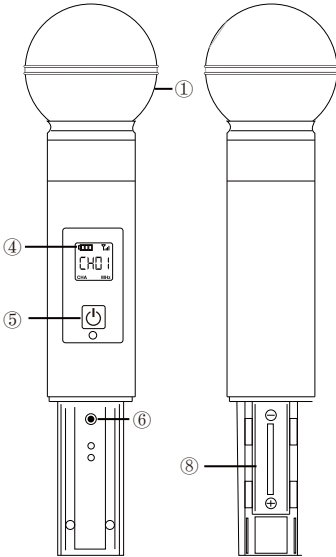
- ① Power/Pair button: Long press this button for 2 seconds to turn on/off the receiver, and tap it to initiate synchronization with the transmitter.
- ② USB-C port: The USB-C charging port for the receiver.
- ③ Antenna: For better signal reception, please keep it upward while using.
- ④ Battery indicator: It doesn't light up when the receiver is turned on with enough battery. And it will turn red and flash quickly when the receiver is in the low battery status. While charging, the indicator will stay red; then, it will turn off when the receiver is fully charged.
- ⑤ RF indicator: It stays on, indicating the receiver is receiving signals. When it flashes slowly, the receiver is not paired up with the transmitter; while flashing quickly, the receiver and transmitter are successfully synced.

***NOTE: If you want to verify whether the second transmitter of the PDP-2 is synced, please make sure both transmitters are in different channels and that the RF indicator flashes quickly and then stays on when you turn on each one. Also, you'd better do a soundcheck for both transmitters to confirm the successful synchronization.**

- ⑥ 6.35mm TS connector: It is compatible with the 6.35mm TS jack of an audio mixer, amplifier or other devices to output the audio signal received from the transmitter.

Transmitters

Handled transmitter PWH-P



① Microphone capsule

***NOTE:** Please make sure the sound source is toward the capsule.

② Bodypack antenna

③ Mini 3-pin XLR jack: Connect a headset/lapel microphone.

④ LCD display: It shows real-time battery indicator, frequency number and channel number. The screen shows "----" when the transmitter is stand by.

⑤ Power button: Long press this button for 2 seconds to turn on/off the transmitter.

***NOTE:** For handheld mic, tap this button to mute the mic. The LCD screen flashes when the transmitter is muted.

⑥ CH button: Tap this button to adjust the channel frequency.

***NOTE:** For the detailed frequency, please check it on the frequency list on page 6.

⑦ Mute button: Tap this button to mute the bodypack. The LCD screen flashes when the transmitter is muted.

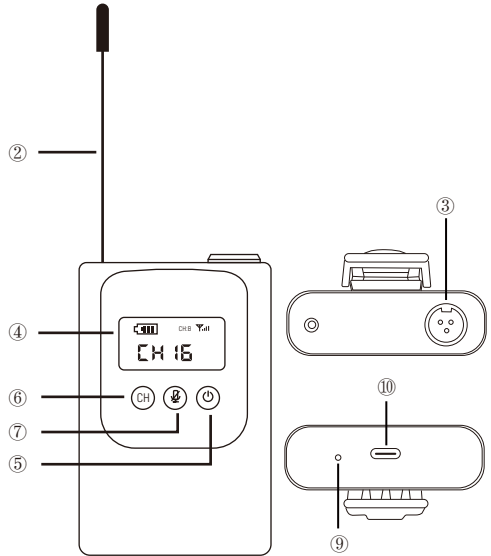
⑧ Battery compartment: Install AA batteries with the correct polarity to charge the handheld mic.

⑨ USB-C port: The USB-C charging port for the bodypack transmitter.

⑩ Power indicator: It lights red when the bodypack transmitter is charging and turns blue when fully charged.

***NOTE:** It doesn't light up when the bodypack isn't charged to the USB-C charger.

Bodypack transmitter PWB-P



OPERATION GUIDANCE

Step 1: Power up and pair up the receiver and transmitters

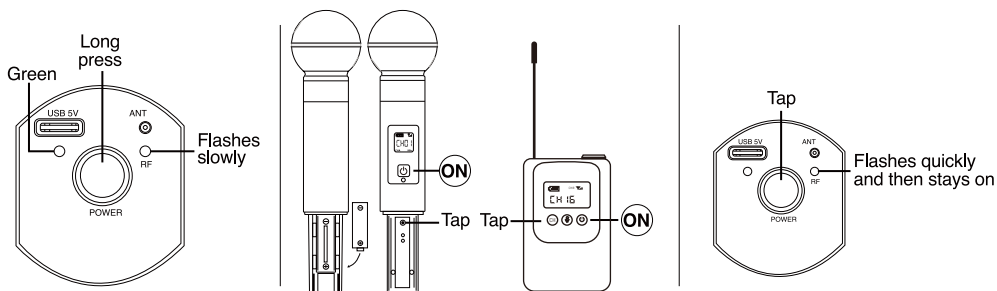
- ① Make sure the receiver is fully charged before using it.
- ② Long press the power button of the receiver for 2 seconds to turn it on.
- ③ For the handheld mic, unscrew the battery cover of the transmitter and install fresh batteries with the correct polarity.
For the bodypack transmitter, make sure it is fully charged.
- ④ Long press the power button of the transmitter for 2 seconds to turn it on.

***NOTE: The LCD screen of the transmitter shows “----” in standby mode.**

- ⑤ Tap the CH button of the transmitter to select the desired frequency.

***NOTE: A frequency accommodates only one wireless channel. Please ensure that the frequencies of each transmitter are different from each other.**

- ⑥ Tap the power/pair button of the receiver to pair it up with the transmitter.
- ⑦ Check the indicators of the receiver to ensure effective synchronization.
- ⑧ When pairing up the second transmitter for the PDP-2 system, please make sure to select a different frequency from the first one and follow the procedures above.

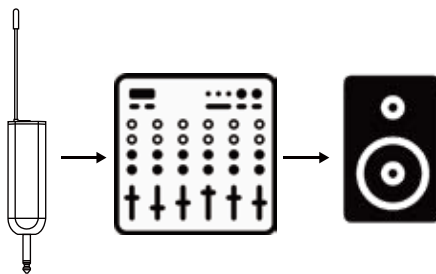


Step 2: Link up with the sound system

- ① Make sure the gain and volume for input channels of the mixer/party box/karaoke machine are set to the minimum.
- ② Insert the receiver into the 1/4" input jack of the mixer/party box/karaoke machine to output the sound.

***NOTE: Make sure the antenna keeps all the way upward. If it does not, please use the angle TS adapter included in the package for it.**

- ③ Adjust the gain and volume to ensure effective audio output.



WIRELESS TIPS

If you encounter wireless interference or dropouts, try the following suggestions:

- Replace the transmitter batteries.
- Make sure the battery of the receiver is sufficient.
- Choose a different frequency channel.
- Avoid approaching the receiver and transmitters with metal or other dense materials.
- Place the receiver as high as possible on the equipment rack.
- Remove any devices causing possible signal interference, such as cellphones, computers, media players, two-way radios, and digital signal processors.
- Keep transmitters more than 6 feet (two meters) apart.

TROUBLESHOOTING

ISSUE	INDICATOR STATUS	CORRESPONDING SOLUTION
No sound or faint sound	Receiver is turned off	<ul style="list-style-type: none"> • Make sure the receiver is powered on. • Check if the battery of the receiver is sufficient; otherwise, charge it to ensure its battery indicator lights green while you are using it.
	Receiver is turned on	<ul style="list-style-type: none"> • Make sure the transmitter isn't muted (the screen isn't flashing). • Make sure the transmitter is successfully paired up with the receiver. You can see the RF signal indicators of the receiver to confirm it. • Adjust the gain and volume of the next stage equipment (mixer/amplifier) to proper levels.
Low battery	The battery indicator shows low battery status	<ul style="list-style-type: none"> • Replace fresh batteries for the transmitter. • Charge the receiver via a USB-C cable.
A howling noise (also "feedback") from the speaker		<ul style="list-style-type: none"> • Do not point the microphone directly to the speaker and increase their distance. • Do not fully cover the microphone capsule with your hands while talking or singing. • Do not set too much gain for the microphone.
Pair up with a new transmitter		<p>The original system is automatically paired up before delivery. But if you need to pair up a transmitter to the receiver, please follow the below steps.</p> <ul style="list-style-type: none"> • Check if the new transmitter is in the channel (A or B) you would like to replace. Otherwise, switch its channel to CHA or CHB <p>*NOTE: The PWR-P1 receiver only has CHA to operate, while the PWR-P2 have CHA and CHB.</p> <ul style="list-style-type: none"> • Make sure the receiver and any other transmitters are off. • Turn off the transmitter you desired to pair it up. Long press the power button and CH button together for about 4 seconds until the screen shows "CH00". • Turn on the receiver and the RF indicator flashes slowly. • Wait for 2 seconds and then tap the CH button. If the RF indicator stays on, the transmitter is successfully synced.
Switch the channel of a transmitter		<ul style="list-style-type: none"> • Make sure the receiver and any other transmitters are off. • Turn on the transmitter you desire to switch channel. Long press the power button and CH button together for about 5 seconds to switch CHA to CHB or vice versa. <p>*NOTE: The LCD screen would show "U272" (for the handheld mic) or "U291" (for the bodypack) before the channel number is switched.</p> <ul style="list-style-type: none"> • After the channel switch process, you have to pair up the transmitter with the receiver for operation. <p>*NOTE: Please initiate the channel switch function only when necessary.</p>

SPECIFICATION

PWR-P1/2 Wireless Receiver

Operating temperature	0°C to +55°C
Battery capacity	1500mAh
Output	TS 1/4" Male Output
Charging interface	USB-C
Power supply	DC 5V 500mA

PWR-P Bodypack Transmitter

Headset/lapel mic type	Condenser
Polar pattern	Omni
Sensitivity	Headset mic: -36dB (±2dB)
	Lapel mic: -30dB (±2dB)
S/N ratio	96dB
Frequency response	110Hz-18kHz
Output impedance	2.2kΩ
Sample rate	48kHz
Bit rate	24bit
THD+N	0.1%
Charging interface	USB-C
Charging time	About 2h
Working time	About 5.5h

PWH-P Handheld Transmitter

Mic type	Dynamic
Polar pattern	Cardioid
S/N ratio	96dB
Frequency response	50Hz-16kHz
Output impedance	600Ω
Sample rate	48kHz
Bit rate	24Bit
THD+ N	0.05%

Frequency List

* For the single wireless system, the transmitter operates in CHA. For the dual wireless system, one transmitter operates in CHA; the other operates in CHB. Frequencies vary from country to country.

US				EU			
CHA		CHB		CHA		CHB	
CH01	902.8 MHz	CH16	915.6 MHz	CH01	823.0 MHz	CH06	827.8 MHz
CH02	903.6 MHz	CH17	916.4 MHz	CH02	823.8 MHz	CH07	828.6 MHz
CH03	904.4 MHz	CH18	917.2 MHz	CH03	824.6 MHz	CH08	829.4 MHz
CH04	905.2 MHz	CH19	918.0 MHz	CH04	825.4 MHz	CH09	830.2 MHz
CH05	906.0 MHz	CH20	918.8 MHz	CH05	826.2 MHz	CH10	831.0 MHz
CH06	906.8 MHz	CH21	919.6 MHz				
CH07	907.6 MHz	CH22	920.4 MHz				
CH08	908.4 MHz	CH23	921.2 MHz				
CH09	909.2 MHz	CH24	922.0 MHz				
CH10	910.0 MHz	CH25	922.8 MHz				
CH11	910.8 MHz	CH26	923.6 MHz				
CH12	911.6 MHz	CH27	924.4 MHz				
CH13	912.4 MHz	CH28	925.2 MHz				
CH14	913.2 MHz	CH29	926.0 MHz				
CH15	914.0 MHz	CH30	926.8 MHz				

TECHNICAL SUPPORT & WARRANTY INFORMATION

Our warranty to you:

Phenyx Technology (“Phenyx”) warrants Phenyx products against evident defects in material and workmanship for a period of one year from the date of original purchase for use. This warranty is valid exclusively in the US and applies only to the original owner. If you discover a defect covered by this warranty, Phenyx will repair or replace the product at our sole discretion using new or refurbished components. Performance of repairs or replacements under this Warranty is subject to registration of your product at www.phenyxusa.com/registerproduct.

Product failures not covered by this warranty:

This warranty covers defects in manufacturing that arise from the correct use of the device. It is limited to defects in materials or workmanship and does not cover electrical or mechanical damage resulting from abuse, misuse, unauthorized modification, lack of reasonable care, extreme heat, cold, damage due to natural forces, or corrosive environments. This warranty does not cover the normal wear and tear on covers, housing, connectors, and accessories.

Limits of liability:

If your Phenyx product fails or does not perform as warranted, your sole recourse shall be to replace or repair it as described above. Phenyx will not be liable to you or anyone else for any damages that result from the failure of this product. These damages include, but are not limited to, the following: lost profits, lost savings, lost data, damage to other equipment, and incidental or consequential damages arising from the use of or inability to use this product. **IN NO EVENT PHENYX SHALL BE LIABLE FOR MORE THAN THE AMOUNT OF YOUR PURCHASE PRICE, NOT TO EXCEED THE CURRENT LIST PRICE OF THE PRODUCT.**

How to obtain service under this warranty:

If you are receiving a system that is defective or you have any questions regarding operation or warranty cover, please contact us at support@phenyxpro.com with any questions or concerns and a Phenyx Pro representative will contact you to provide assistance. You can also reach out to us through our Facebook page: www.facebook.com/phenyxusa/ or our official website: www.phenyxpro.com