

 **PHENYX PRO**®

# PTU-5200

Phenyx Pro PTU-5200 4-Channel UHF  
Wireless Microphone System  
Featuring 4 x 25 Adjustable Frequency Sets



 **PHENYX PRO**®

[www.phenyxpro.com](http://www.phenyxpro.com)

Designed in U.S Made in China

**OWNER'S MANUAL**



# Technical Support & Warranty Information

## Our warranty to you:

Phenyx Technology (“Phenyx”) warrants Phenyx products against evident defects in material and workmanship for a period of one year from the date of original purchase for use. This warranty is valid exclusively in the US and applies only to the original owner. If you discover a defect covered by this warranty, Phenyx will repair or replace the product at our sole discretion using new or refurbished components. Performance of repairs or replacements under this Warranty is subject to registration of your product at [www.phenyxusa.com/registerproduct](http://www.phenyxusa.com/registerproduct).

## Product failures not covered by this warranty:

This warranty covers defects in manufacturing that arise from the correct use of the device. It is limited to defects in materials or workmanship and does not cover electrical or mechanical damage resulting from abuse, misuse, unauthorized modification, lack of reasonable care, extreme heat, cold, damage due to natural forces, or corrosive environments. This warranty does not cover the normal wear and tear on covers, housing, connectors, and accessories.

## Limits of liability:

If your Phenyx product fails or does not perform as warranted, your sole recourse shall be to replace or repair it as described above. Phenyx will not be liable to you or anyone else for any damages that result from the failure of this product. These damages include, but are not limited to, the following: lost profits, lost savings, lost data, damage to other equipment, and incidental or consequential damages arising from the use of or inability to use this product. IN NO EVENT PHENYX SHALL BE LIABLE FOR MORE THAN THE AMOUNT OF YOUR PURCHASE PRICE, NOT TO EXCEED THE CURRENT LIST PRICE OF THE PRODUCT.

## How to obtain service under this warranty:

If you are receiving a system that is defective or you have any questions regarding operation or warranty cover, please contact us at [support@phenyxpro.com](mailto:support@phenyxpro.com) with any questions or concerns and a Phenyx Pro representative will contact you to provide assistance. You can also reach out to us through Facebook page: [www.facebook.com/phenyxusa/](http://www.facebook.com/phenyxusa/) or our official website: [www.phenyxpro.com](http://www.phenyxpro.com)

*Thank you for purchasing the  
PHENYX PRO PTU-5200 4-CHANNEL UHF  
WIRELESS MICROPHONE SYSTEM.*

*This manual includes a description of features  
and a step-by-step guide to operate this unit.*

*Please read this manual carefully to ensure proper use and operation,  
and keep this for future reference.*

## Table of Contents

### 4 - System Description

- Box Contents
- System Overview
- Receiver
- Transmitters

### 8 - Operation Instructions

- Setup
- Operation

### 9 - Specifications

### 10 - Warranty Information & Technical Support

# System Description

## Box Contents

- 1 x 4-Channel wireless receiver
- 2 x Antennas
- 8 x AA batteries
- 1 x Power adapter
- 1 x Audio cable
- 1 x User's manual

PTU-5200A:

- 4 x Wireless handheld microphones
- 4 x Anti-rolling rings

PTU-52000B:

- 2 x Wireless handheld microphones
- 2 x Wireless bodypack
- 2 x Headset microphones
- 2 x Lavalier microphones
- 2 x Anti-rolling rings

## System Overview

The Phenyx Pro PTU-5200 system is another step toward achieving the convenience and excellent sound quality that every performer dreams about. It combines quality sound, simple setup, and intuitive interface for excellent audio performance right out of the box. The cardioid polar pattern of the microphone capsule effectively capture and transmit sound without feedback and unwanted ambient noise. The system is equipped with 25 selectable frequency sets that allows up to 25 systems to be used at the same time (to achieve best result, please do not use more than 10 units simultaneously). The PTU-5200 is ideal for public speaking, conference meeting, singing, churches and outdoor events. Operating distance is up to 200 ft in wide open space.

## Specifications

Frequency range	500MHz - 590MHz
Frequency stability	<±30 ppm
Audio dynamic range	> 90dB
T.H.D	< 0.5%
Frequency response	40Hz~15KHz±3dB
Output plug	XLR balance , 1/4" unbalance plug
output voltage	1/4" 0-500mV
Operation temperature	-10°C--+50°C

• **Receiver**

Antenna jack	BNC50Q
Rated power	4W
S/N.	>95dB(1KHz-A)
mirror frequency rejection	> 80dB
Battery Requirement	> 80dB
RF sensitivity	> 7dBu
Power voltage	DC13.5V, power adapter

• **Transmitter**

RF output power	≤10mW
Modulation mode	FM
Frequency adjustment mode	automatic frequency adjustment
Maximum frequency	75KHz
Battery life	8 hours



# Operation Instructions

## Setup

- 1 - Install fresh batteries in the transmitters (refer to the section relative to the specific transmitter you are using)
- 2 - Connect the AC power adapter to a wall outlet and to the back of the receiver
- 3 - Screw antenna A,B in, and position them 60 degrees apart from each other
- 4 - Connect one of the three outputs available at the back panel to the next stage of your system. Typically, use the 1/4" output to connect to unbalanced equipment such as consumer level receivers, amplifiers, and mixers. Connect to professional equipment using the XLR outputs (cable not included)
- 5 - Making sure the volume of your speakers is off, turn on the receiver and the transmitters. The LCD display turns on and the "MUTE" disappears, indicating that the corresponding transmitter is paired with the receiver. The AF signal indicates the presence of an audio signal coming from the transmitter
- 6 - Unscrew the battery compartment and press SET button to adjust frequency. The LCD display on the receiver will change accordingly and pair up with the transmitter automatically. Please aim the microphone transmitter to the receiver and the distance between them should not be more than 4ft away receiver and the distance between them should not be more than 10ft away
- 7 - Turn The volume of your speaker back on and start increasing the volume of the transmitters until proper volume is achieved

## Tips

### 1.Change frequency

Short press the SET button to change the frequency. The MUTE symbols might be on during the process. Wait for one second and it will disappear.

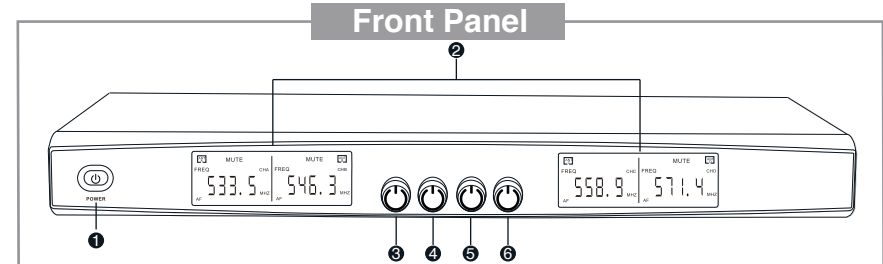
### 2.Change the microphone's channel group

Turn the microphone off. Turn the microphone on by long pressing the ON/OFF button. When the microphone is on, you will see the there are "A 01" symbols on the display, which means the microphone is set to channel A with frequency set 01. Do not release the ON/OFF button and keep holding for 5 more seconds, then the symbols will change to "b 01", which means that microphone has switch to channel B.

### 3.Lock the microphone with a specific channel.

When the microphone is switched to a new channel, it will not automatically connect. You would need to lock the microphone with the new channel so that it will connect to the receiver. Turn off the microphone once you change the channel group by following the instruction above. Put the transmitter closer to the receiver. The turn on microphone by holding the SET button (inside the battery compartment) and the ON/OFF button at the same time. Hold it for 5 seconds and there will be "---" dash lines symbols on the screen, which means the microphone is pairing with the receiver. Once the dash line disappears, it means the pairing process is completed. Check the receiver's channel display and if the MUTE sign disappears, it means the paring is successful and system is ready to go.

## Receiver For PTU-5200



### ① Power Button

Press and hold the button for 1 sec to turn on the receiver. Press again to turn it off.

### ② LCD display

### ③ Volume 1 Control

Adjust the volume of CH A output

### ④ Volume 2 Control

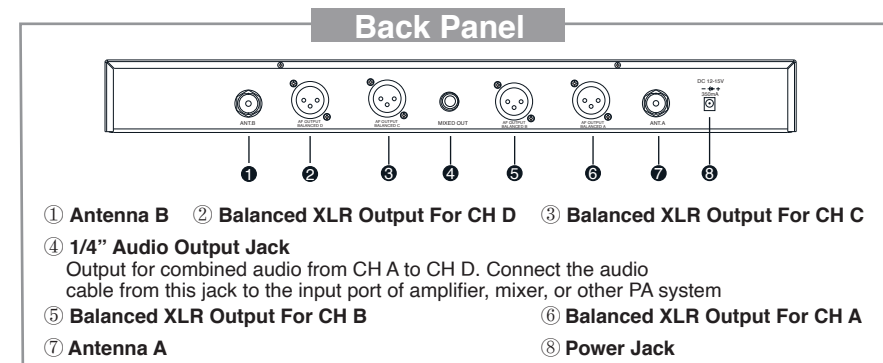
Adjust the volume of CH B output

### ⑤ Volume 3 Control

Adjust the volume of CH C output

### ⑥ Volume 4 Control

Adjust the volume of CH D output



### ① Antenna B ② Balanced XLR Output For CH D ③ Balanced XLR Output For CH C

### ④ 1/4" Audio Output Jack

Output for combined audio from CH A to CH D. Connect the audio cable from this jack to the input port of amplifier, mixer, or other PA system

### ⑤ Balanced XLR Output For CH B

### ⑥ Balanced XLR Output For CH A

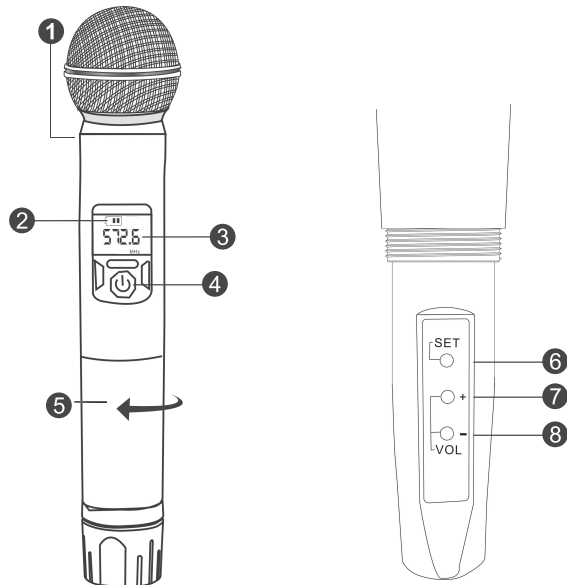
### ⑦ Antenna A

### ⑧ Power Jack

## Transmitters

### Handheld Microphone

- ① **Microphone capsule**
- ② **LCD battery power display**
- ③ **LCD frequency & channel display**
- ④ **ON/OFF/MUTE switch**  
Press this switch to turn on, turn off or mute the microphone.
- ⑤ **Battery cover**
- ⑥ **SET button**  
Press SET button to change frequency of the handheld mic
- ⑦ **Volume increase**  
Press "+" to increase volume of the handheld mic
- ⑧ **Volume decrease**  
Press "-" to decrease volume of the handheld mic

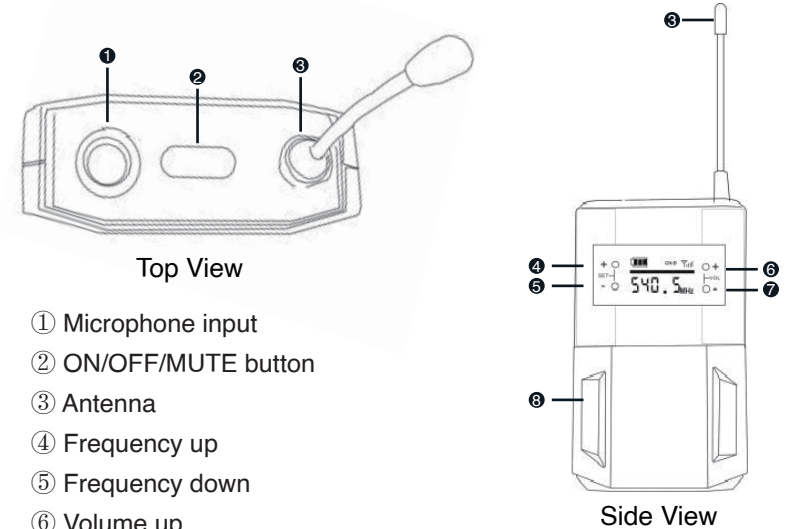


If the battery power icon indicates that the battery power is low, the batteries must be replaced to maintain normal operation. Unscrew battery cover and press SET button to change frequency of the handheld microphone. The receiver will automatically pair up with the handheld within seconds (pairing distance is less than 4ft).

## Transmitters

### Bodypack

The Phenyx UHF bodypack is to be used with the Phenyx lavalier microphone & headsets.



- ① Microphone input
- ② ON/OFF/MUTE button
- ③ Antenna
- ④ Frequency up
- ⑤ Frequency down
- ⑥ Volume up
- ⑦ Volume down
- ⑧ Battery compartment

#### Set Up :

- 1 - Secure the bodypack to clothing, belt or pocket.
- 2 - (a) For a lavalier microphone, dip the microphone to clothing about 1 foot under the mouth. (b) For a headset, install headset comfortably on head so the microphone can be placed close to the mouth.
- 3 - Connect the microphone audio connector to the bodypack microphone input(1)
- 4 - Turn the bodypack on by pressing the the ON/OFF/MUTE button.