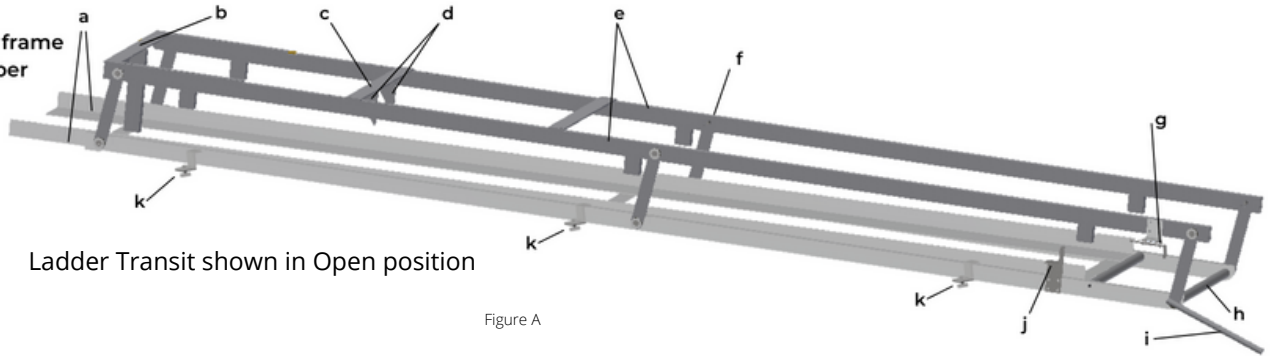


The Ladder Transit

Knowing your Ladder Transit

- a. ladder rails
- b. adjustable striker bar frame
- c. rung lock cross member
- d. rung locks
- e. top rails
- f. gas strut
- g. safety catch
- h. end roller
- i. handle
- j. safety catch latch
- k. Z brackets



You'll Need

- 17mm spanner
- set of Allen keys
- an A-frame ladder (to reach the bolt down points)
- existing and installed uni-strut style roof racks

Install Summary

STEP 1 - Remove the Rung Lock Cross Member

STEP 2 - Ensure the Ladder Transit is in closed position, and the adjustable striker bar frame is in the retracted position

STEP 3 - Place the Ladder Transit on the existing roof racks in the preferred position on the vehicle, with the handle at the rear, ensuring to leave clearance for the rear door to open and close.

STEP 4 - Using the supplied Z brackets, bolt the Ladder Transit to AT LEAST TWO roof rack cross members, using two Z brackets for each roof rack cross member (one bracket on each side of the Ladder Transit).

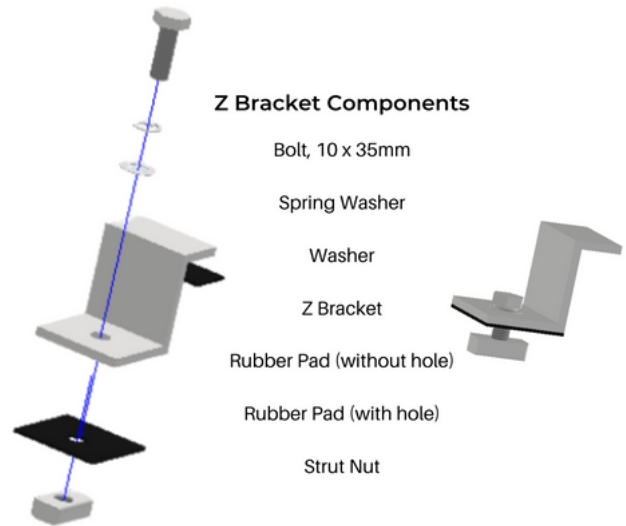
STEP 5 - Open the Ladder Transit, by pulling the safety catch open while simultaneously pulling downwards on the handle.

STEP 6 - Load your ladder by pushing it firmly into the Ladder Transit maintaining continuous momentum until the Ladder Transit collapses shut. Visually confirm that the safety catch has latched under the latch plate.

STEP 7 - Adjust placement of front striker bar frame if required (if ladder needs to load 'deeper' into the Ladder Transit, EXTEND the adjustable front striker bar).

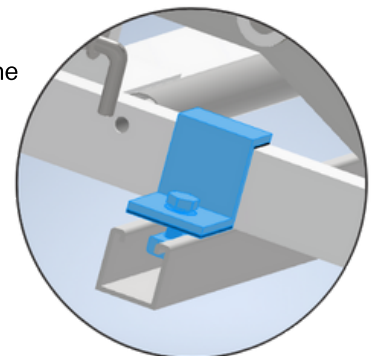
STEP 8 - Replace the Rung Lock Cross Member (removed in Step 1), placing it so that the vertical wedges sit approx 30mm behind the nearest rung. *Note: ensure that the angled edges of the wedges face TOWARD the front of the Ladder Transit.*

Using Z Brackets



Assemble Z Brackets as shown above and use to clamp either side of the Ladder Transit on each roof rack cross member.

Position the Z bracket so that the vertical face is hard up against the Ladder Transit bottom rail, and the top face sits on the rubber on top of the rail. Ensure the bottom rubber sits square with the Z bracket and roof rack.



Using the 17mm spanner, bolt the Z bracket firmly into position. The two pieces of rubber should squash down, clamping the Ladder Transit to the roof rack. Repeat this on the opposite side of the Ladder Transit.

Do the same for AT LEAST 2 x roof rack cross members, to ensure the Ladder Transit is attached securely.

Installing the Ladder Transit - STEP BY STEP

Step 1

Remove the Rung Lock Cross Member

Prepare the Ladder Transit for installation by removing the rung lock cross member (shown in Fig B).

This will be re-attached in Step 8.

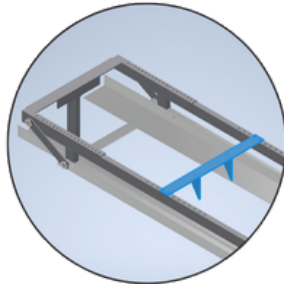


Figure B

Step 2

Ensure the Ladder Transit is in the **CLOSED** position, and the adjustable striker bar frame is in the **RETRACTED** position (as shown in Fig C).

This is the most rearward position (ie for a shorter ladder).

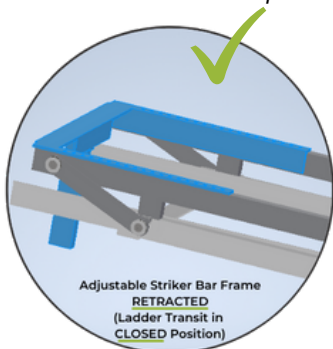


Figure C

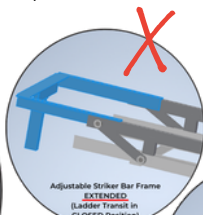


Figure D

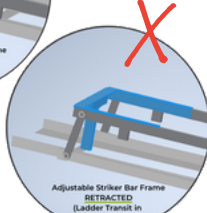


Figure E

Step 3

Place the Ladder Transit on the vehicle

Lift the Ladder Transit onto the existing roof racks on the vehicle. Place it in position, with the handle at the rear.

NOTE: Take note of door hinges and door travel, and leave adequate clearance.



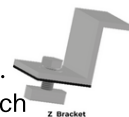
Ensure adequate clearance for door openings

Step 4

Secure the Ladder Transit with Z brackets

Using the supplied Z brackets, bolt the Ladder Transit to AT LEAST TWO roof rack cross members. Use 2x brackets for each cross member, one on each side of the Ladder Transit.

(further details on pg 1)



Step 5

Open the Ladder Transit

Pull the safety catch ('a' in Fig F) open while simultaneously pulling downwards on the handle ('b' in Fig F), to open the Ladder Transit.

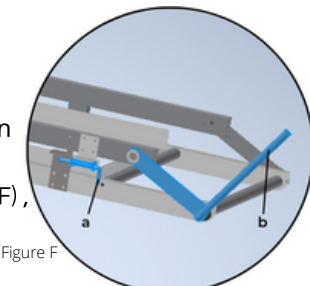
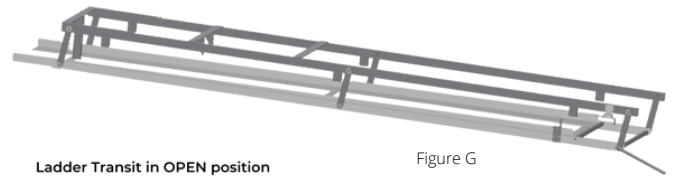


Figure F

Step 5 (cont)

This will leave the Ladder Transit in the OPEN position (see Fig G)



Ladder Transit in OPEN position

Figure G

Step 6

Load your ladder

Push the ladder firmly into the Ladder Transit maintaining continuous momentum until the Ladder Transit collapses shut onto the ladder.

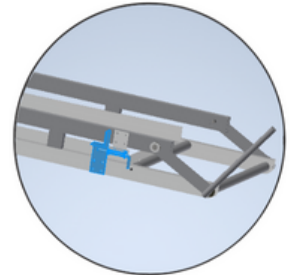


Figure H

Visually confirm that the safety catch has latched under the latch plate (as shown in Fig H).

Step 7

Extend striker bar frame if necessary

If the ladder needs to load 'deeper' into the Ladder Transit, remove the bolts holding the adjustable striker bar frame in place at the front of the Ladder Transit, and EXTEND the frame position (see Fig I) until the ladder sits in the desired position. Replace the bolts to secure the adjustable striker bar frame in the new extended position.

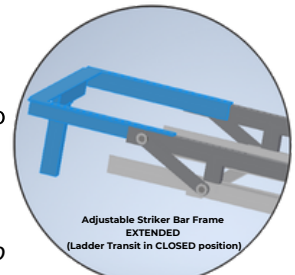


Figure I

If you had to push the ladder too deep into the Ladder Transit and beyond reach, then the ladder will have to be loaded with the ladder extended out a rung.

Reload the ladder in this position. Confirm the ladder is in the correct position, or, if necessary, extend the adjustable striker bar frame as mentioned above.

Step 8

Replace the Rung Lock Cross Member

With the ladder still in place, replace the Rung Lock Cross Member (removed in Step 1), placing it so that the rung locks sit approx 30mm (or as close as possible to this position) behind the nearest ladder rung.

Note: ensure that the angled edges of the rung locks face TOWARD the front of the Ladder Transit (as shown in Fig J)

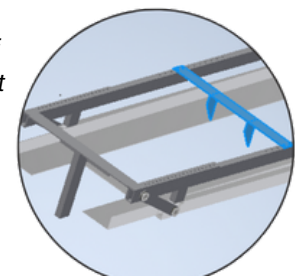


Figure J