

HPC – HIGH PERFORMANCE COUNTING

B11 Single Head Counting Machine



Features

The Machine

Mobile HPC single head counting machine for flexible use on different locations within the production, modular table top design allows various table size configurations, different types and sizes.

- High speed - Up to 300 sheets/second
- High accuracy - 99%
- High flexibility - GSM range 35 – 300
- High durability - Lowest maintenance costs

The Advantages

- Lowest possible impact to the product.
- No damages to the sheet corner or sheet edge.
- No folding to the sheet corner or sheet edge.
- No marks to the sheet corner or sheet edge.
- Sheet to sheet misalignment within high tolerances can be processed.
- Up and down corner curl within high tolerances can be processed.

The Formats

- Bundled or loose products:
 - ✓ From 80 x 60 mm up to 900 x 700 mm.
 - ✓ With XL-Table up to 1500 x 840 mm.

The Substrates

- Coated products
- Hybrid products
- Laminated products
- Polymers
- Paperboards
- Cardboards
- And much more

The Products

- Labels
- Packagings
- Kraft papers
- High security products
- Tax and post stamps
- And many other sensitive products

The Operation

- Counting direction from top to bottom
- Precise and fast product handling
- User friendly HMI

The Technology

Disc technology and gentle disc design allow counting of critical areas such as:

- Security thread
- Applications
- Codes
- Intaglio printing
- And much more

The Precision

- Concentricity and axial runout of the counting disc <0.025mm.
- Smooth running and safe counting signals at any speed.

The Drive

- Fast - 2,000 RPM for up to 200 sheets / second
- Powerful - Torque at any speed
- Controllable - Accurate stopping on last count and exact batching

The Machine Design

- All installed components are high-quality products from global manufacturers.
- The machine design ensures easy maintenance and low upkeep costs as well as maximum machine availability.
- Machine's high performance and availability results from the robust and precise construction out of steel and aluminium.

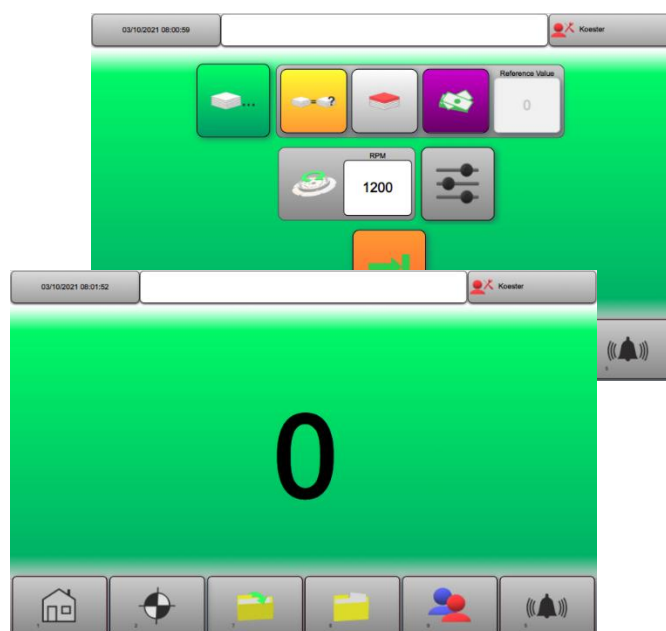
The Equipment

Wide range of integrated features in the standard version:

- **Security Counting:**
Results are compared with the pre-set value, if they do not match, the product is not automatically released.
- **Batching:**
A pre-selected number of sheets can be easily batched to form a layer. The counting disc is used for separation to provide a gap for the operator to easily separate the layers.
- **Firmware or Program Update:**
Firmware or program version updates are easily carried out using an USB memory stick.

The Options

- Warranty extension 24 months except wear parts
- Tab inserter
- Counting speed upgrade 3000 rpm
- Casters
- Side channel blower (instead of external compressed air to supply the air table).
- Micro-perforated air table XL 1680 mm x 900 mm
- Other table top versions and sizes on request:
 - HPL (High Pressure Laminate), Aluminium, Stainless-Steel
 - Closed or perforated
- Printer kit



Dimensions	L	W	H				
Overall (mm):	1150 - 1680	1118 - 1218	1759 - 2039				
Standard Table (mm):	1150	800					
XL table (mm):	1680	900					
Weight							
Machine weight (kg):	240 - 350						
Working Height							
Working height (mm):	820 - 1100						
Supplies							
Electric:	Single-phase 230V-AC / 50-60Hz / max. back-up fuse 16A / full load current 8A						
Pneumatic:	No external compressed air supply required						
Format Sizes							
			H				
Min. layer height (mm):	10						
Max. layer height (mm):	200						
			Standard table		XL Table		
Format Sizes	L	W	L	W			
Min. format size (mm):	80	60	80	60			
Max. format size (mm):	900	700	1500	840			
GSM and Disc Range	Min.	Max.	Disc Type	Position	Equipped	Tab Inserter	
GSM (g/m ²):	35	150	C2	Corner	Default	Available	
GSM (g/m ²):	50	200	C6	Corner	Optional	Available	
GSM (g/m ²):	120	300	V13	Corner	Optional	Available	
Depending on the stiffness and quality of the products, these values may deviate during processing. Counting discs for processing other GSM values are available on request.							

B11

Technical Specifications

Counting Technology

Counting method:	Disc				
Counting direction:	From top to bottom				
Max. Speed	RPM	Type	Segments	Sheets/min.	Sheets/sec.
Rated RPM:	2,000	C2	6	12,000	200
Rated RPM:	2,000	C6	6	12,000	200
Rated RPM:	600	V13	3	1,800	30

Depending on the stiffness and quality of the products, these values may deviate during processing.

Processable Substrates

Currency Industry:	Currency and documents paper, coated or uncoated, polymers, hybrids and much more.
Consumer Industry:	Consumer paper, coated or uncoated, laminated, plastics, polymers, paperboards, cardboards and much more.

PLC Control

Brand:	B&R
Touchscreen:	10.1" coloured multilingual, main HMI with pictograms
Connections and interfaces:	FTP (Client / Server) / USB / MQTT (TCP / IP) / OPC UA / PROFINET / PROFIBUS / Ethernet-IP / Device Net / CAN-Bus / CAN-Open / EtherCAT / X2X Link Powerlink / Modbus TCP

Operating Noise

Max. dB(A) at 2000 RPM.:	78
--------------------------	----

Environmental Cond.

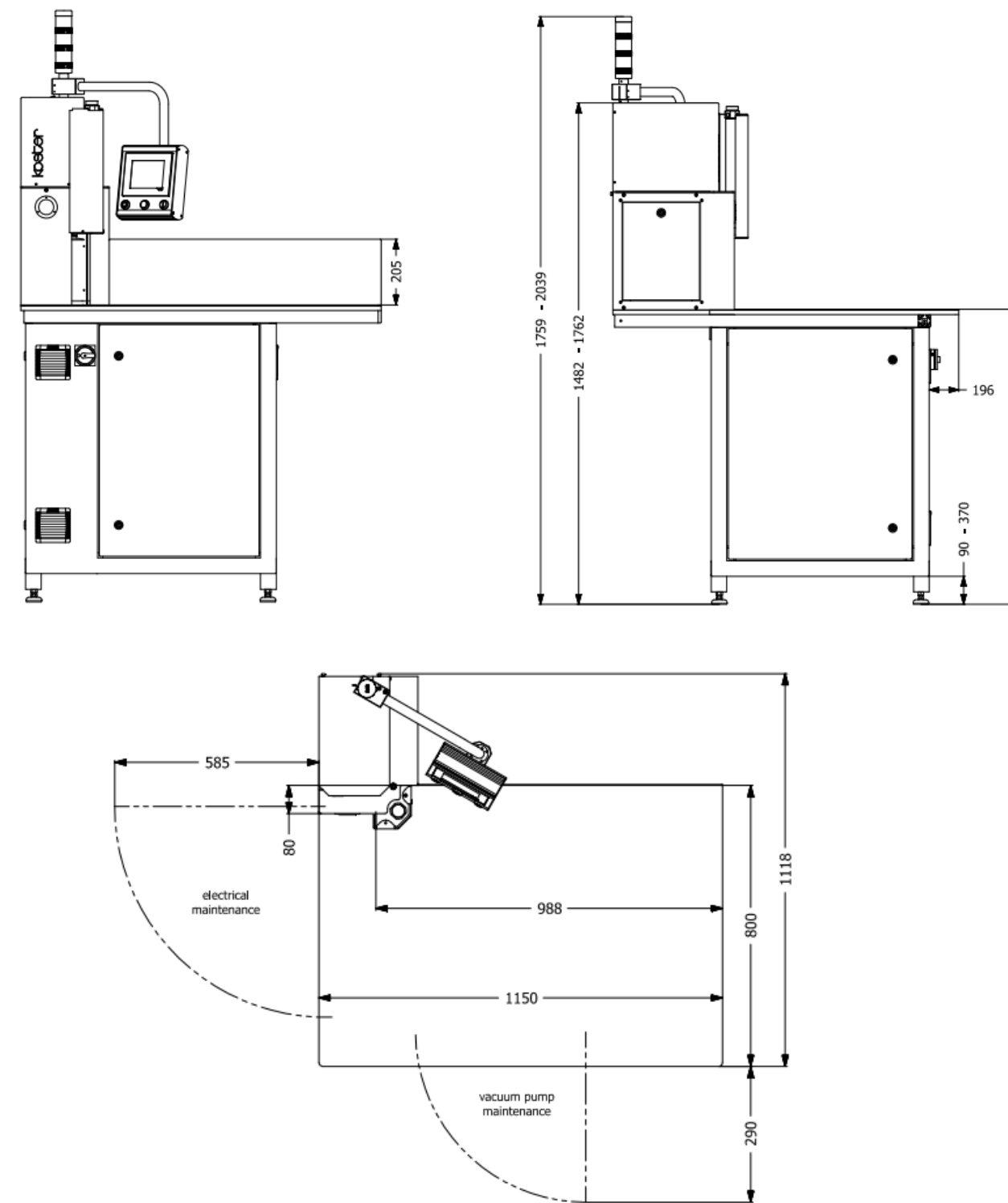
	Min.	Max.
Recommended temperature range (+°C):	15	35
Recommended relative humidity range (%):	35	45

Certification

CE Certificate:	Complies with all applicable European standards.
-----------------	--

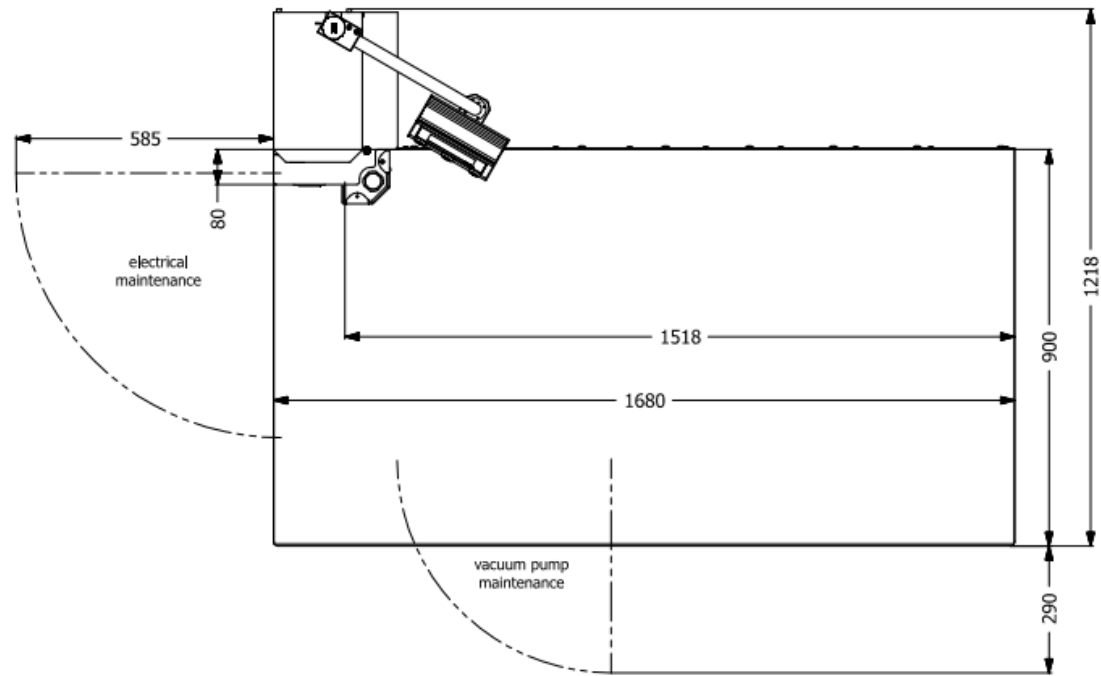
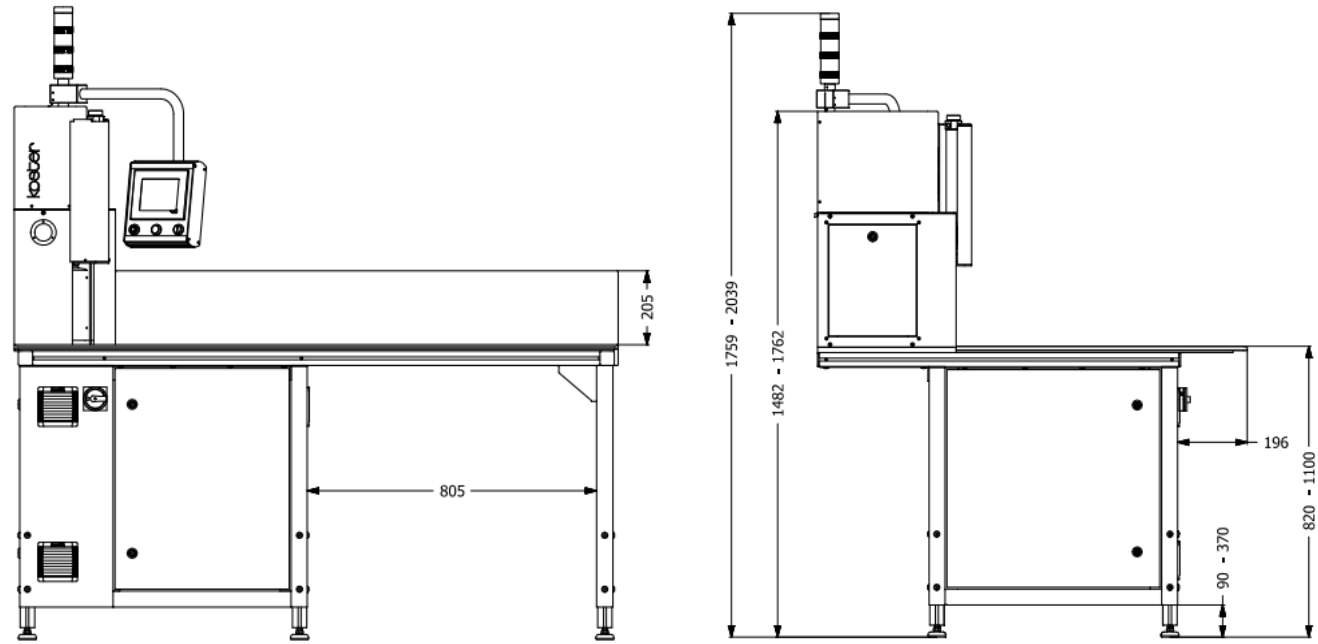
B11 – Standard Machine

Machine Layout



B11 – with XL Table

Machine Layout



Counting Discs – Since 1991



HPC – HIGH PERFORMANCE COUNTING

Basic Information

Counting Discs:

- The details of the GSM values are based on experience and tests. Depending on the product rigidity, these values may differ.
- Older produced counting discs for corner position are designated by 1xx,x for the diameter in "mm" and / or "V8 - V15" depending on the type.
- Newly produced counting discs for corner position are designated by "C1-Cx" depending on the type.
- Newly produced counting discs for edge position are designated by "S1-Sx" depending on the type.
- Warranty for the lifetime of the counting discs is not granted as the abrasive wear depends highly to the processed product.

Counting Machines:

- Maximum counting speed refers generally to the rated maximum rpm value and the machine design.
- It is not granted that maximum speed can be attended using all kind of substrates / materials.
- Warranty time 12 months upon issuing of the acceptance certificate.
- Warranty extension 24 months optionally available.
- Warranty coverage except wear parts.

köster
Maschinen- und Werkzeugbau

**Made in Germany –
Made for the world**