

HPC – HIGH PERFORMANCE COUNTING

B03 Desktop Counting Machine



Features

The Machine

- Ergonomic single head table top counting machine
- Plug & Play commissioning
- No external compressed air supply required
- No external components required
- Standard voltage supply Single-phase 230V-AC / 50-60Hz.

The Advantages

- High efficiency - Increased productivity through simple operation
- High accuracy - 99%
- High flexibility - Range from 35 - 150 g/m²
- High durability - Solid, high quality construction
- High cost effectiveness - Low maintenance costs

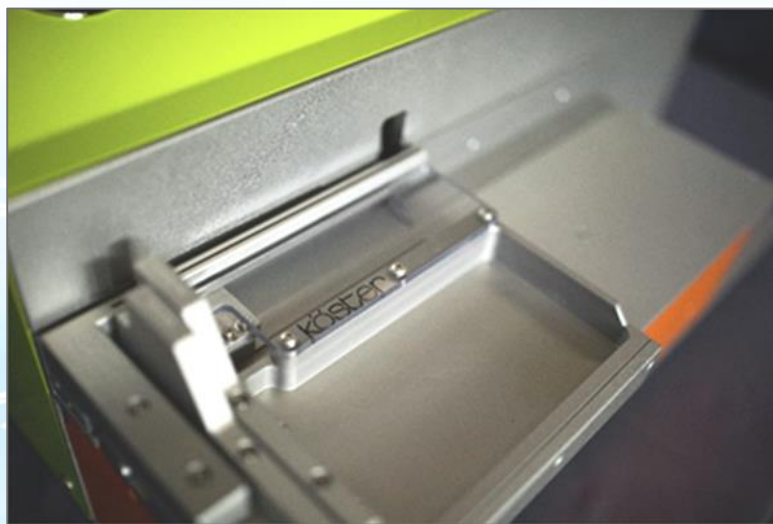
The Formats

Bundled or loose formats from 9 x 32 mm and sensitive products such as:

- Banknotes
- Postage stamps
- Tax stamps
- And much more

The Operation

- Standing counting position of the counting disc
- Best ergonomics for the operator
- Precise and fast product handling
- No adapters required
- User-friendly HMI interface with single-sided user interface



The Precision

- Concentricity and axial runout of the counting disc <math><0.025\text{mm}</math>
- Smooth running and safe counting signals at any speed

The Flexibility

All types of substrates used in the global security printing industry can be processed with the highest speed and accuracy:

- Cotton based products
- Coated products
- Hybrid products
- Laminated products
- And much more

The Technology

Gentle disc design allows counting of critical zones such as:

- Security thread
- Applications
- Codes
- Intaglio printing
- And much more

The Drive

- Fast - 2,000 RPM for up to 200 sheets / second
- Powerful - Torque at any speed
- Controllable - Accurate stopping on last count and exact batching



The Machine Design

- Maintenance access is from the top of the machine by opening the machine housing.
- All installed components are high-quality products from global manufacturers, most of which are available from stock.
- The non-sophisticated machine design ensures easy maintenance and low maintenance costs as well as maximum machine availability.
- Machine's high performance and availability results from the robust and precise construction out of steel and aluminum.

The Equipment

Wide range of integrated features in the standard version:

- Comparing:
The results are compared with the preset value, if they do not match, the number is shown in red.
- Batching:
A pre-selected number of sheets can be easily batched to form a layer. The counting disc is used for separation to provide a gap for the operator to easily separate the layers.
- Firmware or Program Update:
Firmware or program version updates are easily carried out using an USB memory stick.

The Options

- Separation knife to improve gap visibility for checking the bundle quantity within a product stack. Not compatible with the processing of tax and postage stamps
- 24 months warranty extension excluding wear parts.
- Printer kit.

B03

Technical Specifications

Dimensions	L	W	H		
Overall (mm):	630	585	345		
Slide stroke (mm):	160				
Weight					
Machine weight (kg):	65				
Working Height					
Working height (mm):	Depending on the table or base used				
Supplies					
Electric:	Single-phase 230V-AC / 50-60Hz / max. back-up fuse 16A / full load current 6A				
Pneumatic:	No external compressed air supply required				
Format Sizes	L	W	H		
Min. layer height (mm):			5		
Max. layer height (mm):			150		
Min. format size (mm):	9	32			
Max. format size (mm):	85	180			
Separation Knife (optional)	L	W			
Min. format size (mm):	55	100			
Minimum sheets between separation (pcs.):	1				
Counting Technology					
Counting method:	Disc				
Counting direction:	Left to right				
Counting Discs	Min.	Max.	Type	Position	Default
GSM (g/m ²):	35	70	C1	Corner	Tax stamps
GSM (g/m ²):	35	150	C2	Corner	Notes
Depending on the stiffness and quality of the products, these values may deviate during processing.					

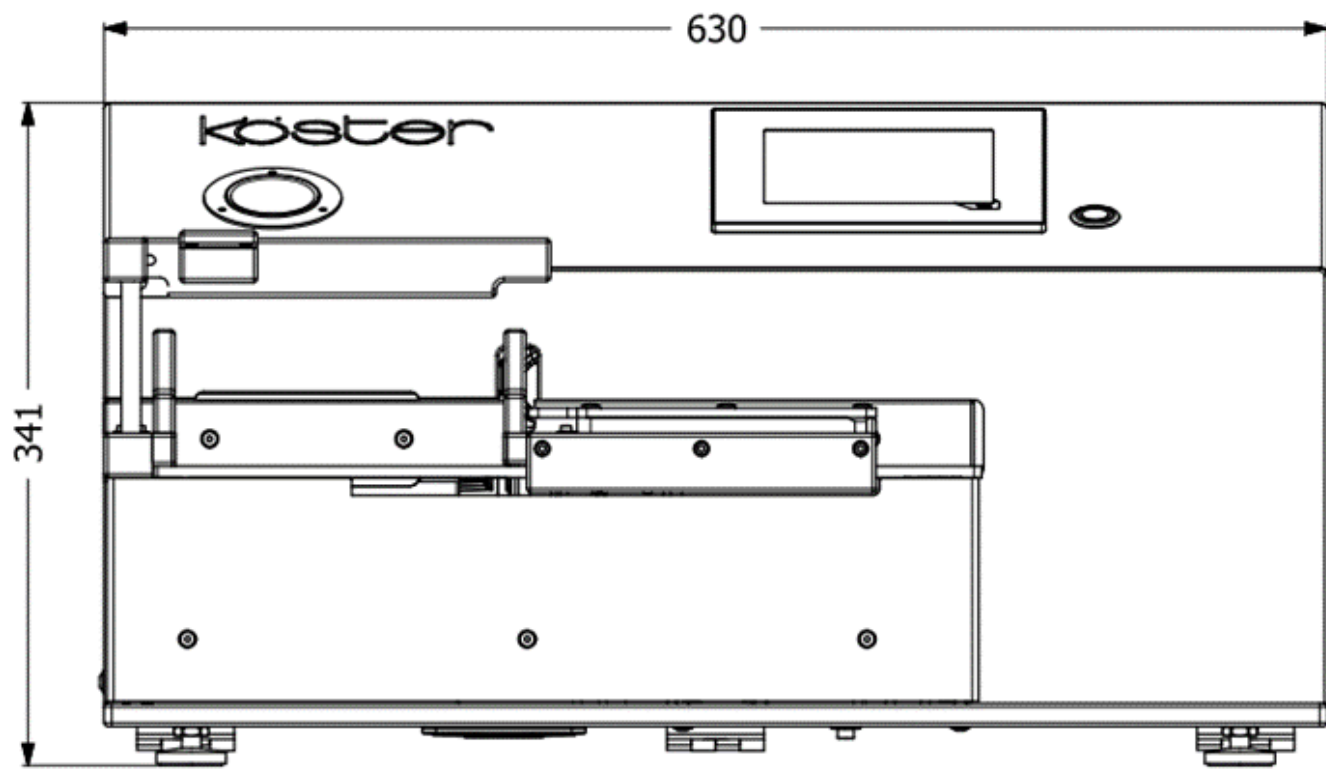
B03

Technical Specifications

Counting Speed	RPM	Type	Segments	Sheets/Min.	Sheets/Sec.
Rated RPM:	2.000	C1	6	12.000	200
Rated RPM:	2.000	C2	6	12.000	200
Depending on the stiffness and quality of the products, these values may deviate during processing.					
Processable Substrates					
Currency Industry:	Currency and documents paper, coated or uncoated, polymers, hybrids and much more.				
Consumer Industry:	Consumer paper, coated or uncoated, laminated, plastics, polymers and much more.				
PLC Control					
Brand:	B&R				
Touchscreen:	5,7" colored multilingual, main HMI with pictograms				
Interfaces:	FTP (Client / Server)/USB/MQTT (TCP / IP)/OPC UA/Profinet/Profibus/Ethernet-IP/ Device Net / CAN-Bus / CAN-Open / EtherCat / X2X Link Powerlink / Modbus TCP /				
Operating Noise					
Max. dB(A) at 2000 RPM:	78				
Environmental Conditions	Min.	Max.			
Recommended temperature range (+°C):	15	35			
Recommended relative humidity range (%):	35	45			
Certification					
CE Certificate:	Complies with all applicable European standards.				

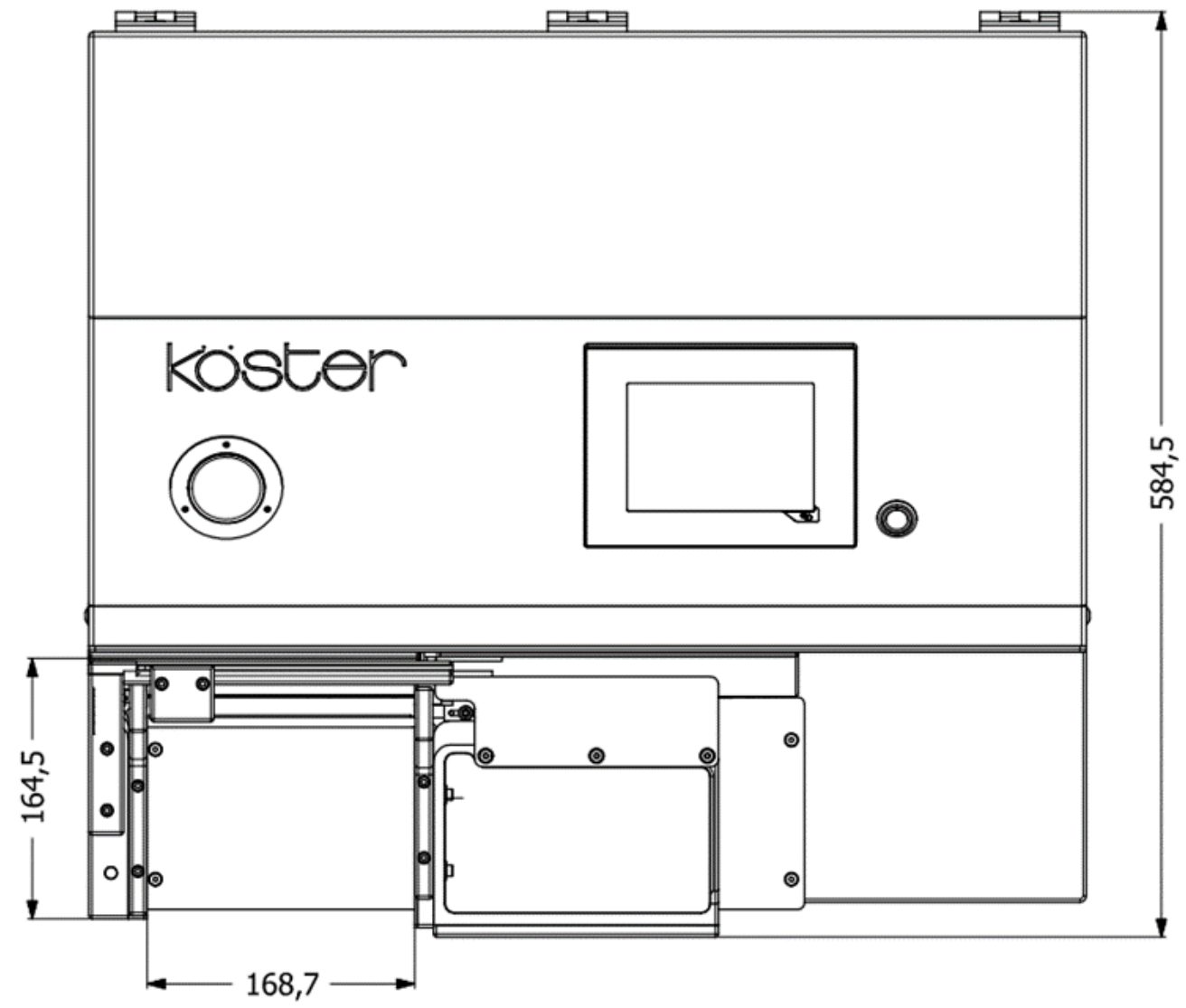
B03

Machine Layout



B03

Machine Layout



Counting Discs – Since 1991



HPC – HIGH PERFORMANCE COUNTING

Basic Information

Counting Discs:

- The details of the GSM values are based on experience and tests. Depending on the product rigidity, these values may differ.
- Older produced counting discs for corner position are designated by 1xx,x for the diameter in "mm" and / or "V8 - V15" depending on the type.
- Newly produced counting discs for corner position are designated by "C1-Cx" depending on the type.
- Newly produced counting discs for edge position are designated by "S1-Sx" depending on the type.
- Warranty for the lifetime of the counting discs is not granted as the abrasive wear depends highly to the processed product.

Counting Machines:

- Maximum counting speed refers generally to the rated maximum rpm value and the machine design.
- It is not granted that maximum speed can be attended using all kind of substrates / materials.
- Warranty time 12 months upon issuing of the acceptance certificate.
- Warranty extension 24 months optionally available.
- Warranty coverage except wear parts.

koester
Maschinen- und Werkzeugbau

**Made in Germany –
Made for the world**