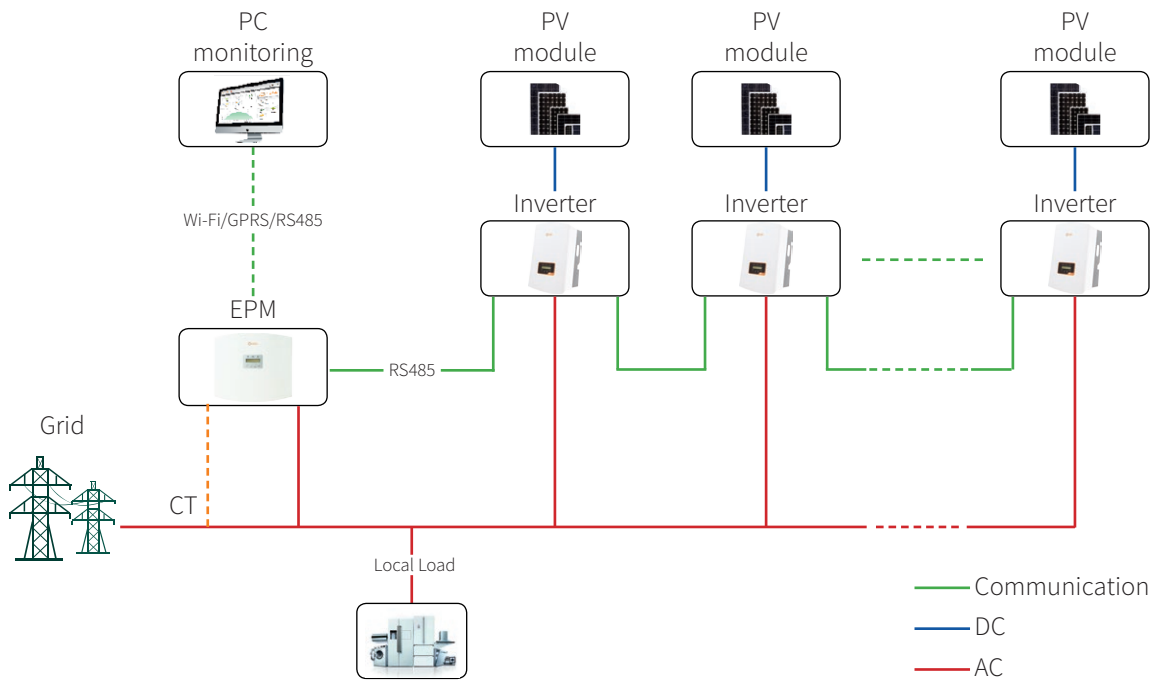


## Accessories

### » Solis-EPM1/3-5G



#### Smart & strong

- Simultaneous control of 80 X Solis inverters
- Realizing reactive compensation of the system, which ensure the power factor of the system is up to standard

#### Saving & high precision

- Simultaneously monitor the operating data of the 80 X Solis inverter, saving the cost of the monitoring system
- The control accuracy is up to 3%, which improves the system's spontaneous use rate

#### Friendly & compatible

- Supports simultaneous access of Solis inverters with different powers
- Monitor power generation and load consumption at all times

## Datasheet

Model Name	Solis-EPM1-5G	Solis-EPM3-5G	Solis-EPM3-5G-PLUS
------------	---------------	---------------	--------------------

### Input AC

Rated voltage	230 V, 1/N/PE	400 V, 3/N/PE or 3/PE	400 V, 3/N/PE
Input voltage range	L to N: 100~277 V L to L: 176~480 V		L to N: 100~263 V
Input frequency range	45~65 Hz		

### Communication

Inverter communication	Modbus RS485		
Communication interface	2pin RS485		2pin RS485, RJ45
Max. communication inverter numbers	10	10	80 <sup>(1)</sup>
Max. communication distance	1000 m		
Monitoring	S3-GPRS-ST or S3-WiFi-ST		DLB-W (Built in)

### General Data

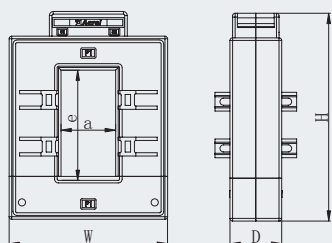
Ambient temperature	-25 ~ +60°C		
Relative humidity	5%~95%		
Ingress protection	IP65		
Self consumption	<5 W		<15 W
Dimensions (W*H*D)	364*276*114 mm		488*446*149 mm
Weight	2.1 kg		5.4 kg
AC connection	Quick connection terminal		
Display	LCD		
CT connection	Plug terminal		
CT specification	Optional (5 A) <sup>(3)</sup>		

### Features

Failsafe function	Yes
Remote upgraded	Yes <sup>(2)</sup>
Control time	5 s
Power Accuracy	3%

### CT specification

Specification	Dimensions (mm)			Hole size (mm)		Ratio
	W	H	D	a	e	
CT-30×20-100 A	90	114	40	22	32	100:5 A
CT-60×40-300 A	114	140	36	42	62	300:5 A
CT-80×40-600 A	122	162	40	42	82	600:5 A
CT-80×40-1000 A	122	162	40	42	82	1000:5 A
CT-160×80-2000 A	184	254	52	82	162	2000:5 A
CT-160×80-3000 A	184	254	52	82	162	3000:5 A



(1) The AC capacity of EPM system should not exceed 2MW.

(2) EPM dedicated version, Non-EPM-dedicated does not support remote upgrade.

(3) Due to different on-site installation conditions, Solis currently has optional specifications as shown in the above table. It is suggested that the client can choose the appropriate CT specifications according to the actual installation requirements.