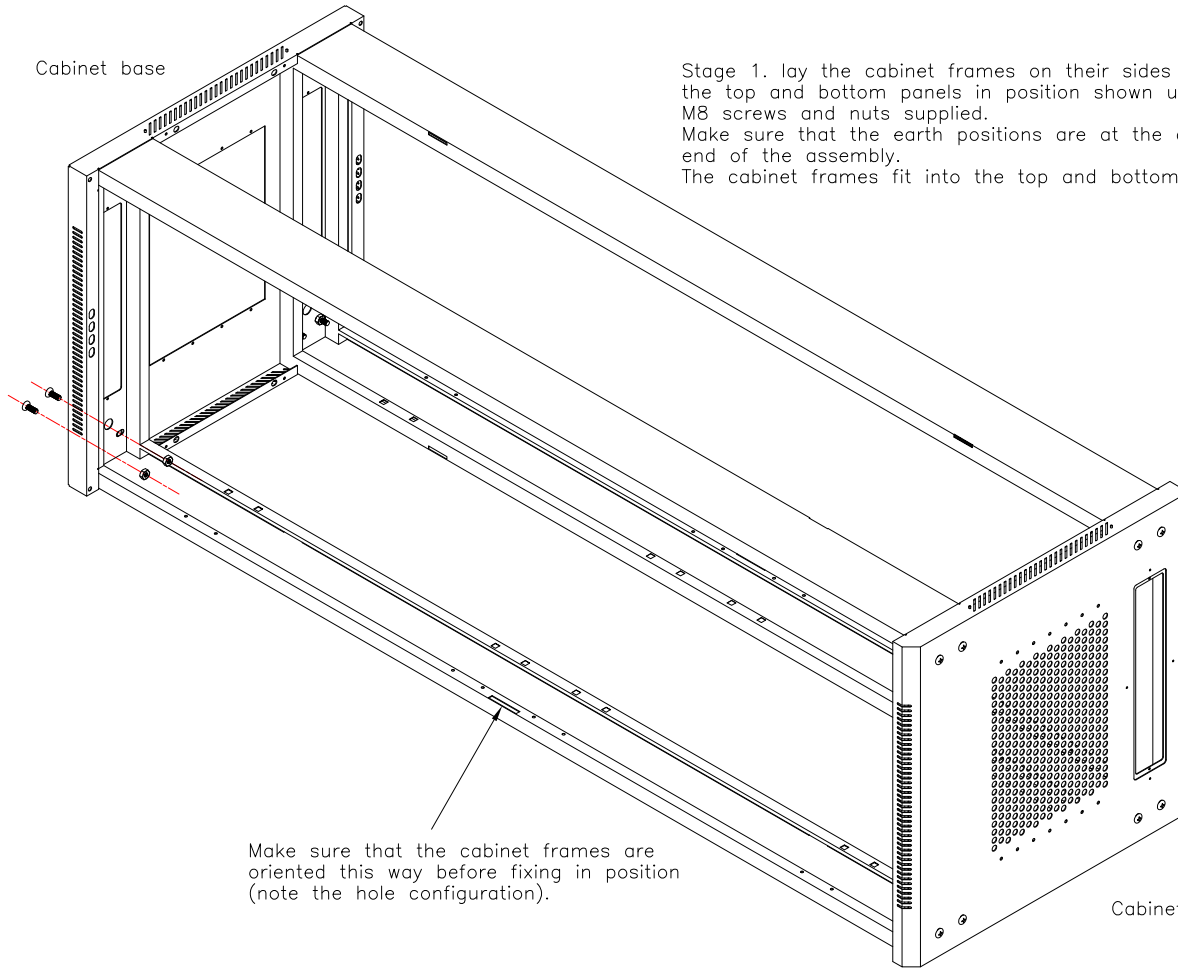


Cabinet base

Stage 1. lay the cabinet frames on their sides and fit the top and bottom panels in position shown using the M8 screws and nuts supplied. Make sure that the earth positions are at the cabinet base end of the assembly. The cabinet frames fit into the top and bottom panels.



Make sure that the cabinet frames are oriented this way before fixing in position (note the hole configuration).

Cabinet top

Cabinet base

Stage 2. Fit the profile mounting brackets (3 per side) in position shown by fitting the M6 caged nuts into the cabinet frame and 2 caged nuts side by side in the mid positions from either end of the mounting bracket before fitting to the side frames. Turn the cabinet over and repeat for the other side

M6 Screws

M5 Screws

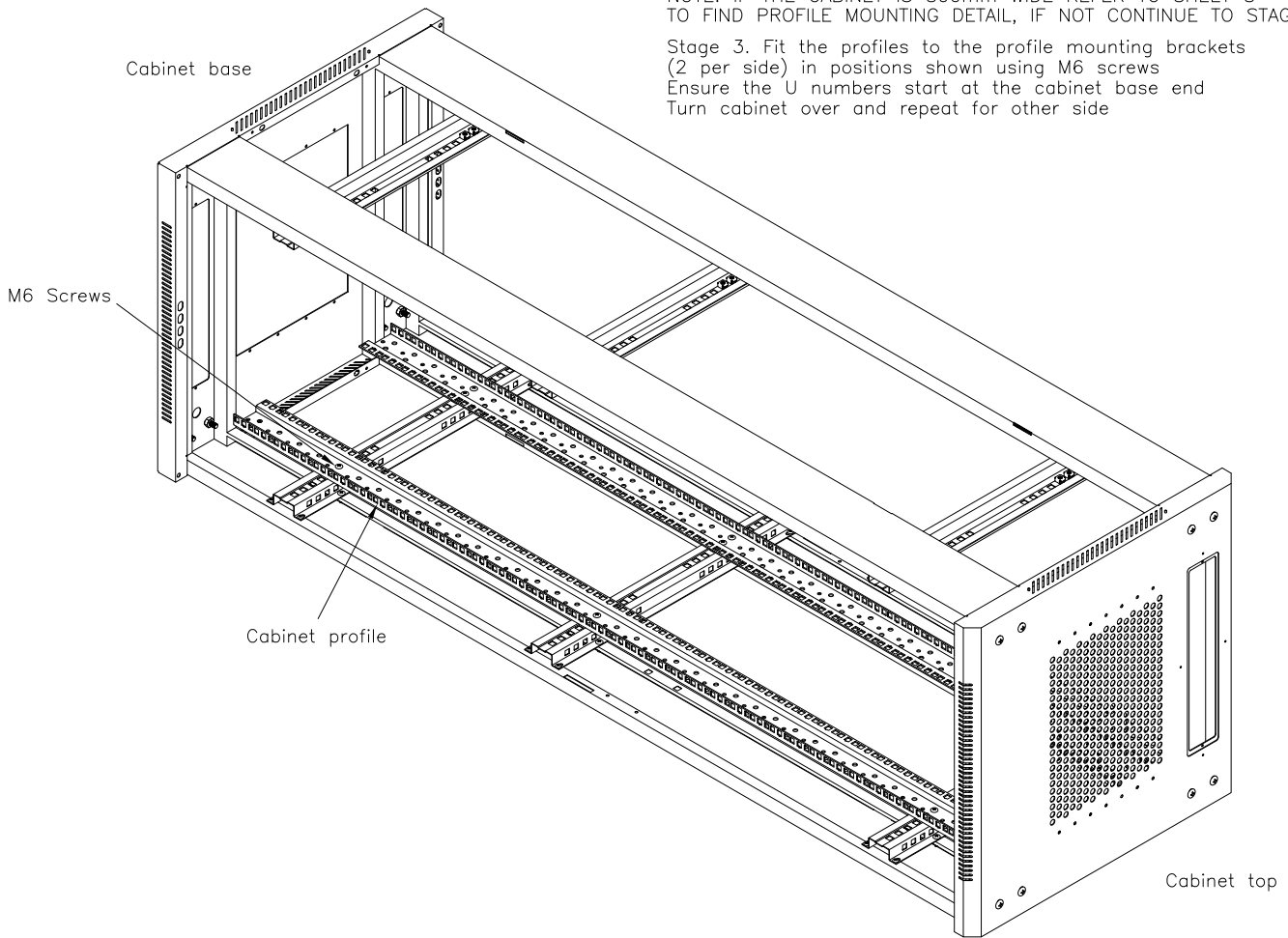
M6 Caged Nuts

Make sure that the mounting brackets are oriented this way with these holes towards the top of the cabinet.

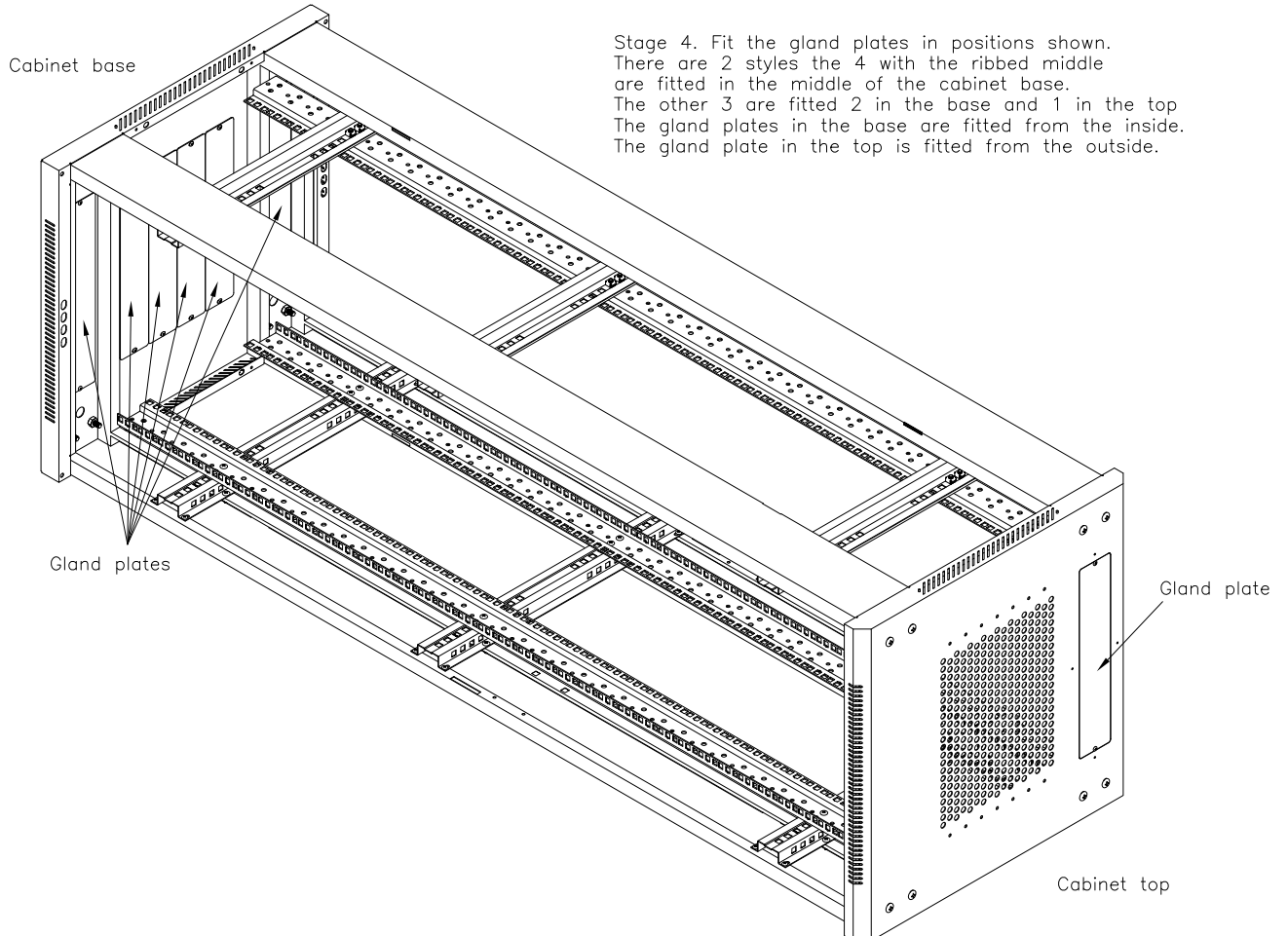
Cabinet top

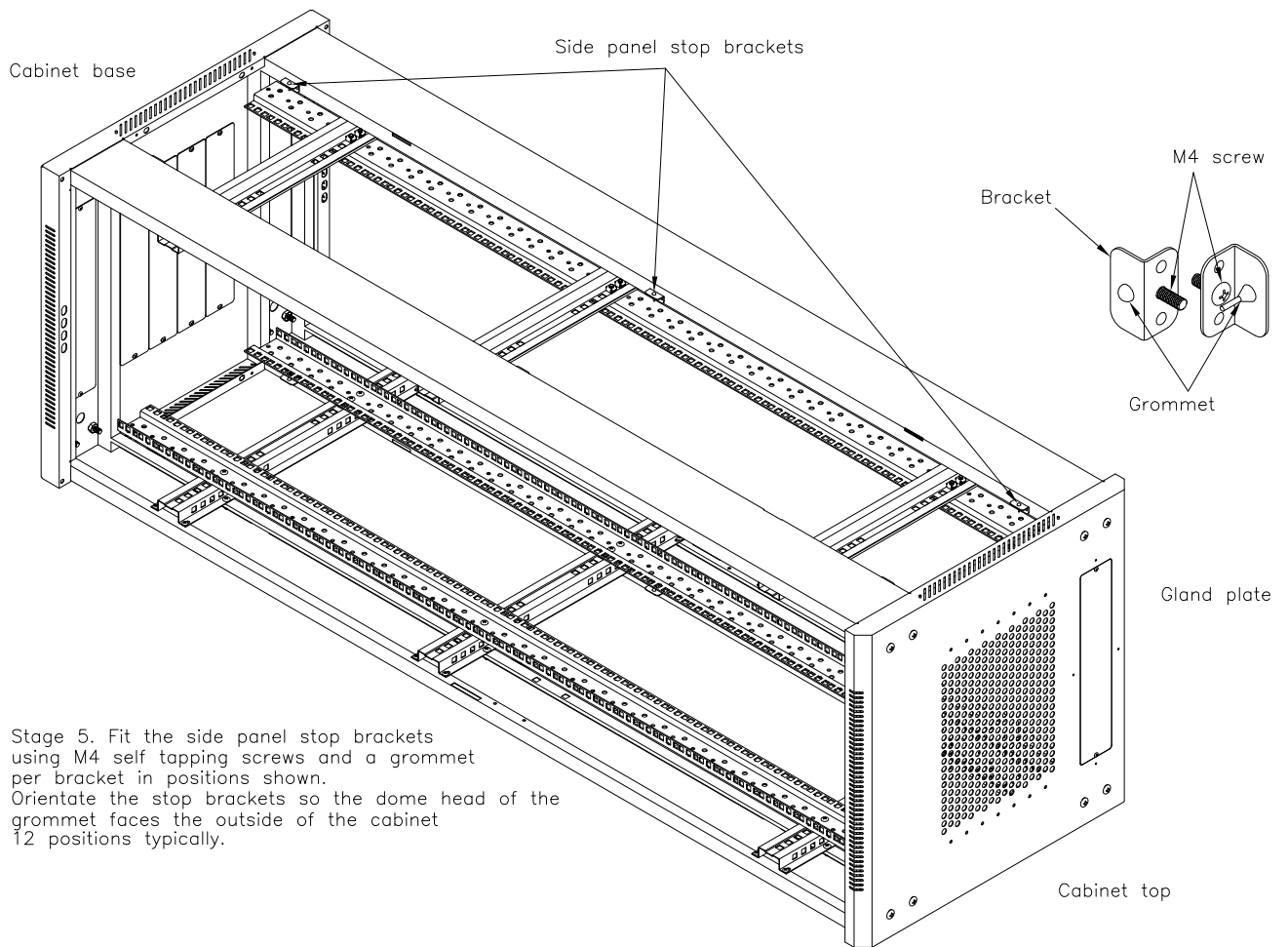
NOTE: IF THE CABINET IS 800mm WIDE REFER TO SHEET 8 TO FIND PROFILE MOUNTING DETAIL, IF NOT CONTINUE TO STAGE 3.

Stage 3. Fit the profiles to the profile mounting brackets (2 per side) in positions shown using M6 screws  
Ensure the U numbers start at the cabinet base end  
Turn cabinet over and repeat for other side

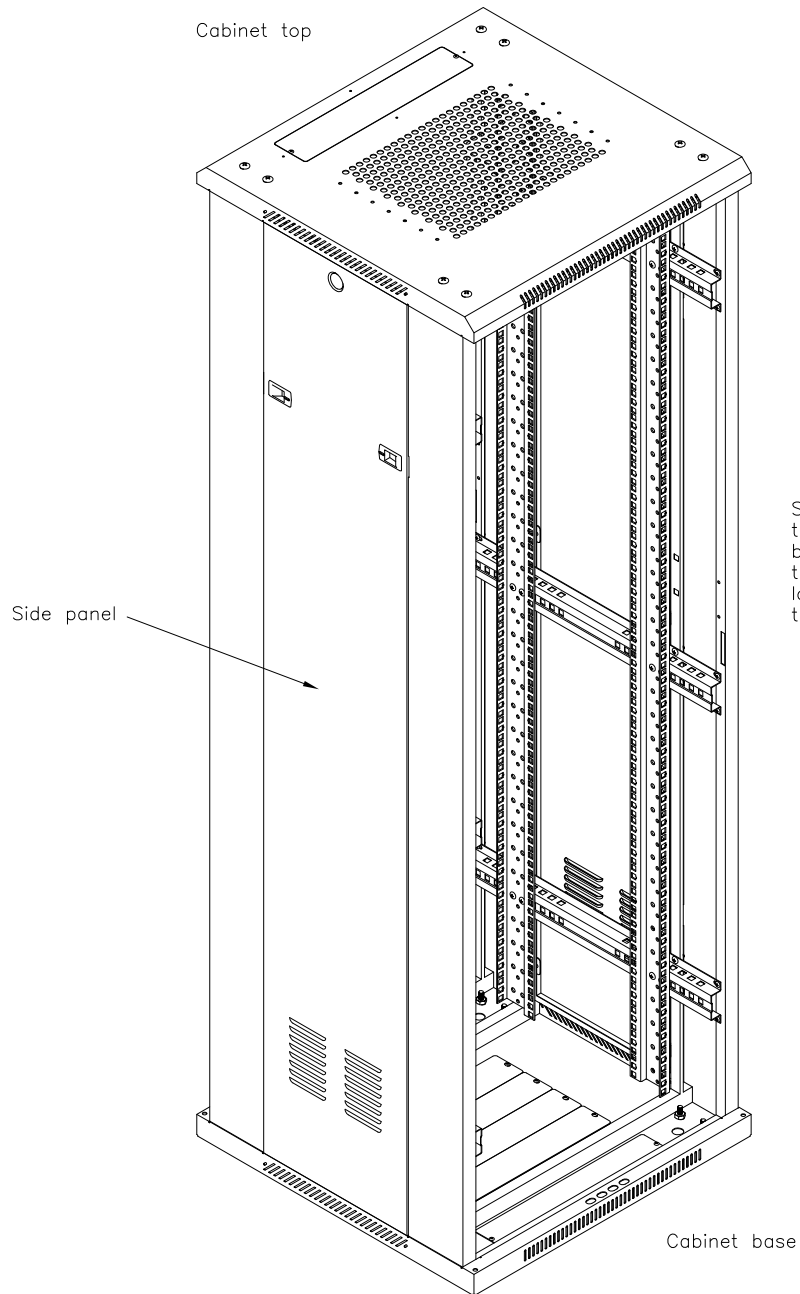


Stage 4. Fit the gland plates in positions shown. There are 2 styles the 4 with the ribbed middle are fitted in the middle of the cabinet base. The other 3 are fitted 2 in the base and 1 in the top. The gland plates in the base are fitted from the inside. The gland plate in the top is fitted from the outside.

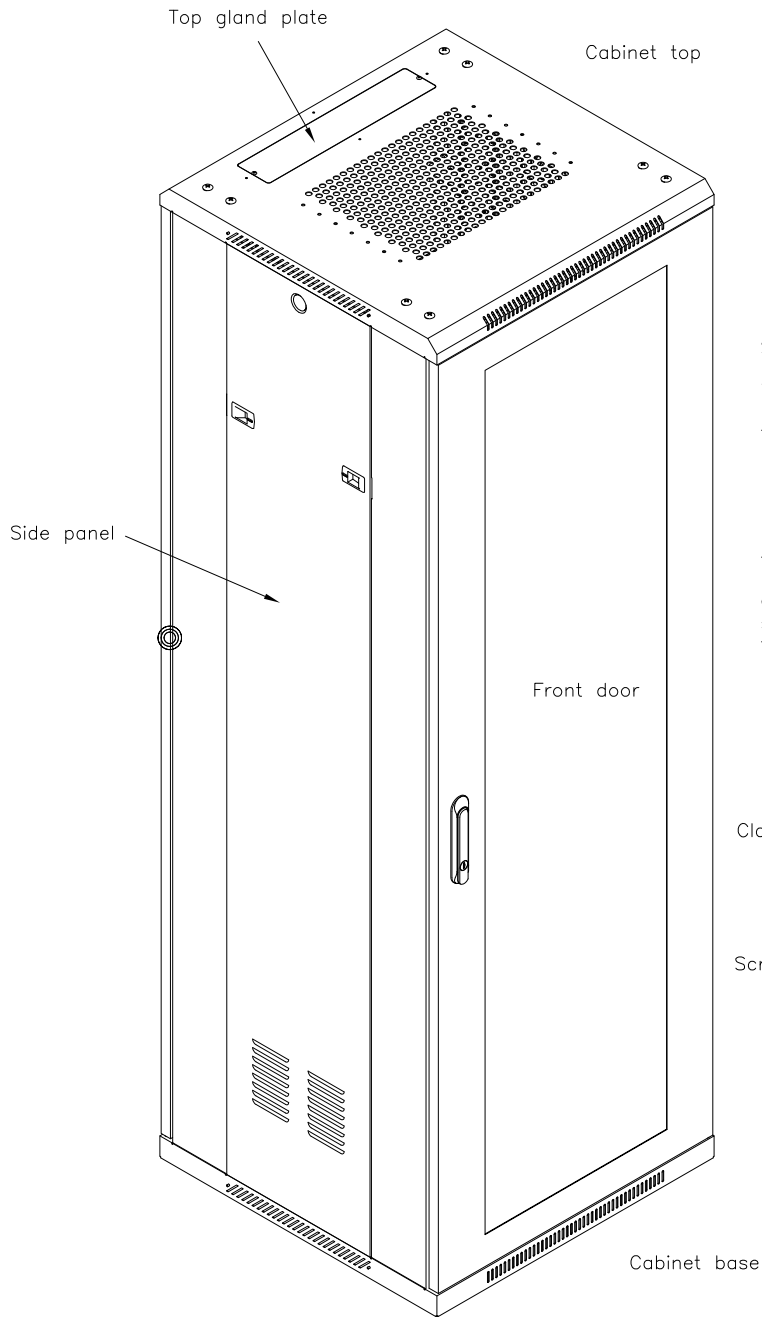




Stage 5. Fit the side panel stop brackets using M4 self tapping screws and a grommet per bracket in positions shown. Orientate the stop brackets so the dome head of the grommet faces the outside of the cabinet 12 positions typically.



Stage 6. Locate the side panel by fitting the locating pins into the 2 slots in the base unit, then lean the side panel into the cabinet making sure that the plastic latches engage securely into the slots in the side frames.

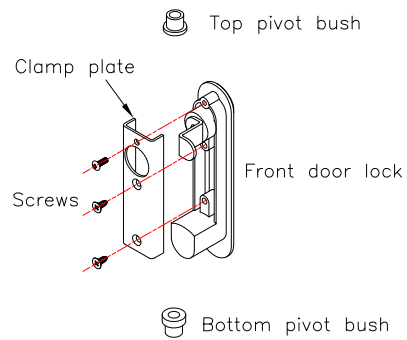


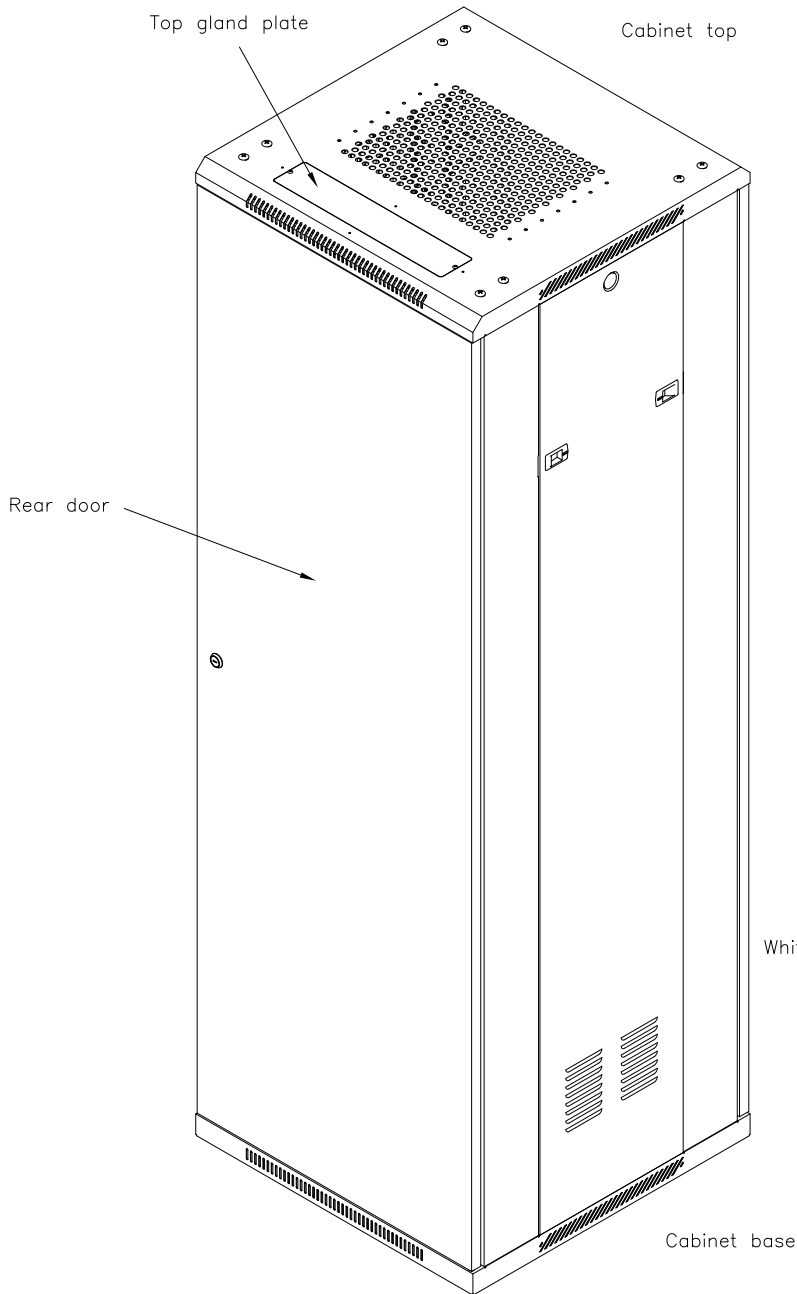
Stage 7. Fitting the front door, make sure the pivot bushes are pressed into the hinge holes in the top and bottom frames on the right hand side as you look at the cabinet from the front.

Note the top pivot bush has the thinner flange.

Locate the bottom hinge pin into the bottom pivot bush then locate the top hinge pin into the top pivot bush by depressing the hinge spring.

Once the door is secure fit the cam lock, make sure the clamp plate is fitted on the inside of the door and is secured using the screws supplied.



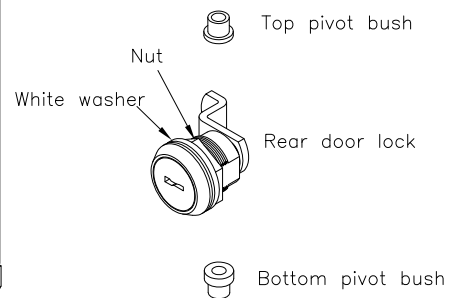


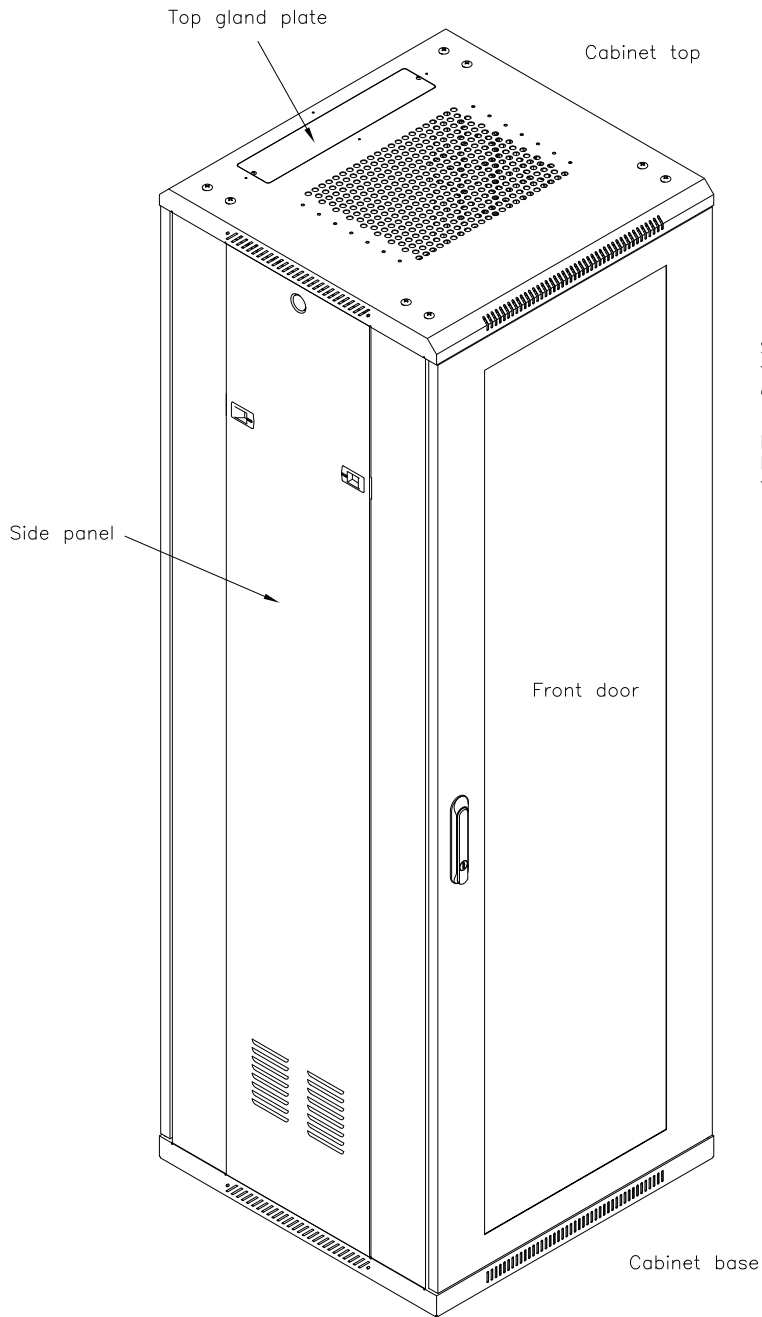
Stage 8. Fitting the rear door, make sure the pivot bushes are pressed into the hinge holes in the top and bottom frames on the right hand side as you look at the cabinet from the rear.

Note the top pivot bush has the thinner flange.

Locate the bottom hinge pin into the bottom pivot bush then locate the top hinge pin into the top pivot bush by depressing the hinge spring.

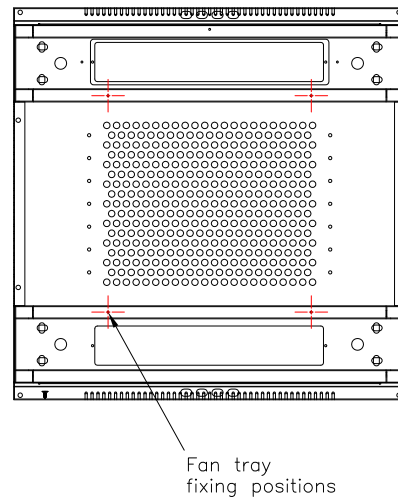
Once the door is secure fit the cam lock, make sure the white washer and nut are in the inside of the door.



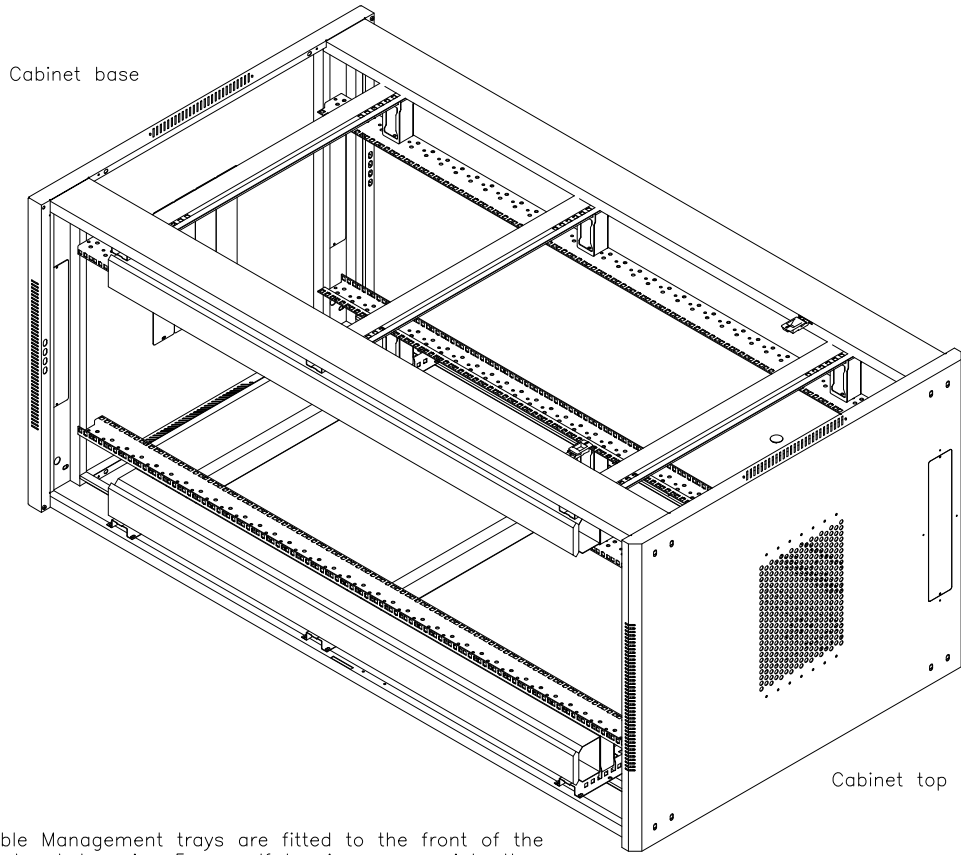
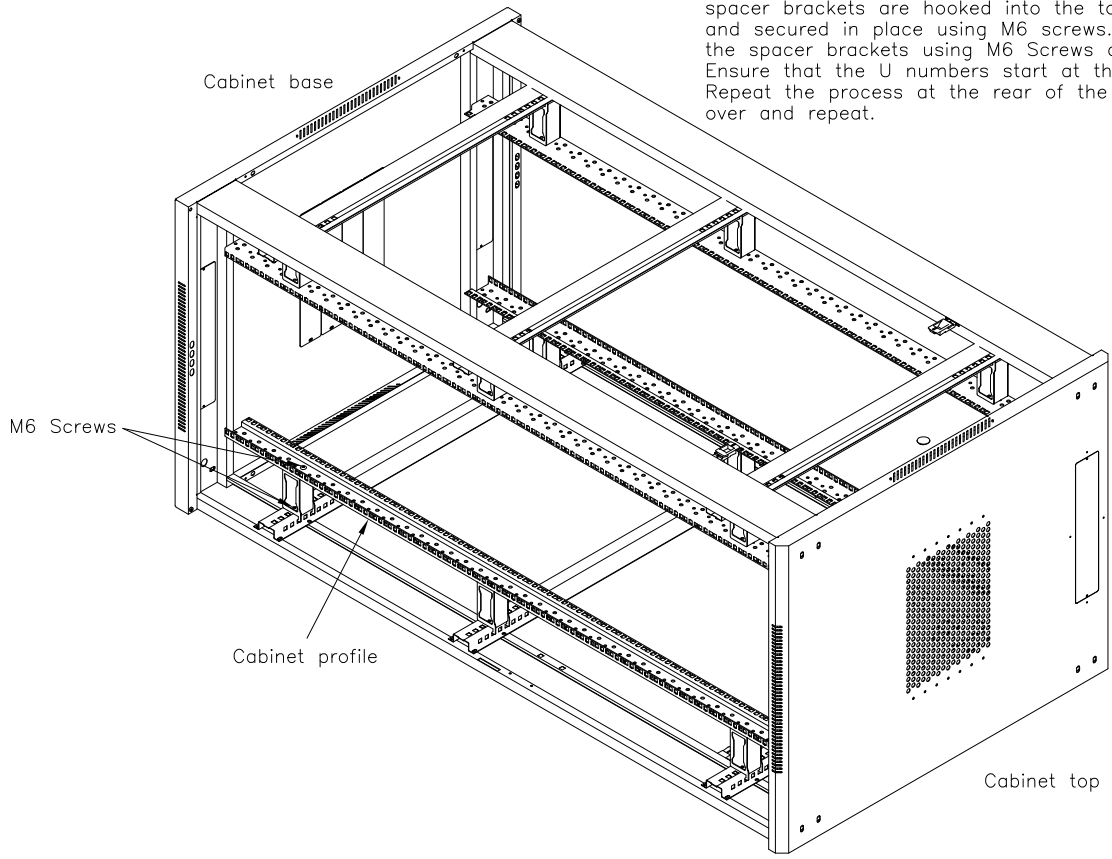


Stage 9. Cabinet accessories such as fan trays, fixed shelves, castors, earth kits, jacking feet and cable trays.

Fan trays are fitted inside the cabinet and the location holes are in the flange of the cabinet frames.



Stage 10. When fitting side profiles into 800mm wide cabinets, the profile mounting brackets are fitted as in stage 2, then the spacer brackets are hooked into the top face in 3 positions and secured in place using M6 screws. The profile is then fitted to the spacer brackets using M6 Screws and cage nuts. Ensure that the U numbers start at the bottom of the cabinet. Repeat the process at the rear of the cabinet, then turn the cabinet over and repeat.



Stage 11. Cable Management trays are fitted to the front of the profile spacer brackets using 5mm self tapping screws, into the top and bottom spacer brackets only. Make sure that the tray is fitted so that the tray cover has the folded flanges at the top of the cabinet.