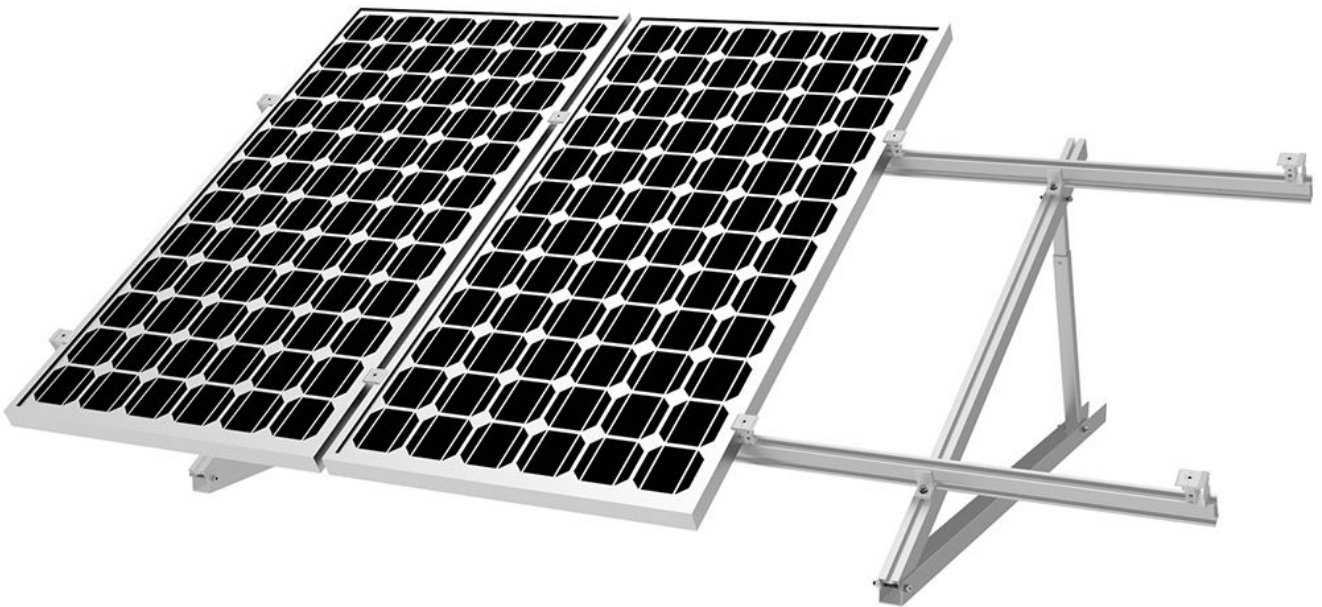
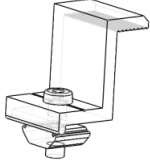

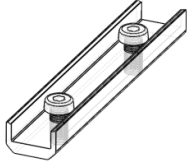
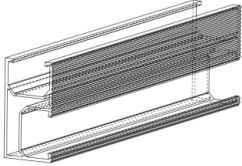
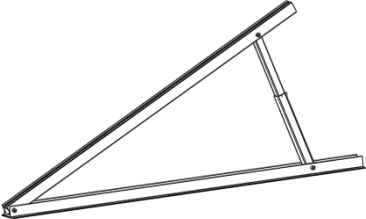
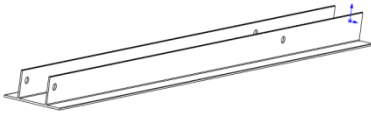
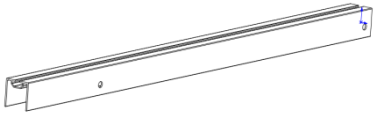

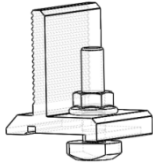


Installation Manual

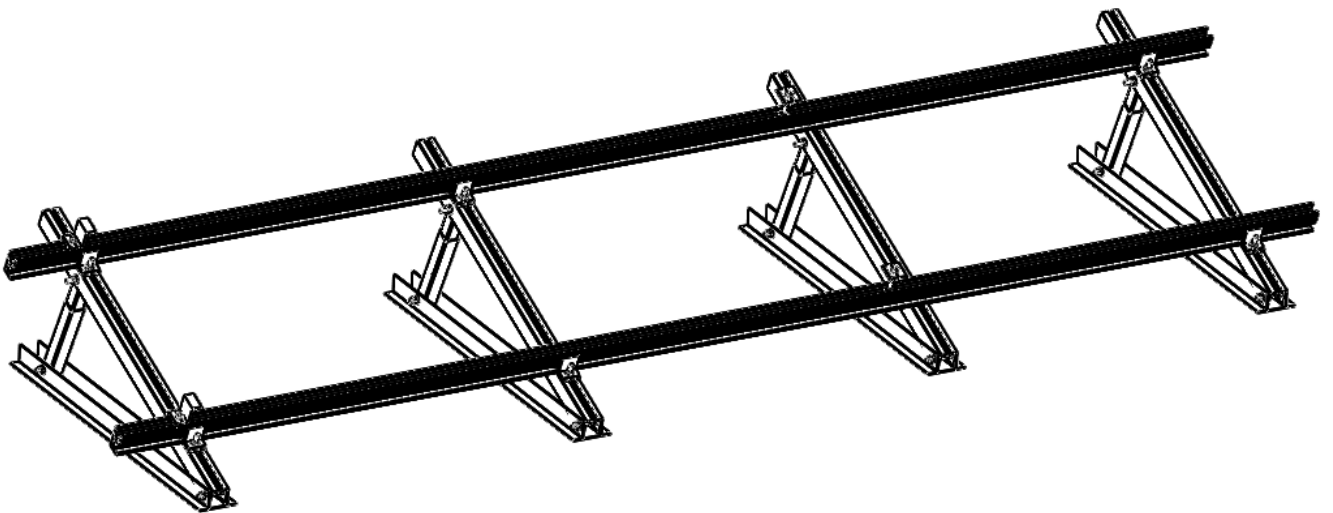
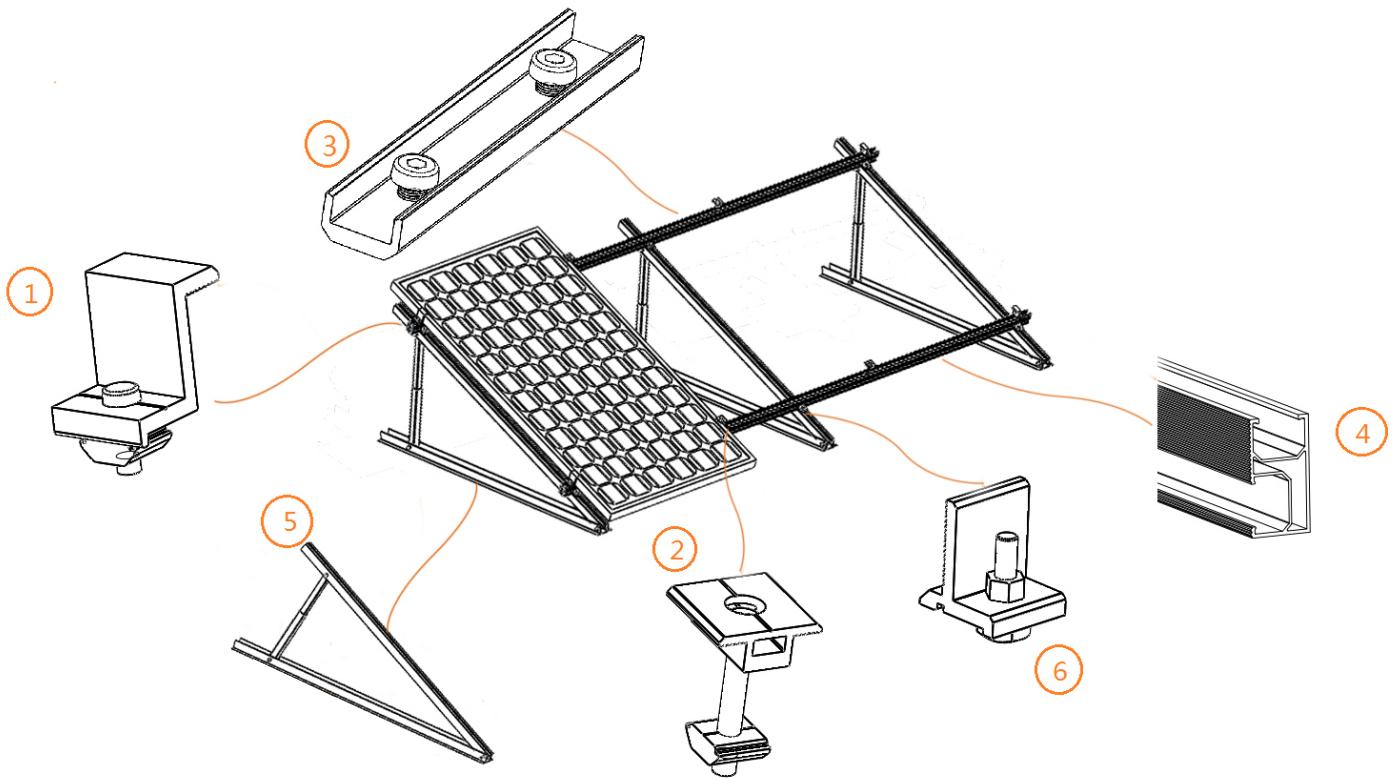
Adjustable Triangular Mounting Kit Portrait Orientation

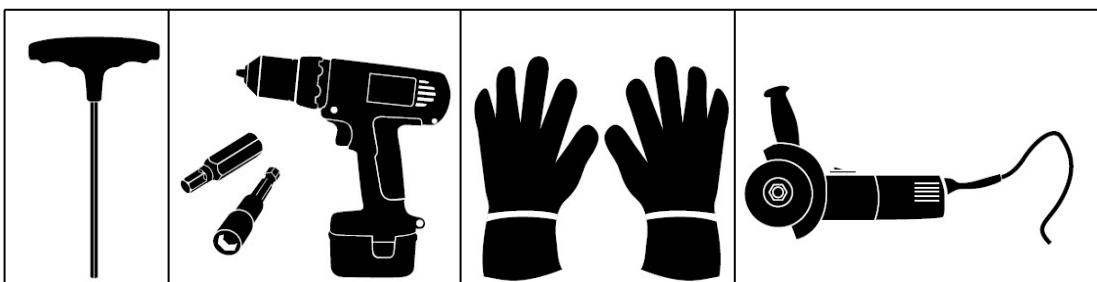
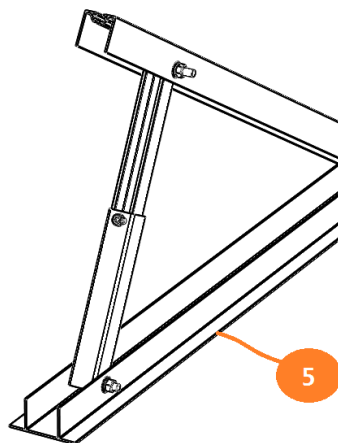
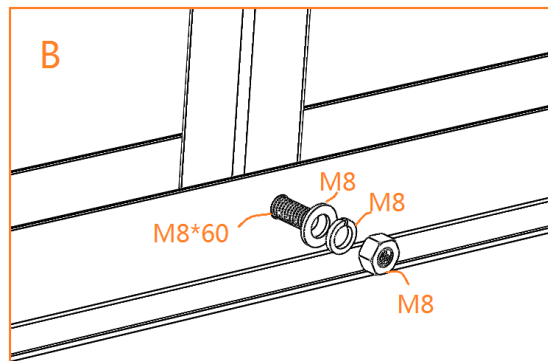
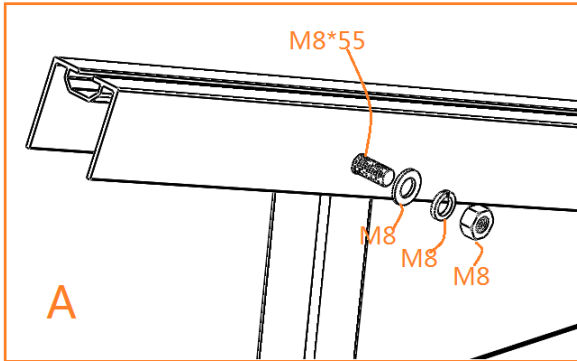
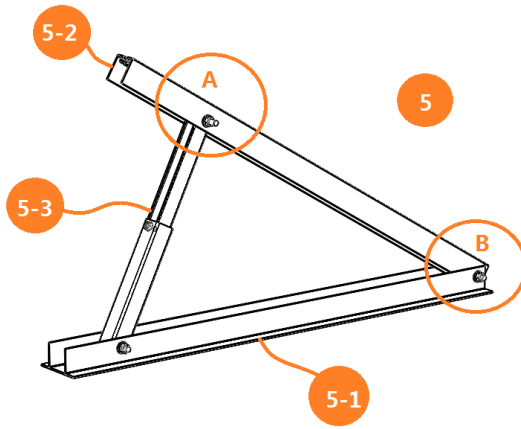


Serial No.	Definition	Picture	Size(MM)	Remarks
1	ING-SEC-35		40	
2	ING-SMC-35		40	
3	ING-STR-SPA		140	
4	ING-STR-1200		1200	
5	ING-TPF		1400	
5-1	ING-TPF-1		1400	
5-2	ING-TPF-2		1300	

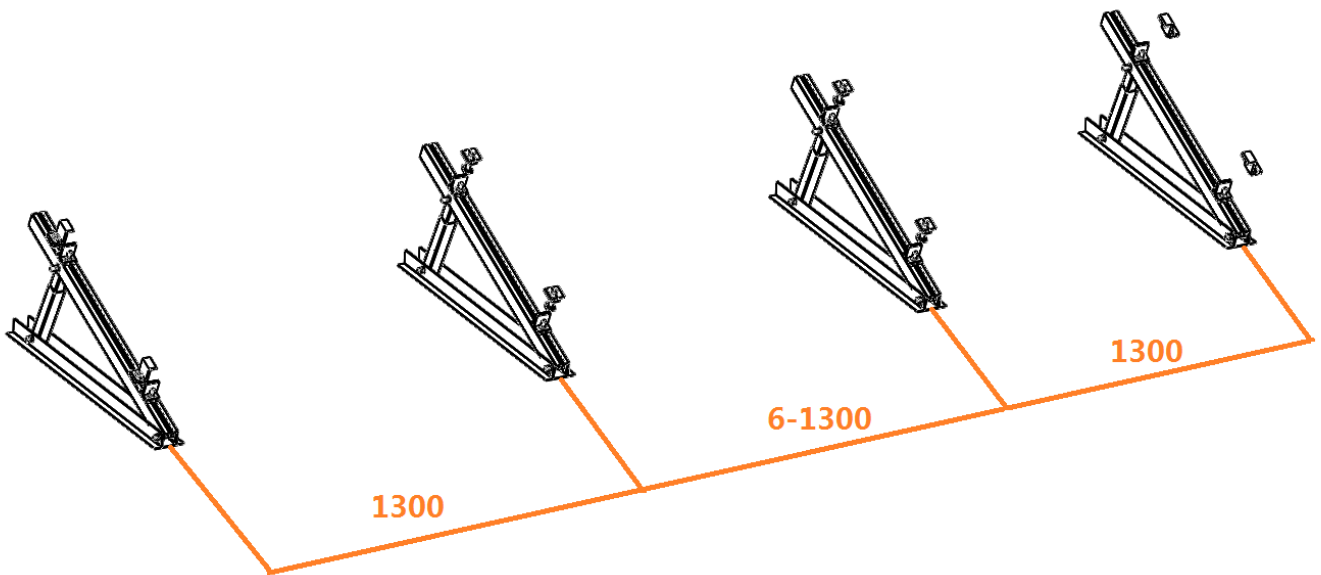
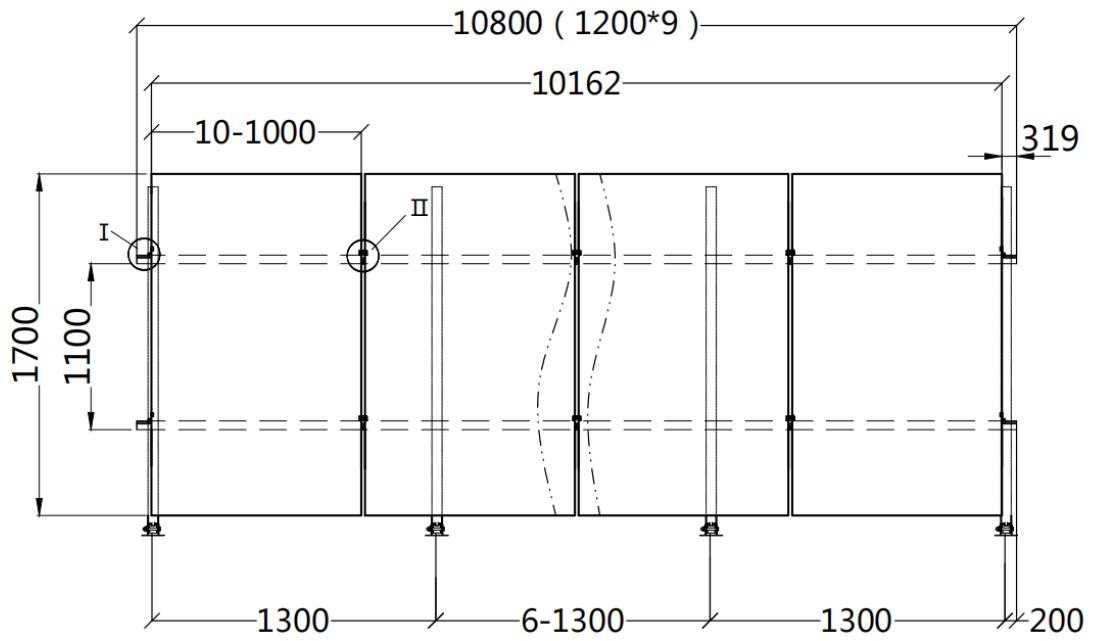
5-3	ING-TPF-3		32*32	
6	ING-STR-SC		40	

2. Installation Diagram

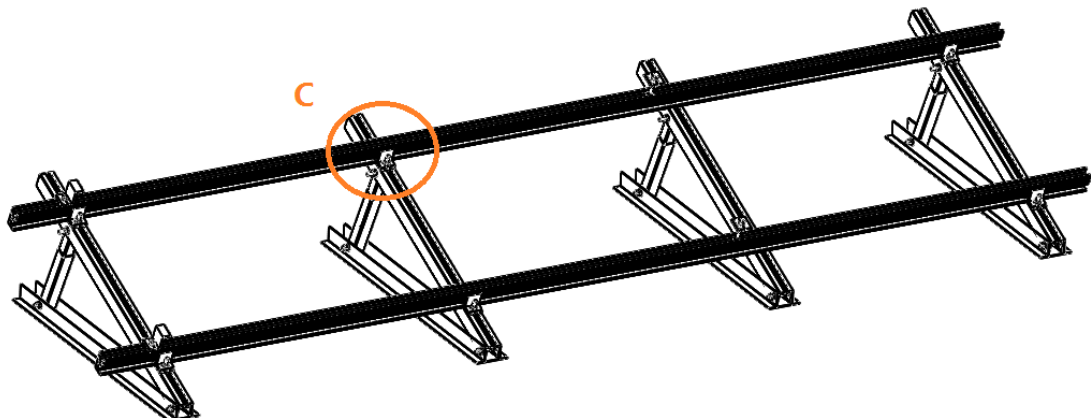


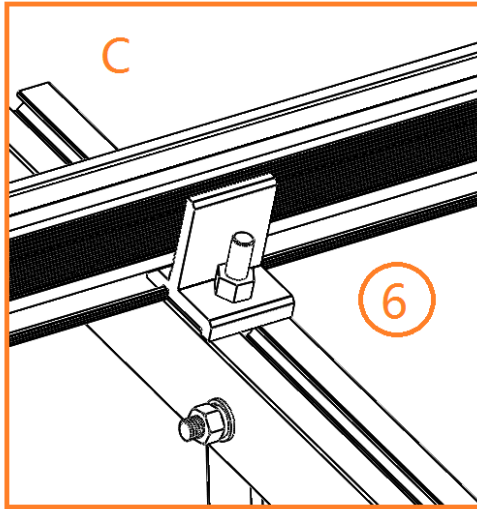


2.1 Installation for Triangular Mountings:

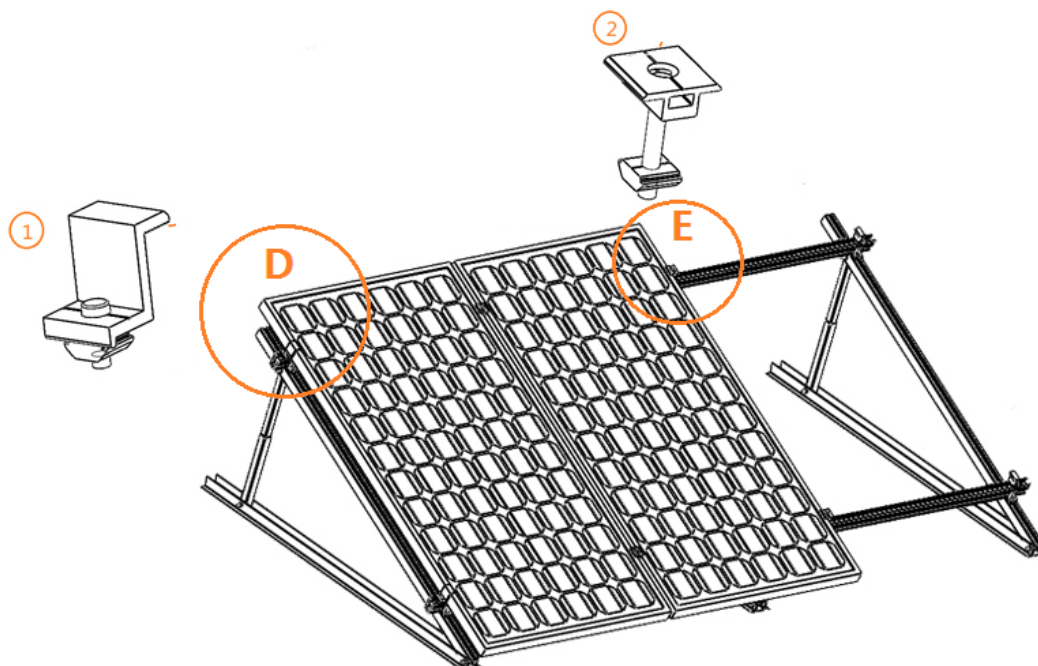
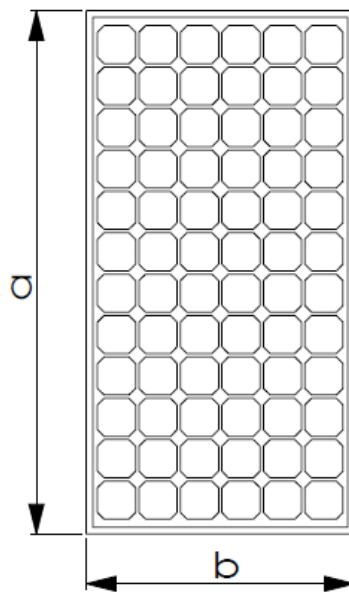


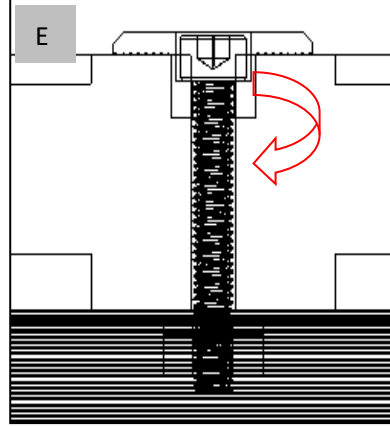
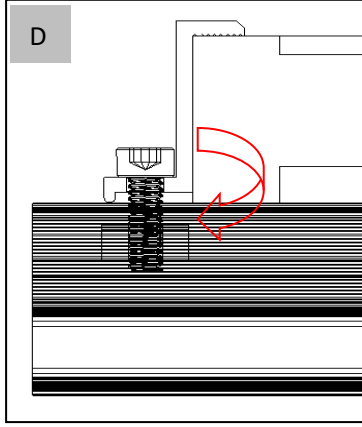
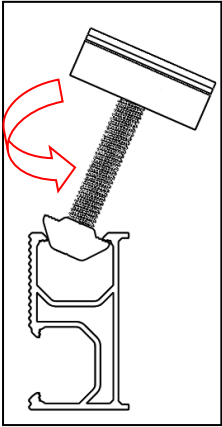
2.2 Installation for Rails:



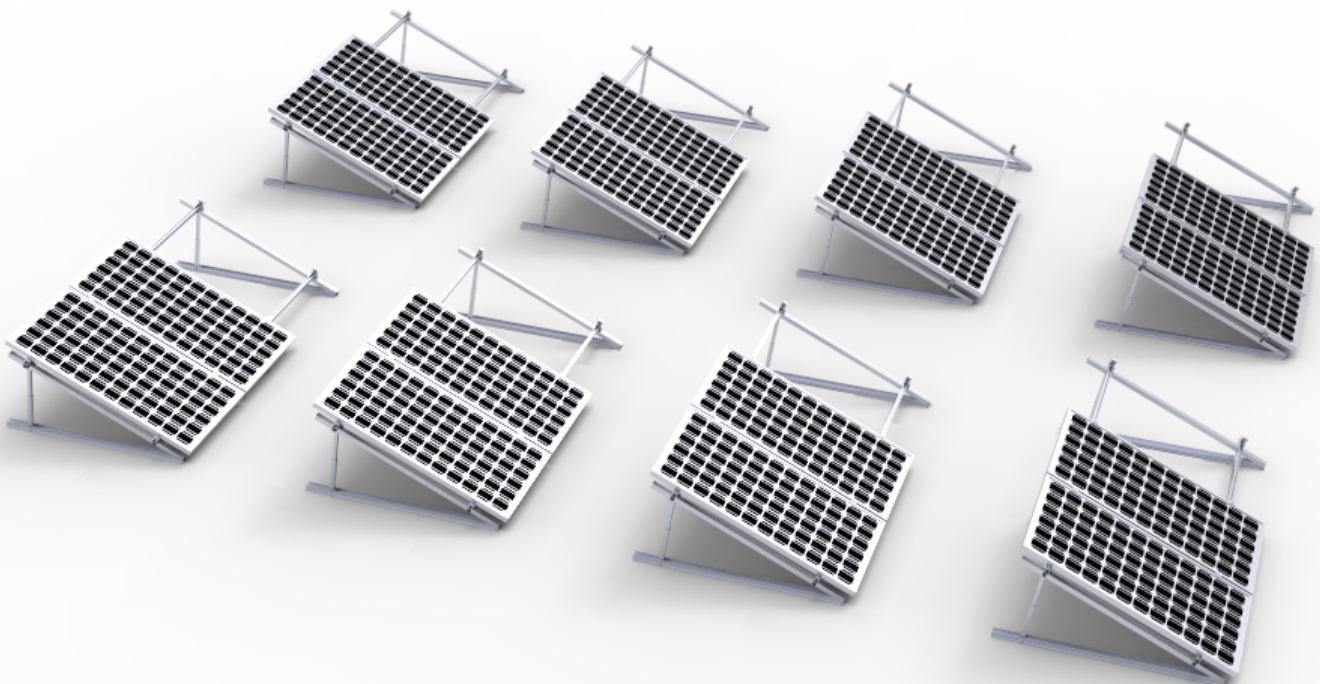
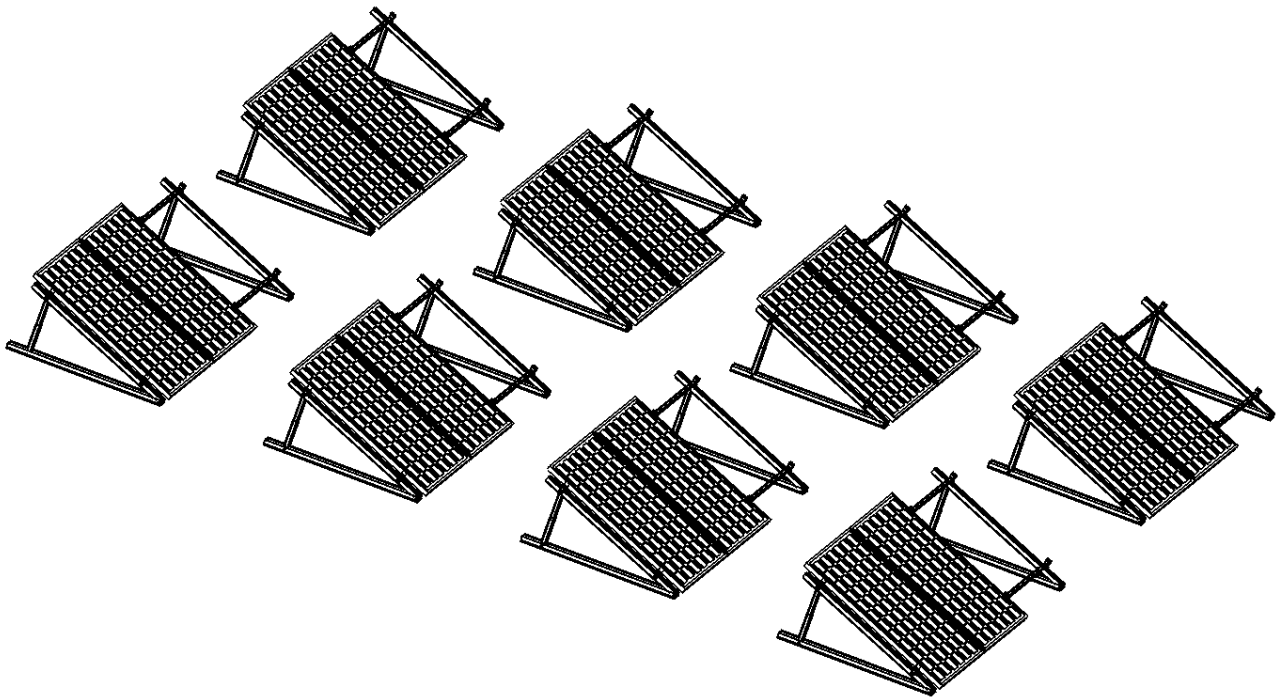


2.3 Installation for Modules:





2.4 Finish



3. Notice:

This installation is only applicable on our product. Please install strictly according to our providing install steps. We can not advise on other installation methods

1. Please do the necessary protective measures as power source is used under installation.
2. Product section is relatively sharp, please wear labor protection appliance to avoid your unnecessary injury.

6. Tools Preparation

Serial No.	Tools Name	Purpose
1	M8 Inner Hexagon Spanner	Using during installation of Side Pressing Block, Middle Press Block and Horizontal Press Block.
2	M12Hexagon Spanner, Socket Wrench	Using during installation of Support(M12*50)
3	Gloves, Safety hat, Protective eyewear, Safe Belt, Safety Footwear, Insulated Gloves and other necessary Safety Products.	

If there is any confusion during installation, please contact us!