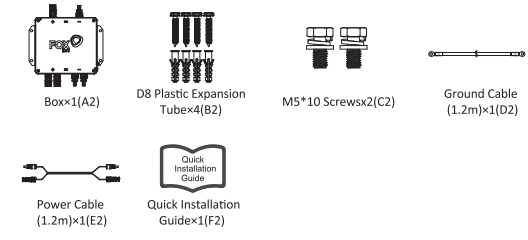


HV-junction box-50 Quick Installaton Guide

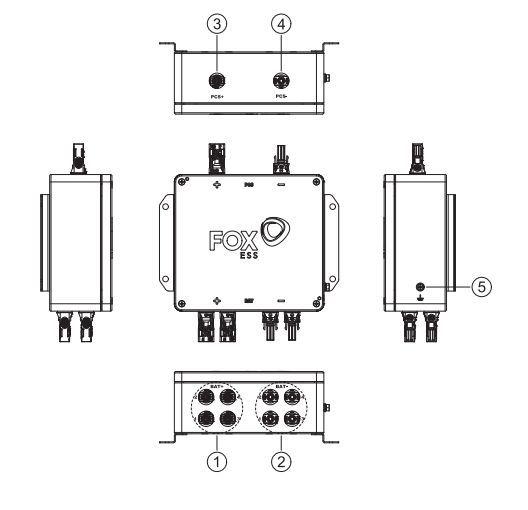
1. Tools Required



2. Packing List



3. Overview



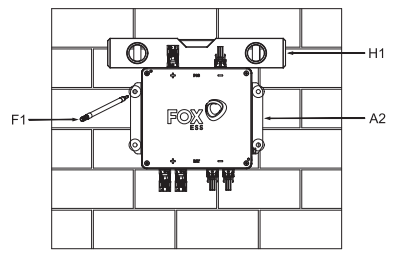
No.	Description
①	BAT+
②	BAT-
③	PCS+
④	PCS-
⑤	Ground Terminal

4. Preparation

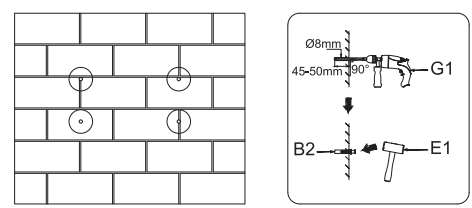
- Please avoid direct sunlight, rain exposure and snow build-up during installation and operation.
- To avoid overheating, always make sure the air flow around the box is not blocked.
- Do not install in places where gas or flammable substances may be present.
- Avoid electromagnetic interference that can compromise the correct operation of electronic equipment.
- The slope of the wall should be within $\pm 5^\circ$.
- Reserve more than 300mm of space around the junction box.

5. Installation Steps

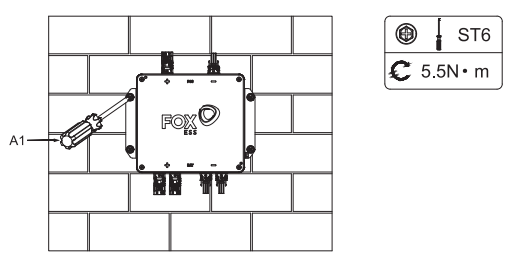
STEP-1:
Choose the place you want to install the junction box. Place the junction box on the wall a of the 4 holes from fixing blocks.



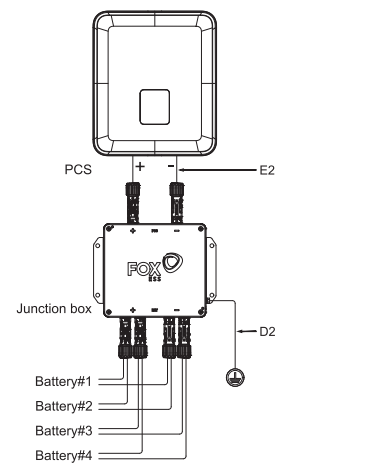
STEP-2:
Drill holes with hammer drill, make sure the holes are at least 45mm deep, and then tighten the expansion tubes.



STEP-3:
Insert expansion tubes into the holes and tighten them. Install the fixing blocks with expansion screws.

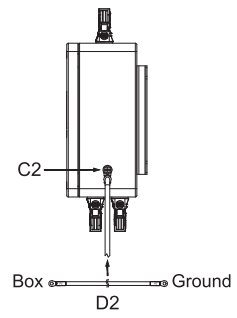


6. Wiring Steps

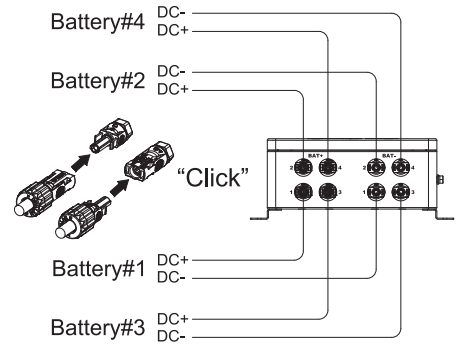


Note: Power cable must be pulled straight from the box for more than 80mm before bending.

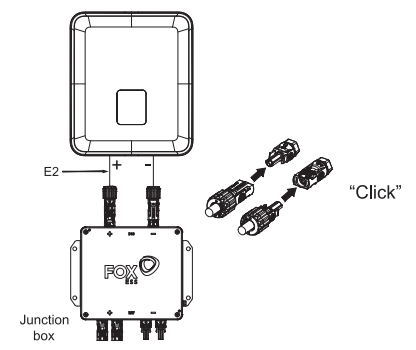
STEP-1:
Connect the cable (D2) from the junction box to the ground.



STEP-2:
Connect the power cable (included in the battery package list) from the battery to the junction box.



STEP-3:
Connect the power cable (E2) from the junction box to PCS.



Please scan the QR Code and follow the steps below to download our latest multi-language User Manual/Quick Installation Guide:
Scan the QR Code → Select your Language → Choose to download User Manual or Quick Installation Guide → Download

