

### CE-ES300

#### Features:

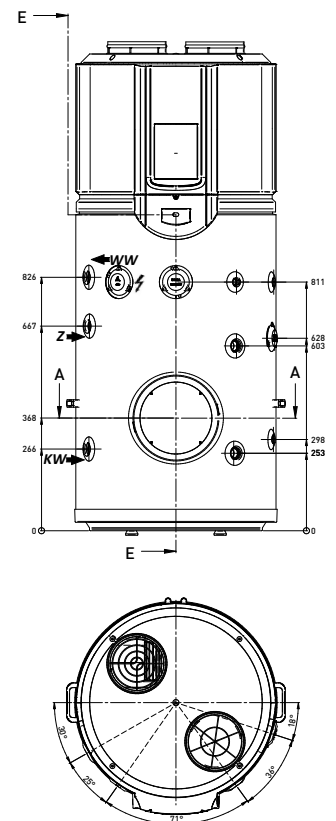
Water heating system with Integral air-source heat pump. The system utilizes the use of renewable energy and/or recovered waste heat energy.

- AISI 316L stainless steel tank pickled and passivated, welded with TIG and Plasma technology
- Front inspection hatch (100x150mm)
- Anti corrosion titanium electronic anode
- Thick polyurethane foam insulation (PU)
- Soft external PVC grey coating.
- Heat pump condenser coil wrapped outside the tank
- Environmentally-friendly refrigerant r134a
- Quiet Toshiba Rotary compressor
- 0.9 kW 230V~electric heating element (INOX Incoloy 800)
- Refrigerant pressure safety switches
- Air Supply and exhaust can be ducted from sources of heat
- Operating range with air temperature from -20 +43°C
- Automatic anti-legionella cycle and flexible programming
- Full range of ducting & accessories available
- Modbus Connectivity
- WiFi App
- Smart Grid Ready
- Large 1" Solar coil fitted as standard for secondary heat source
- Option to add a further 3kW independent element for Solar PV diverter or Backup



#### Specifications:

TECHNICAL DATA		CE-ES300
Capacity	Litres	306
Power Supply	V~/Hz/A	230/50/16
Refrigerant / Charge	Gas/Kg	R134a/1,20
Average Power Input (Heat pump only)	kW	0,627
Electric heating element	kW	0,9
Max Power Input	kW	1,527
Heating time (Heat pump only) <sup>3</sup>	Min	268
ErP 2017 Energy Class / Test Profile		A+/XL
Coefficient of performance EN 16147 (15°C) */**	COP */**	3,1/4,34
Coefficient of performance (26/43°C) ***	COP ***	5,18
Range of hot water	°C	38÷65
Range of use	°C	-20÷43
Range of use (Heat pump only)	°C	-7÷43
Max. noise level	Db (A)	53
Anti-legionella cycle temperature	°C	65
Max. operating pressure <sup>1/2</sup>	Mpa	0,6/1,2
Net weight	Kg	118
Heat Exchange surface	m <sup>2</sup>	1,30
Primary coil power****	kW	43,0
Hydraulic connection (KW-WW-Z-PV-PR)	Rp	1"
Number of sensor	Tr	2
Overall Dimensions	mm	650/2048



\*Ambient air 15°C, humidity 71%, inlet water temp. 15°C, Outlet water temperature 55°C. \*\*Outlet water temperature 45°C

\*\*\* Ambient air 26/43°C, humidity 71%, inlet water temp 15°C, Outlet water temperature 65°C. \*\*\*\* Primary Temperature 80°C / Secondary temp. 10÷45°C

<sup>1</sup>Max. operating pressure.<sup>2</sup>Max. pressure test according to EN 12897 P.4.4.1 <sup>3</sup>Heating time (water temperature 45°C), Ambient temp. 20°C, inlet water temp 15°C