

INSTALLATION INSTRUCTIONS

Billet Automatic Oil Thermostat

Part # 40-AOT180-22-B

Please read these instructions completely before beginning installation.

KIT CONTENTS

QTY.	DESCRIPTION
1	Automatic oil thermostat
1	Universal mounting bracket
4	M6 x 14mm button head socket screws

IMPORTANT

This sūsa component is machined with ProLine M22x1.5 threaded ports and flat-face sealing surface. These ports require use of specialized sūsa ProLine O-ring style adapters or direct-port hose ends (sold separately).

OPERATION SUMMARY

sūsa automatic oil thermostats are designed to allow fluid to by-pass a heat-exchanger until prescribed temperature (180°F) is reached. At prescribed temperature (180°F), the internal element closes, sending all fluid to the heat-exchanger.

- It is normal to be able to see straight through both ends of the sūsa automatic thermostat. The automatic by-pass function occurs due to the fluid taking the path of least resistance through the open by-pass hole when fluid is cold.
- A 180°F element actuation temperature does not mean the oil's temperature will run 180°F. It means oil will flow through the heat-exchanger when oil temperature exceeds 180°F.

INSTALLATION INSTRUCTIONS

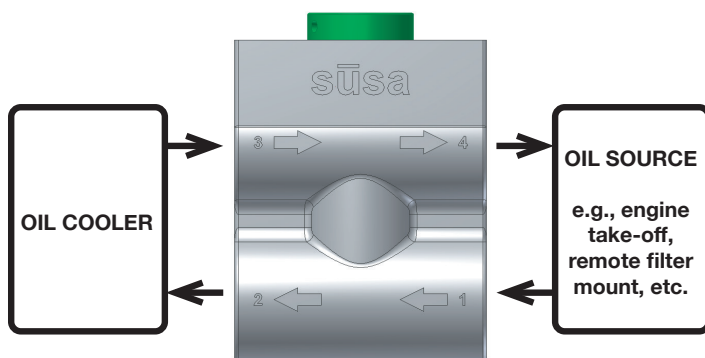
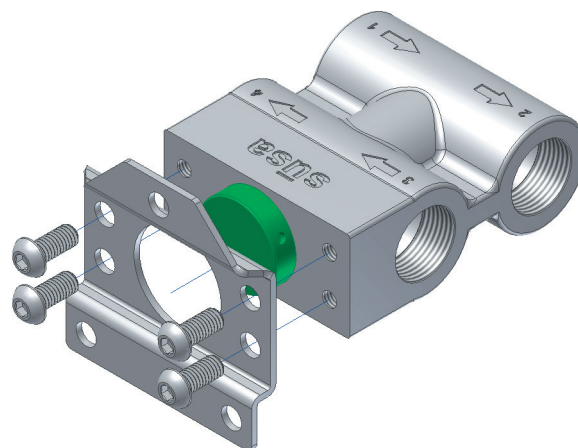
1. Select a location for oil thermostat mounting close to the oil source with a minimum of 6" of parallel hose routing.
2. Determine mounting orientation of thermostat and affix universal mounting bracket to automatic oil thermostat body using the four M6 x 14mm screws (included).
3. Determine appropriate size oil lines for application and install sūsa ProLine AN-adapters or direct-port hose ends (sold separately).
4. Tighten sūsa ProLine AN-adapters or direct-port hose ends to 29.5 lb/ft (40Nm).
5. Follow arrows & numbers on automatic oil thermostat body for in-line hose connections (see additional diagrams, right).

NOTE: If a remote oil filter system is employed, the automatic oil thermostat should be installed **AFTER** the filter.

6. Using the three available mounting holes in universal mounting bracket, affix bracket & thermostat assembly in the desired location. Screws or additional hardware for mounting not included. Suggested screw sizes for mounting bracket through-holes: 1/4" or M6.

FINALIZING INSTALLATION

7. Recheck that all fitting & hose connections are properly sealed, all hose routing is unobstructed and secure.
8. Installation of this component is complete. Proceed with installation of any additional oiling system component(s).



Ports on thermostat are labeled with numbers 1–4, representing the path of the oil flow:

- PORT #1:** Oil enters from source.
- PORT #2:** Oil exits to accessory (oil cooler).
- PORT #3:** Oil returns from accessory (oil cooler).
- PORT #4:** Oil returns to source.

Warning: Installation should only be attempted by those with mechanical skills and experience working on vehicles. Standard safety precautions consistent with the tools and dangers of automotive work should be followed to protect from injury. Specifically, wear protective equipment, take care to stabilize the vehicle on a level surface, engage the parking brake, and allow vehicle to cool before attemptation installation; failure to comply can result in injury and/or damage to equipment.

Accessory parts available:

DESCRIPTION		P/N	
O-rings for sūsa ProLine M22 fittings, Viton material, pack of 10 pieces		20-568019-V-10	
<i>Fittings & Hose Ends</i>	<i>Angle</i>	<i>AN Size</i>	<i>P/N Example</i>
<i>sūsa ProLine AN Adapter Fittings</i> M22 to AN adapters	00°, 45°, 90°	-6, -8, -10, -12	ex: 22-M22AN08-90 (M22 to -8 AN, 90°)
<i>sūsa ProLine Direct-port Hose Ends</i> (eliminate AN adapter!) ProLine M22 to PushLock ProLine M22 to ReUsable	00°, 45°, 90°	-6, -8, -10, -12	ex: 22-M22RU08-90 (M22 to -8 ReUsable, 90°)
<i>sūsa ProLine AN Hose Ends</i> Available in PushLock and ReUsable	00°, 30°, 45°, 60°, 90°, 120°, 150°, 180°	-6, -8, -10, -12	ex: 22-AN08RU08-90 (-8 AN to -8 ReUsable, 90°)