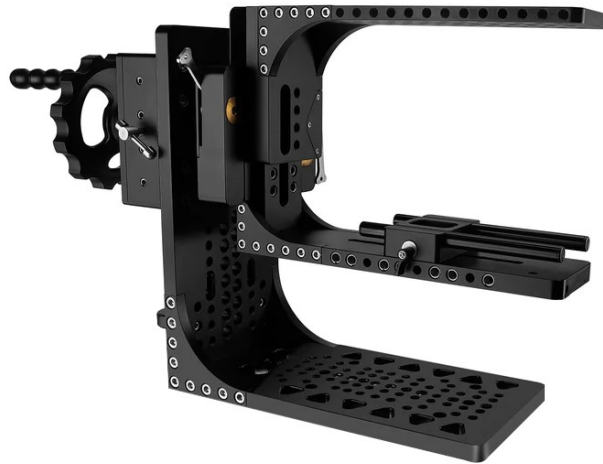


Spinhawk Professional 360° Rolling Video Camera Head (GH-SPHK-01)

Assembly Manual

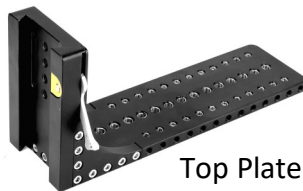


What's In The Box

Please inspect the contents of your shipped package to ensure you have received everything that is listed below.



Spinhawk Camera Head



Top Plate



Base Plate



2 x T-Type Allen Keys
(Sizes: 3/16mm, 6mm)



4 x Camera Bolts
(Sizes: 3/8" x 18mm)



Rod Adapter



2 x Camera Bolts
(Sizes: 3/8" x 12mm)



Flight Case

All rights reserved.

No part of this document may be reproduced, stored in a retrieval system, or transmitted by any form or by any means, electronic, mechanical, photo-copying, recording, or otherwise, except as may be expressly permitted by the applicable copyright statutes or in writing by the Publisher.



Safety Hints

- Do not start operating the head until you have read and understood the operating instruction.
- The assembly of the head should be done with extreme caution.
- Lack of attention while assembling the head can cause substantial damage to equipment/operator.
- The head should be operated on a stable surface.
- To prevent any harm to your camera, make sure you securely place and lock your camera setup.
- A balancing knob and locking lever are integrated into the head to lock the camera setup securely.
- The locking levers on the head ensure that the top and bottom plates holding the camera are both locked.
- If they are not locked, there is a risk of the camera slipping due to the loosening frame.
- Make sure you do not exceed the maximum payload capacity. Otherwise, it may cause severe damage to equipment.

Spinhawk Camera Head Setup

Assembling of Top & Bottom plate

- Push the locking lever on the both side of the Spinhawk camera head upwards.



- Properly insert the base plate in the Spinhawk camera head.

NOTE: There are strategically placed 3/8"-16 threaded holes for endless mounting capabilities .



- Push the locking lever of the base plate upward and insert the top plate.



- After inserting the top plate, push the locking lever of the top plate downward and lock the plate.



NOTE: It is Simple, Effective, and one of the most Affordable & High-Quality Gears designed for worldwide professionals to achieve an impressive 360° rotating scene with ultimate precision.



Assembling of Rod Adapter

- Attach the Rod Adapter by properly matching it with the threads of the top plate and properly tighten it using the screw driver (**Not Included**).



NOTE: There are 15mm rods support complete your setup with accessories like a matte box and follow focus & lens support.



Mounting of Fluid Head

- Remove the castle ring of the Fluid Head (**Not Included**) and mount it on the stand (**Not Included**).

NOTE: You can use it with a heavy fluid head to get impressive footage with smooth pans, controlled tilts, and seamless transitions.



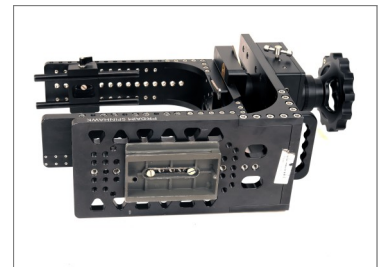
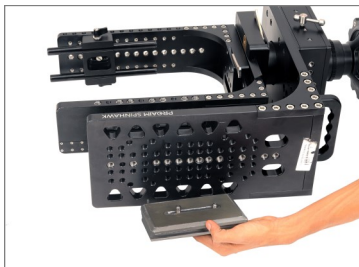
- Attach the castle ring at the bottom of the fluid head and then tighten it properly.



- Slide the camera plate by pressing the push pin of the Fluid head and then remove the plate.



- Attach the camera plate by matching it properly with the threads of the Spinhawk.



- Properly slide the camera on the Fluid Head.

NOTE: It securely mounts your film video camera equipped with 3/8"-16 mounting holes to a tripod or fluid head; you can even bolt the head to the table, suiting the availability.



360° Rotation of Spinhawk

- Open the wheeled crank handle of the Spinhawk Camera Head.

NOTE: The head is equipped with an ergonomic wheeled crank handle that lets you easily rotate the rig and allows for more effortless visual adjustment to specific positions.



- Loosen the balancing knob of the Spinhawk camera head and rotate the plates of the Spinhawk using the crank handle and then set the position of the plates accordingly.

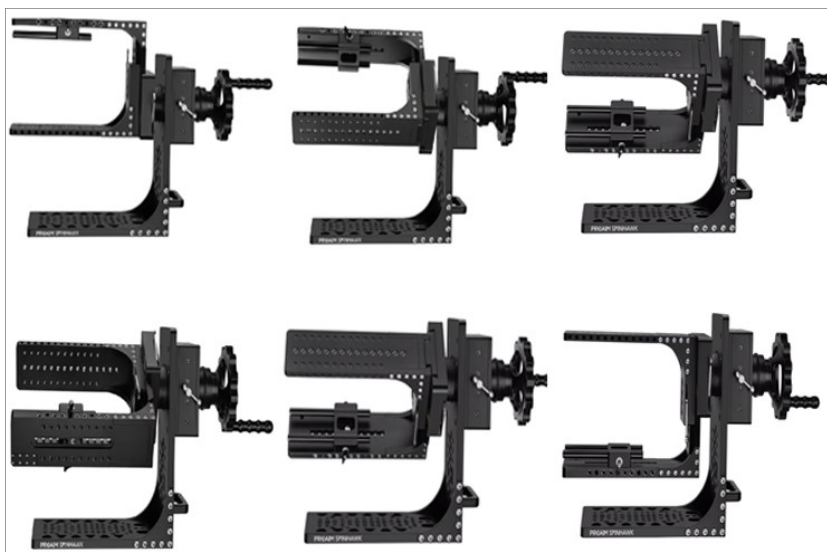


- After rotating the plates of the Spinhawk, properly tighten them using the balancing knob.

NOTE: A balancing Knob & locking lever integrated into the head ensures a secure lock-off to the camera setup.

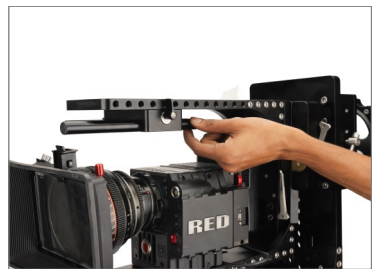
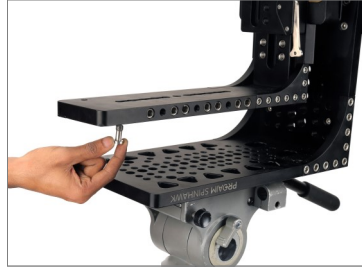


360° Rotation of Spinhawk Camera Head with Ultimate Precision.



Camera Mounting Setup

- Insert the camera bolt in the base plate and mount the camera by matching the camera with the threads of the bolt.
- After mounting the camera, tighten it properly using the screw driver (**Not Included**).
- Camera can also be mounted on the base plate without the top plate, as shown in the image.
- Loosen the adjustment knob of the Rod Adapter and set the position of the rods accordingly.
- After setting the position of the rods, properly tighten them using the adjustment knob.
- Attach the Follow Focus (**Not Included**) to the rods of the Rod Adapter and properly tighten it with the red knob.



NOTE: The head is compatible with practically all cameras on the market, including the Arri Alexa mini/LF, Alexa LF, Alexa65, RED DSMC2 cameras, Sony Venice, Panavision cameras, and of course, with your small or huge lenses.



YOUR PROAIM SPINHAWK PROFESSIONAL ROLLING CAMERA HEAD ALL DRESSED UP AND READY TO GO!



(SHOWN WITH OPTIONAL ACCESSORIES)

Warranty: We offer one year warranty for our products from date of purchase. Within this period of time, we will repair it without charge for labor or parts. Warranty doesn't cover transportation costs nor does it cover a product subjected to misuse or accidental damage. Warranty repairs are subjected to inspection and evaluation by us.

Liability: We are not liable for damage caused by products that we do not supply or from mishandling in transit, accident, misuse, neglect, lack of care of the product, or service by anyone other than our company.

Contact Us: In case of any kind of dissatisfaction, please Contact us immediately and we promise our utmost support and care until you use our product.