

# Orbiter Pan & Tilt Video Tripod Head (VH-OBTR-01)

---

## Assembly Manual

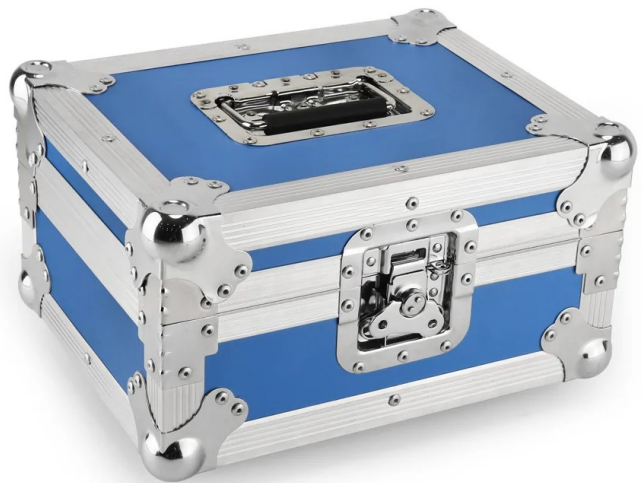


### What's In The Box

Please inspect the contents of your shipped package to ensure you have received everything that is listed below.



Proaim Orbiter Video Tripod Head



Flight Case

---

All rights reserved.

No part of this document may be reproduced, stored in a retrieval system, or transmitted by any form or by any means, electronic, mechanical, photo-copying, recording, or otherwise, except as may be expressly permitted by the applicable copyright statutes or in writing by the Publisher.

## Orbiter Pan & Tilt Setup

- The Orbiter can be tilted to a 25° position by loosening its knob.

**NOTE:** The Orbit head offers a 360° panning and 25° tilt range with the privilege of precise marking points for perfect tilting.



**NOTE:** Pan and tilt axis have brakes for lock-off shots and camera safety. This High-grade CNC Aluminum body features roller bearings for extreme precision.



- Attach the camera (Not Included) using the Orbiter Camera Bolt and then tighten it properly, as shown in the image.



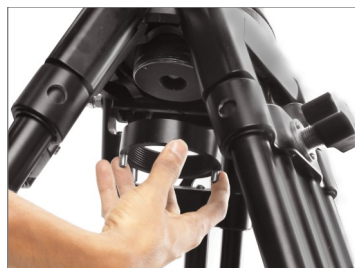
**NOTE:** It securely mounts to any large or medium camera plate or any large or medium format camera equipped with 3/8"-16 mounting holes.



- Mount the Fluid head (Not Included) to the top mounting part of the tripod (Not Included).



- Match the bottom part of the tripod with the Castle Ring and then tighten it properly.



- Push the knob of the Fluid head (Not Included) and remove the plate.



- Attach the Fluid head (Not Included) by matching it to the thread of the Orbiter at the base and then properly tighten it using the screw driver.



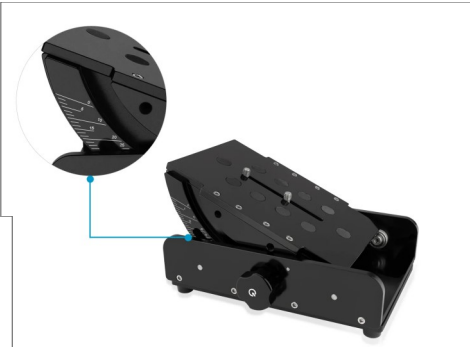
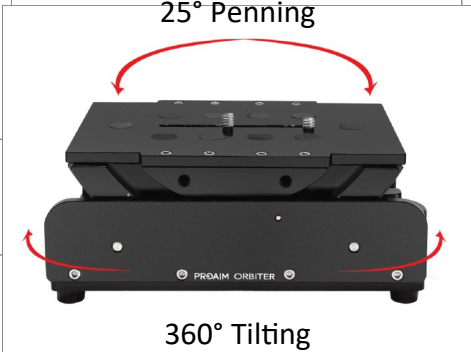
- After attaching the Fluid head plate to the Orbiter, attach the Fluid head by sliding it onto the plate, as shown in the image.



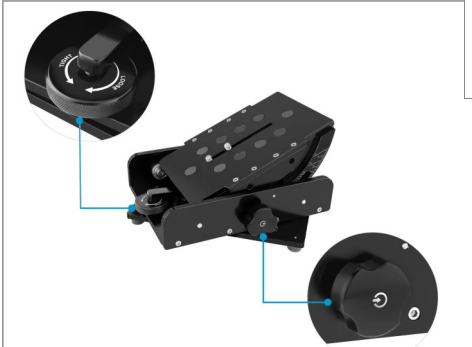
### Multiple Feature of Orbiter Pan & Tilt Video Tripod Head



Four Non stick Rubber feet



Marking Points for Perfect Tilt



Lock off shorts & Camera safety



High-End Roller Bearings

**YOUR PROAIM ORBITER PAN & TILT VIDEO TRIPOD HEAD  
ALL DRESSED UP AND READY TO GO!**



**(SHOWN WITH OPTIONAL ACCESSORIES)**

**Warranty:** We offer one year warranty for our products from date of purchase. Within this period of time, we will repair it without charge for labor or parts. Warranty doesn't cover transportation costs nor does it cover a product subjected to misuse or accidental damage. Warranty repairs are subjected to inspection and evaluation by us.

**Liability:** We are not liable for damage caused by products that we do not supply or from mishandling in transit, accident, misuse, neglect, lack of care of the product, or service by anyone other than our company.

**Contact Us:** In case of any kind of dissatisfaction, please Contact us immediately and we promise our utmost support and care until you use our product.