

Assembly Manual



■ What's In The Box

Please inspect the contents of your shipped package to ensure you have received everything that is listed below.



Monitor Stand



3 x Caster Wheels



16mm Spanner

All rights reserved.

No part of this document may be reproduced, stored in a retrieval system, or transmitted by any form or by any means, electronic, mechanical, photo-copying, recording, or otherwise, except as may be expressly permitted by the applicable copyright statutes or in writing by the Publisher.

Camera Stand Setup

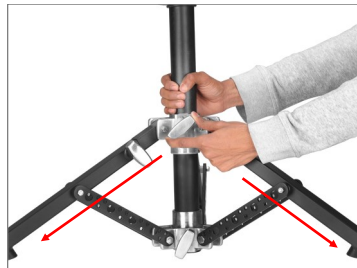
- Loosen the knob of the Monitor Stand and stretch out its legs.

Feature: This stand offers smooth and effortless movement across the set, allowing you to position your gear with ease and efficiency.

- After stretching out the legs, re-tighten the knob to lock the leg's position.

- Now, loosen both (Top/ Bottom) knobs of the Monitor Stand.

- After loosening the knob, adjust the height of the Stand.
- Once the Stand is at the desired height, re-tighten both the knobs to secure it.



Caster Wheel Mounting

- Insert the Caster wheel into the Monitor Stand leg.
- Then, tighten the Caster wheel using a 16mm spanner.
- Repeat the same process to attach the remaining Caster wheels.

Feature: The Stand is equipped with 3" caster wheels featuring brakes.



- Push the wheel brake downwards to halt its movement.

Feature: Each wheel has a customized footbrake that locks the stand in its position.

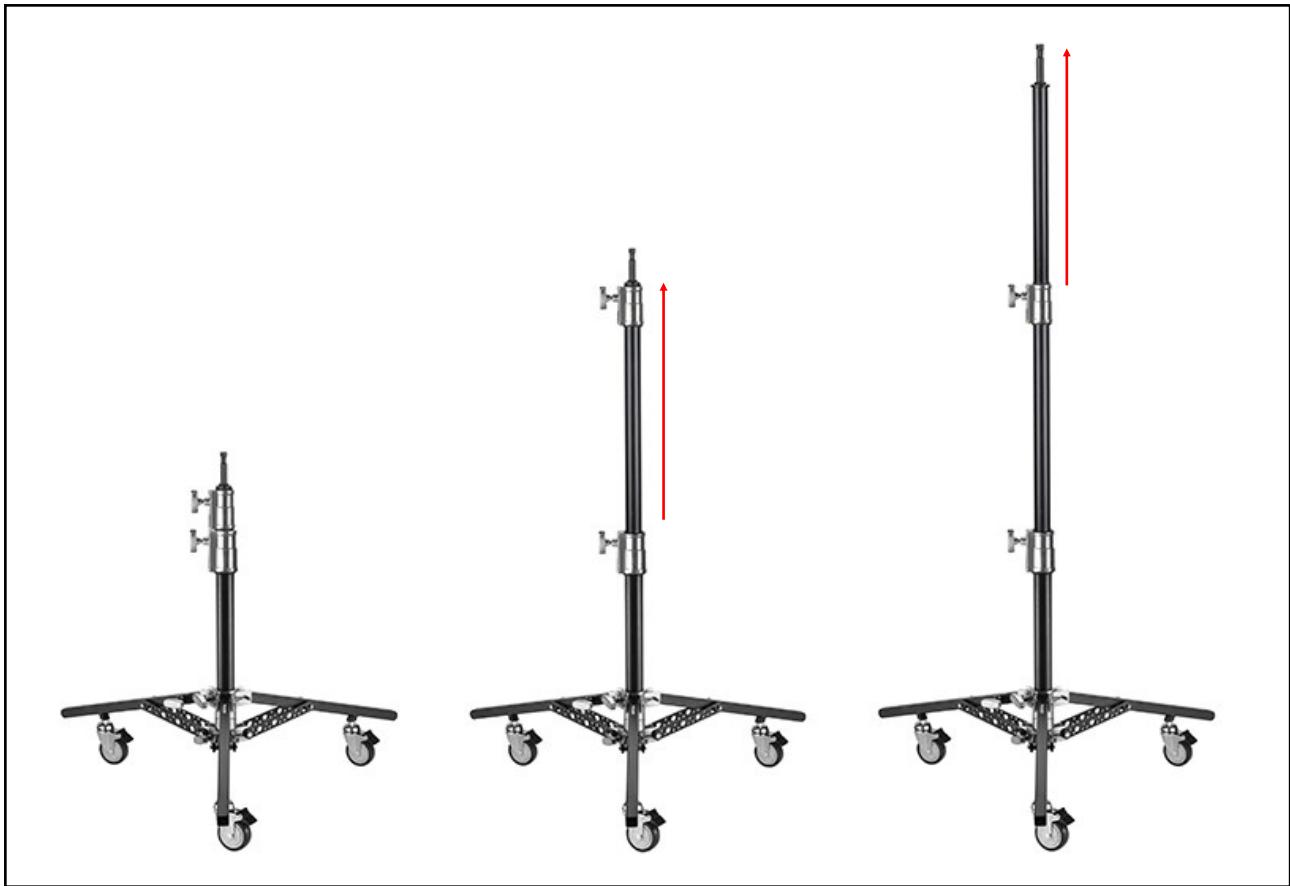


Height Adjustment

- Loosen the top and bottom knob of the Monitor stand.
- Now, adjust the height of the stand and re-tighten the knobs to secure it.



Height Adjustment



Screen Mounting

- Loosen the knob of the Monitor mount and mount it on the Monitor Stand.

NOTE: The 5/8" baby pin mounting securely attaches a wide range of monitors, lights, and other support gear.



- After mounting the screen on the stand tighten the screen mount's knob to secure it.



Leveling Leg For Uneven Surface

- Loosen the locking knob of the leveling leg and extend the leveling leg per your requirement.
- After balancing the Leveling Leg, re-tighten the locking knob to secure it.



FEATURE: The monitor stand navigates uneven terrains confidently with its adjustable rocky mountain leg.



**YOUR PROAIM DOUBLE RISER ROLLING MONITOR STAND
ALL DRESSED UP AND READY TO GO!**



(SHOWN WITH OPTIONAL ACCESSORIES)

Warranty: We offer a one-year warranty for our products from the date of purchase. Within this period, we will repair it without charge for labor or parts. The warranty doesn't cover transportation costs, nor does it cover a product subjected to misuse or accidental damage. Warranty repairs are subject to inspection and evaluation by us.

Liability: We are not liable for damage caused by products we do not supply or from mishandling in transit, accident, misuse, neglect, or lack of care of the product or service by anyone other than our company.

Contact Us: If you are dissatisfied, please contact us immediately. We promise our utmost support and care until you use our product.