

Mitchell Vibration Isolator for Gimbals (VB-MTCL)

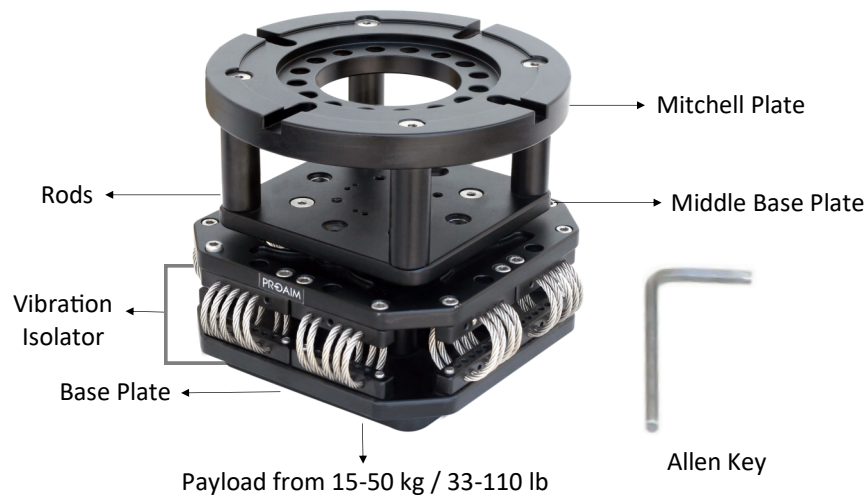
Assembly Manual



What's In The Box

Please inspect the contents of your shipped package to ensure you have received everything that is listed below.

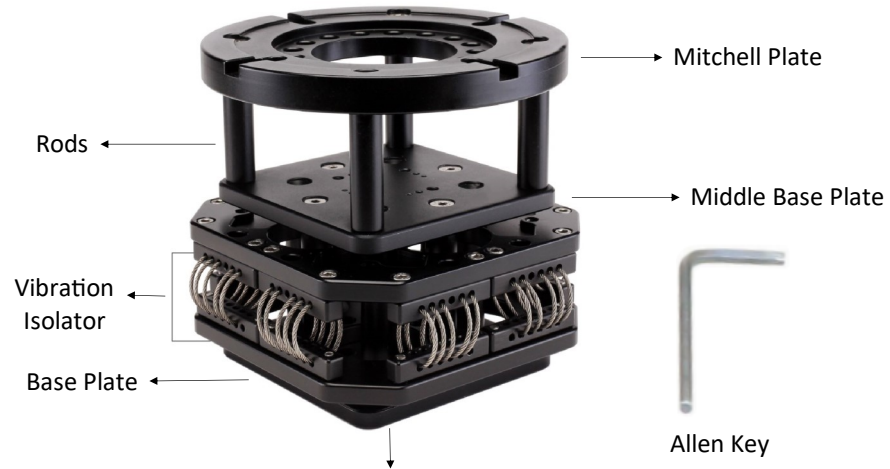
Note: *If you have purchased (VB-MTCL-00), you will receive the following:*



All rights reserved.

No part of this document may be reproduced, stored in a retrieval system, or transmitted by any form or by any means, electronic, mechanical, photo-copying, recording, or otherwise, except as may be expressly permitted by the applicable copyright statutes or in writing by the Publisher.

Note: If you have purchased (VB-MTCL-02), you will receive the following:



Mitchell Isolator Setup

- Attach Mitchell Vibration Isolator with plate of your setup and tighten to secure it properly.

NOTE: The isolator plate can be fixed both Over Slung and Under Slung, as per your requirement.



- Then loosen the bolts of Mitchell plate and insert Castle Ring into it. Connect any Gimbal Mount with Castle Ring as shown in the image.



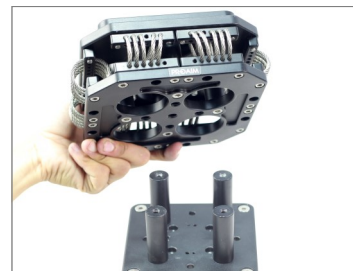
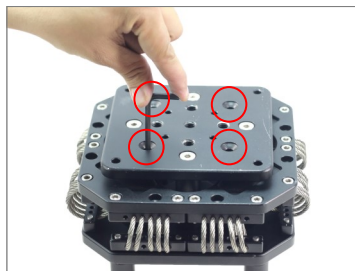
Isolator Base Plate Setup

NOTE: You can also attach only Vibration Isolator Plate by removing the Mitchell Plate.

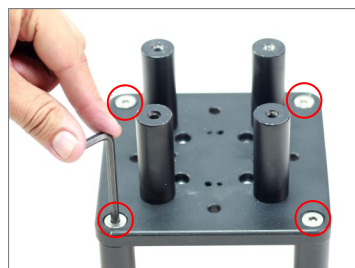
- Loosen bolts on Mitchell Plate with help of allen key and remove the plate. Your equipment will look as shown in image.



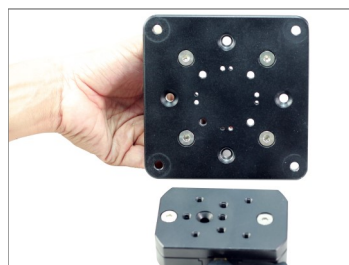
- Turn Isolator upside-down & loosen the bolts to remove Isolator with Base Plate.



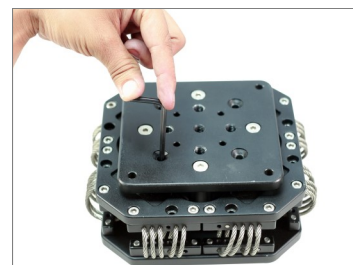
- Now loosen 4 corner bolts of Middle Base Plate and remove Rods as shown in image.



- Then attach Middle Base Plate with Ronin Plate (Not Included). Insert the bolts and tighten them with help of allen key.



- Now attach this Middle Base Plate with Isolator Plate and tighten the bolts accurately with allen key, as shown in image.



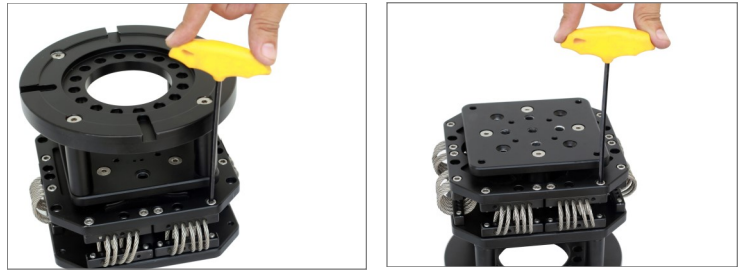
- Finally, you can mount Base Plate with L-plate of your Isolator Arm (Not Included) and mount your Gimbal.



Single Spring Set Setup

NOTE: *Vibration Isolator can also be customized with Single Spring configuration for using with lightweight setups from 15-30kg / 33-66lb.*

- Loosen the bolts from top and bottom of Vibration Isolator.



- Then remove bolts and one wire set from Vibration Isolator plate.



- Now adjust other wire set in center of the Vibration Isolator and tighten all allen bolts to secure spring set appropriately



**YOUR PROAIM MITCHELL VIBRATION ISOLATOR FOR GIMBALS
ALL DRESSED UP AND READY TO GO!**



(SHOWN WITH OPTIONAL ACCESSORIES)

Warranty: We offer one year warranty for our products from date of purchase. Within this period of time, we will repair it without charge for labor or parts. Warranty doesn't cover transportation costs nor does it cover a product subjected to misuse or accidental damage. Warranty repairs are subjected to inspection and evaluation by us.

Liability: We are not liable for damage caused by products that we do not supply or from mishandling in transit, accident, misuse, neglect, lack of care of the product, or service by anyone other than our company.

Contact Us: In case of any kind of dissatisfaction, please Contact us immediately and we promise our utmost support and care until you use our product.