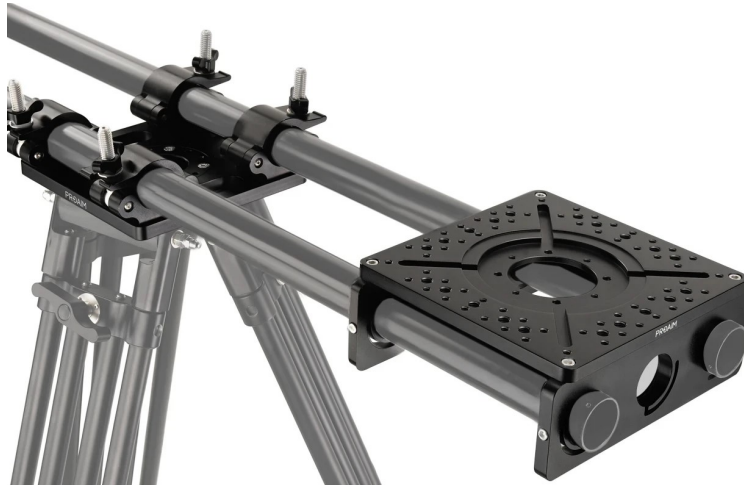


Mitchell Twin Tube Paddle Mount (P-TTPM-01)

Assembly Manual



What's In The Box

Please inspect the contents of your shipped package to ensure you have received everything that is listed below.



Male Twin Tube Paddle Mount



Female Twin Tube Paddle Mount



Castle Nut Wrench



5/12 Ss Allen Bolt

All rights reserved.

No part of this document may be reproduced, stored in a retrieval system, or transmitted by any form or by any means, electronic, mechanical, photo-copying, recording, or otherwise, except as may be expressly permitted by the applicable copyright statutes or in writing by the Publisher.

Twin Tube Mount Setup

- Loosen the castle ring from the male twin tube paddle mount and attach the male mount on the Mitchell tripod stand.

Note: You can also mount the male twin tube paddle mount on the Mitchell tripod or the gravity tripod.

- After mounting it on the Mitchell stand, secure it with the castle ring and insert the speed rail.

- Secure the speed rail correctly with the help of the knob, as shown in the image.

- Place the female twin tube mount on the speed rail and tighten the 5/12s allen bolt with the help of an allen key.

Note: you can mount your complete film-making setup with the heaviest gimbals on the female Mitchell mount.

- You can slide the female twin tube paddle mount on the speed rail according to your setup.

Note: Proaim twin tube paddle mount delivers 360° rotational lockable shots.

- Attach the fluid head to the female twin tube mount, as shown in the images.



- Once the fluid head is mounted, secure it with a castle ring and mount the camera on it.



- Put the sandbag on the speed rail to balance according to your camera setup, as shown in the images.



YOUR PROAIM MITCHELL TWIN TUBE PADDLE MOUNT ALL DRESSED UP AND READY TO GO!



(SHOWN WITH OPTIONAL ACCESSORIES)

Warranty: We offer one year warranty for our products from date of purchase. Within this period of time, we will repair it without charge for labor or parts. Warranty doesn't cover transportation costs nor does it cover a product subjected to misuse or accidental damage. Warranty repairs are subjected to inspection and evaluation by us.

Liability: We are not liable for damage caused by products that we do not supply or from mishandling in transit, accident, misuse, neglect, lack of care of the product, or service by anyone other than our company.

Contact Us: In case of any kind of dissatisfaction, please Contact us immediately and we promise our utmost support and care until you use our product.