

# Height Adjustable Telescopic Poles for Victor Lite Carts (VCTR-LT-HAP)

## Assembly Manual



### What's In The Box

Please inspect the contents of your shipped package to ensure you have received everything that is listed below.



4 x Height Adjustable Telescopic Poles

All rights reserved.

No part of this document may be reproduced, stored in a retrieval system, or transmitted by any form or by any means, electronic, mechanical, photo-copying, recording, or otherwise, except as may be expressly permitted by the applicable copyright statutes or in writing by the Publisher.

## Telescopic Poles Setup

- Remove the locking knobs at all corners of the top shelf of the Victor Lite Cart (Not Included) by loosening them.



- Now, remove the top shelf by lifting it upwards.

**NOTE:** Two people are required to detach the top shelf from the foldable rods.



- After removing the top shelf, loosen and remove the bolts and washers of the rod on the bottom shelf.



- After removing the bolts from the Foldable Rod, loosen the locking knobs from both sides, as shown in the image.



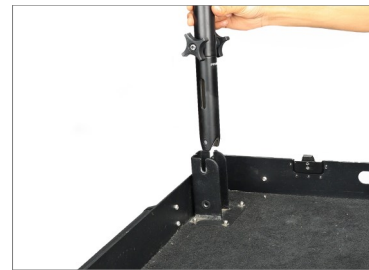
- Now, remove the Foldable Rod from the bottom shelf.
- Similarly, follow the same steps to remove the remaining rods.



- All rods from the Victor Lite Cart (Not Included) have been removed.
- Loosen and remove the bolts of the Adjustable Telescopic Poles.



- Follow the same process to remove bolts from the remaining Adjustable Telescopic Poles.
- Attach the Adjustable Telescopic Pole to the bottom shelf of the Victor Lite cart.



- After attaching to Pole, insert the bolt, as shown in the image.



- After inserting the bolt, tighten it using the Allen key and wrench.



- Detach the Locking knobs, as shown in the image.



- Insert the locking knob in the provided hole of the adjustable Pole and insert the second knob from outside, as shown in the image.
- Tighten the knobs to secure the attachment.

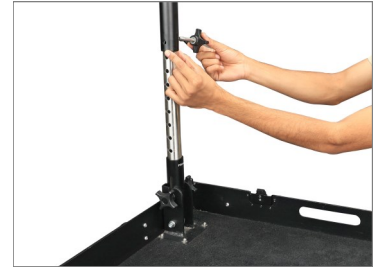


- Remove the upper knob fixed in the adjustable pole by loosening it.

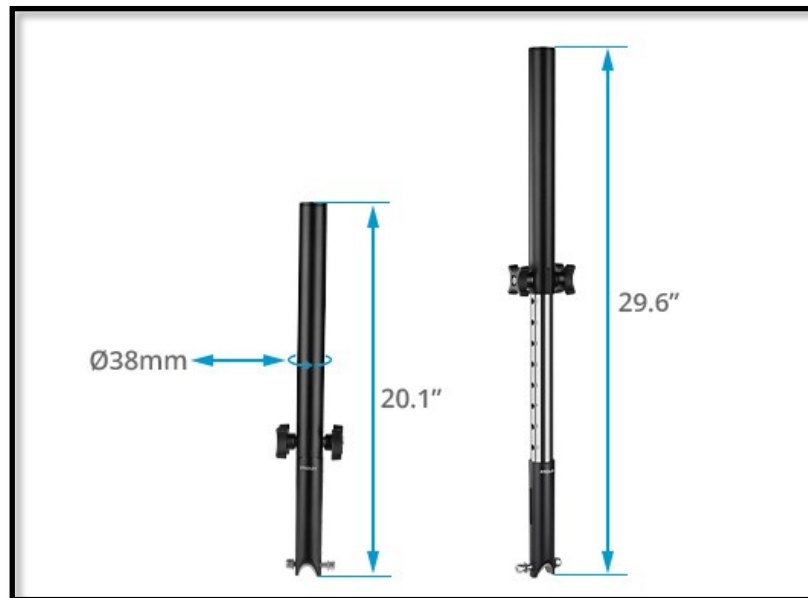


- Adjust the height of the adjustable Pole per your requirement and insert the locking knob in the Pole to fix the Pole.

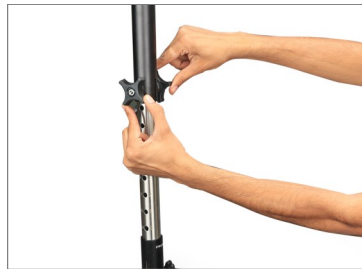
**NOTE:** The adjustable poles extend the height and range of operation of the Victor Lite Cart.



## Height Range- 2.46ft / 29.6" To 1.67ft / 20.1"



- After inserting the knobs, tighten them to secure the Pole at your desired height.
- Similarly, secure the remaining Poles at the desired height and tighten their knobs, as shown in the image.



- Mount the top shelf of the Victor cart on the rod.
- Insert the Locking knobs on all corners of the top shelf.

**Features:** The height of the top shelf can be adjusted from 2.46 feet / 29.6" to 1.67 feet / 20.1"



- The locking knobs are properly attached all to four corners of the cart's top shelf.

**Feature:** The aluminum Poles easily lock into place at the desired height range, ensuring longevity and ease of use.



## YOUR PROAIM HEIGHT ADJUSTABLE POLES FOR VICTOR LITE CARTS ALL DRESSED UP AND READY TO GO!



(SHOWN WITH OPTIONAL ACCESSORIES)

**Warranty:** We offer one year warranty for our products from date of purchase. Within this period of time, we will repair it without charge for labor or parts. Warranty doesn't cover transportation costs nor does it cover a product subjected to misuse or accidental damage. Warranty repairs are subjected to inspection and evaluation by us.

**Liability:** We are not liable for damage caused by products that we do not supply or from mishandling in transit, accident, misuse, neglect, lack of care of the product, or service by anyone other than our company.

**Contact Us:** In case of any kind of dissatisfaction, please Contact us immediately and we promise our utmost support and care until you use our product.