

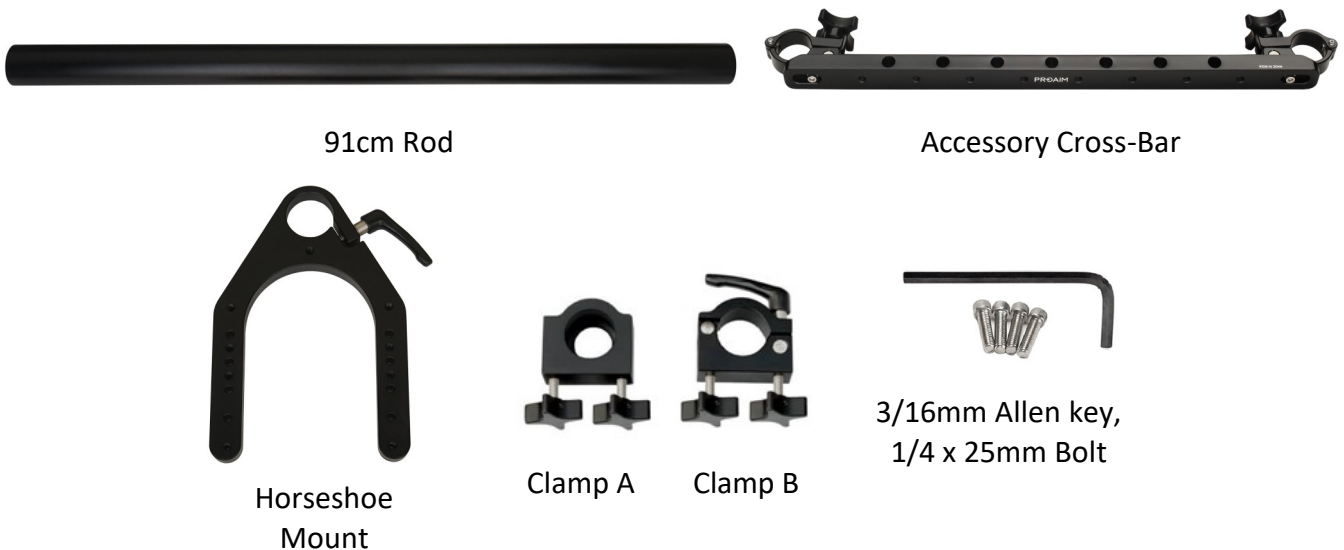
Camera Mount System for Camera Cart (VCTR-CM)

Assembly Manual



What's In The Box

Please inspect the contents of your shipped package to ensure you have received everything that is listed below.



91cm Rod

Accessory Cross-Bar



Horseshoe Mount



Clamp A



Clamp B



3/16mm Allen key,
1/4 x 25mm Bolt

All rights reserved.

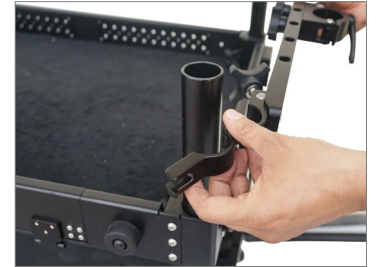
No part of this document may be reproduced, stored in a retrieval system, or transmitted by any form or by any means, electronic, mechanical, photo-copying, recording, or otherwise, except as may be expressly permitted by the applicable copyright statutes or in writing by the Publisher.

Camera Mount System Setup

- Align and attach clamp B to the accessory crossbar, insert the knobs and tighten them properly.



- Loosen the side clamp knobs of the crossbar and mount the crossbar on the rods of the cart.



- Tighten the clamp knobs properly to secure the crossbar.



Note: If the clamps on the crossbar are too tight when the product is received or do not get clamped on the cart rods properly, then slightly loosen the Allen bolt to adjust and clamp them on to the rods.

- Attach clamp A to the bottom crossbar, insert the knobs and tighten them properly.



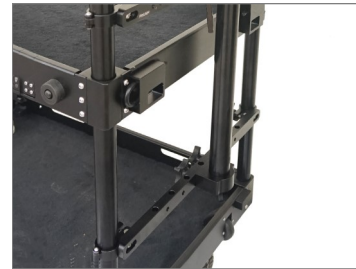
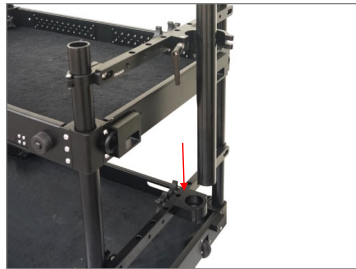
- Image showing clamp attached to the bottom crossbar of the cart.



- Loosen the ratchet knob and open clamp B on the top crossbar.



- Insert the 91cm rod into both the clamp holes.



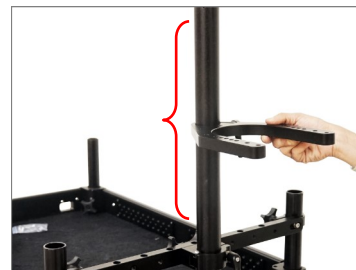
- Tighten the ratchet knob of clamp B.



Horseshoe Mounting

- Slide the Horseshoe Mount onto the 91cm Rod.

Note: You can change the position of the Horseshoe Mount on the Rod as per your requirement.



- Tighten the ratchet knob of the horseshoe mount.



- Place the Mitchell Plate on top of the Horseshoe Mount, align their threads, and insert (1/4 x 25mm) bolts.



- Secure the bolts with a 3/16mm Allen Key.



- Cart setup with Camera Mount System is ready.



YOUR PROAIM CAMERA MOUNT SYSTEM FOR CAMERA CART ALL DRESSED UP AND READY TO GO!



(SHOWN WITH OPTIONAL ACCESSORIES)

Warranty: We offer one year warranty for our products from date of purchase. Within this period of time, we will repair it without charge for labor or parts. Warranty doesn't cover transportation costs nor does it cover a product subjected to misuse or accidental damage. Warranty repairs are subjected to inspection and evaluation by us.

Liability: We are not liable for damage caused by products that we do not supply or from mishandling in transit, accident, misuse, neglect, lack of care of the product, or service by anyone other than our company.

Contact Us: In case of any kind of dissatisfaction, please Contact us immediately and we promise our utmost support and care until you use our product.