

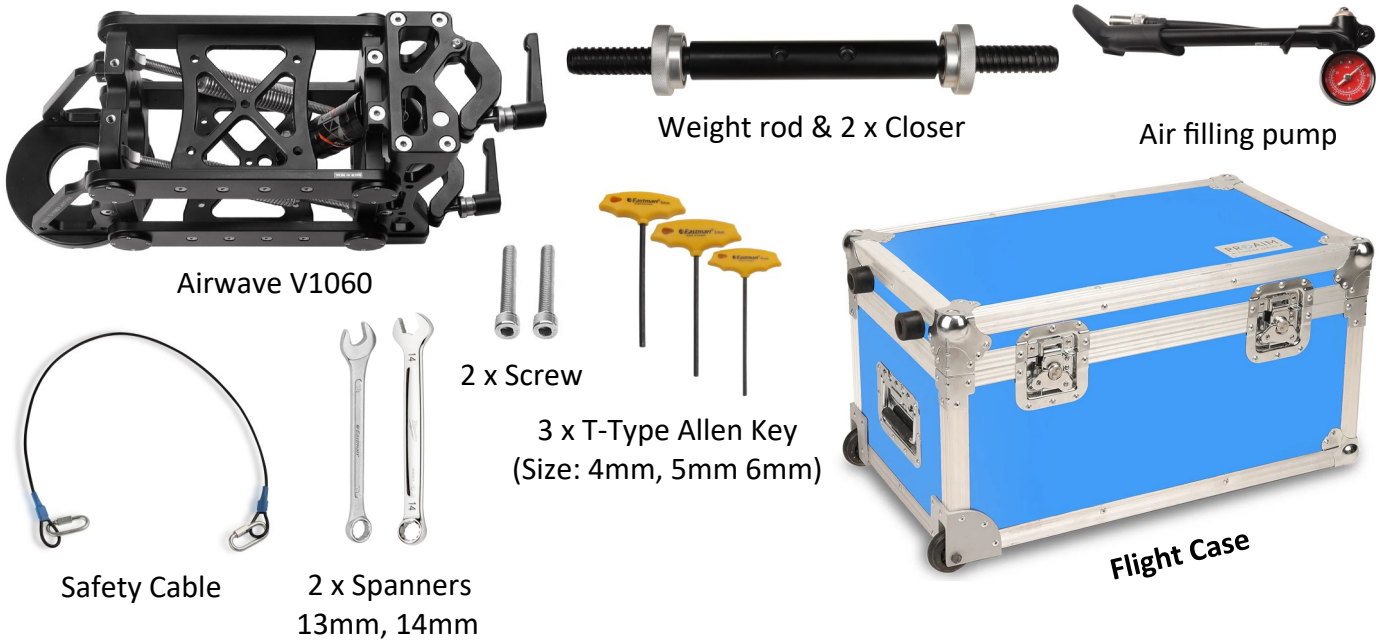
Airwave V1060 Shock Absorber Arm Set (VI-ARWV-1060)

Assembly Manual



What's In The Box

Please inspect the contents of your shipped package to ensure you have received everything that is listed below.

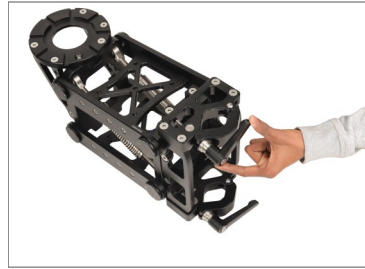


All rights reserved.

No part of this document may be reproduced, stored in a retrieval system, or transmitted by any form or by any means, electronic, mechanical, photo-copying, recording, or otherwise, except as may be expressly permitted by the applicable copyright statutes or in writing by the Publisher.

Airwave V1060 Setup

- Loosen and open both the clamps of the Airwave V1060.



- Align the clamps of the Airwave to a Scaffold Pole and then secure the clamp by properly tightening the clamp knob.

NOTE: Airwave V1060 Arm can be securely attached to a Dia 42mm-50mm Scaffold Pole or Speed Rail with a quick-lock Scaff Mechanism.



- Airwave V1060 has been properly attached to the scaffold pole.



- Align and place the weight rod on the top part of the Airwave V1060, and then insert the bolts by matching the thread holes.



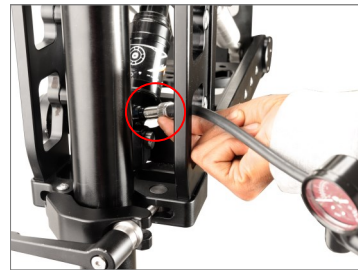
- Tighten both the bolts using an Allen key, as shown in the image.



- Open the air-filling pump.



- Attach the air pressure pump with the washer fitted to the air suspension shocker.

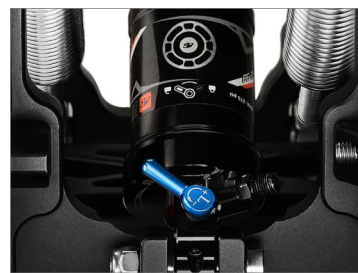


- After attaching the washer of the air shocker to the air filling pump, pump the air using the latter.

NOTE: Features a high pressure shocker pump that quickly sets pressure according to the weight of your camera; The recommended maximum pressure is 200 PSI.

For weights >10 kg use a shock pump.

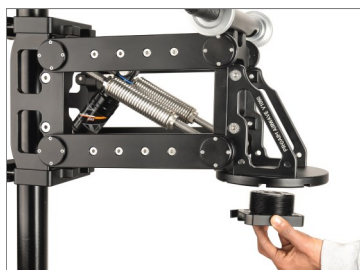
NOTE: In order to smoothen Dampening effect, turn the adjustment knob. If the arm is too soft, turn it towards direction of Plus (+). If the arm is rigid turn it towards the direction of Minus (-).



- Loosen and remove the Mitchell castle nut with ronin mount (Not Included).



- Insert the ronin mount clamp (Not Included) from the bottom of the Airwave V1060, and then tighten and secure it with the castle nut.



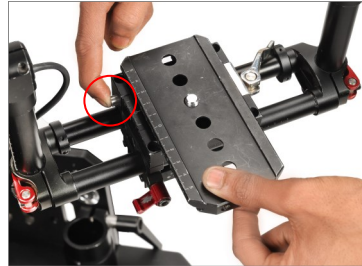
- Open the lock lever of the ronin mount clamp (Not Included) by pushing it, and then gimbal by sliding it.



- In order to secure the gimbal (Not Included) with the Mitchell castle nut with ronin mount clamp, lock the assembly with the provided lock lever.



- Push the pin of the gimbal plate to detach it from the gimbal (Not Included), and then attach it to your camera (Not Included).



- Now, Gimble plate ko camera (Not Included) ke bottom se thread hole align karke bolt ko screw driver ke help se properly tight kar de.



- Attach the gimbal (Not Included) with the camera (Not Included).



- Lock the assembly by pulling the lock lever.



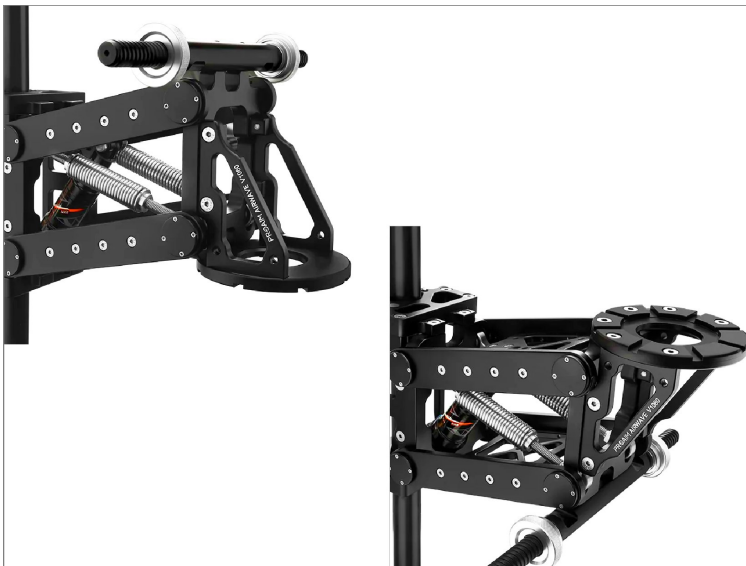
- Gimbal (Not Included) has been properly attached to the camera (Not Included).



- You can manually loosen or tighten the shock absorbing spring according to the weight capacity of the setup.

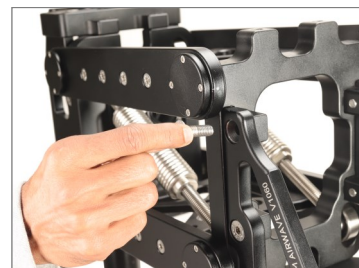


Desire Configuration Mount your Airwave1016 Mount over-slung or Under-slung



■ Under-slung/over-slung Setup

- Loosen and remove the bolt of the Airwave V1060 using the Allen key.



- Similarly, remove all the bolts, as shown in the image.



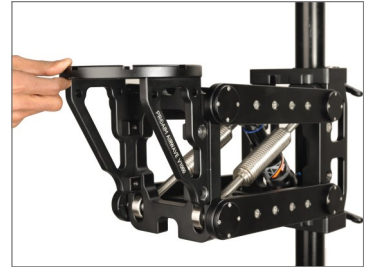
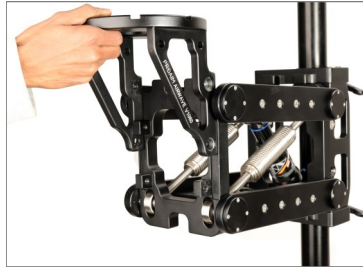
- Loosen and remove both the bolts at the bottom of the Airwave V1060.



- Now, Mitchell platform has been detached from the Airwave V1060.



- Insert and attach the Mitchell platform into the Airwave V1060 by sliding it in an over-slung manner.



- After attaching the Mitchell Platform to the Airwave V1060, insert the bolt and tighten it with the help of the Allen key.



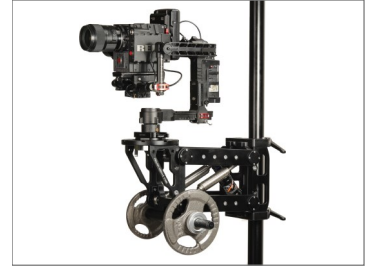
- Also, align and match the side thread hole of the Mitchell platform and the Airwave V1060, and then insert and properly tighten the bolt using the Allen key.



- Now, the Mitchell platform has been properly attached to the Airwave V1060 in an over-slung manner.



- Airwave V1060 over-slung setup is ready to use.



**YOUR PROAIM AIRWAVE V1060 SHOCK ABSORBER ARM SET
ALL DRESSED UP AND READY TO GO!**



(SHOWN WITH OPTIONAL ACCESSORIES)

Warranty: We offer one year warranty for our products from date of purchase. Within this period of time, we will repair it without charge for labor or parts. Warranty doesn't cover transportation costs nor does it cover a product subjected to misuse or accidental damage. Warranty repairs are subjected to inspection and evaluation by us.

Liability: We are not liable for damage caused by products that we do not supply or from mishandling in transit, accident, misuse, neglect, lack of care of the product, or service by anyone other than our company.

Contact Us: In case of any kind of dissatisfaction, please Contact us immediately and we promise our utmost support and care until you use our product.