

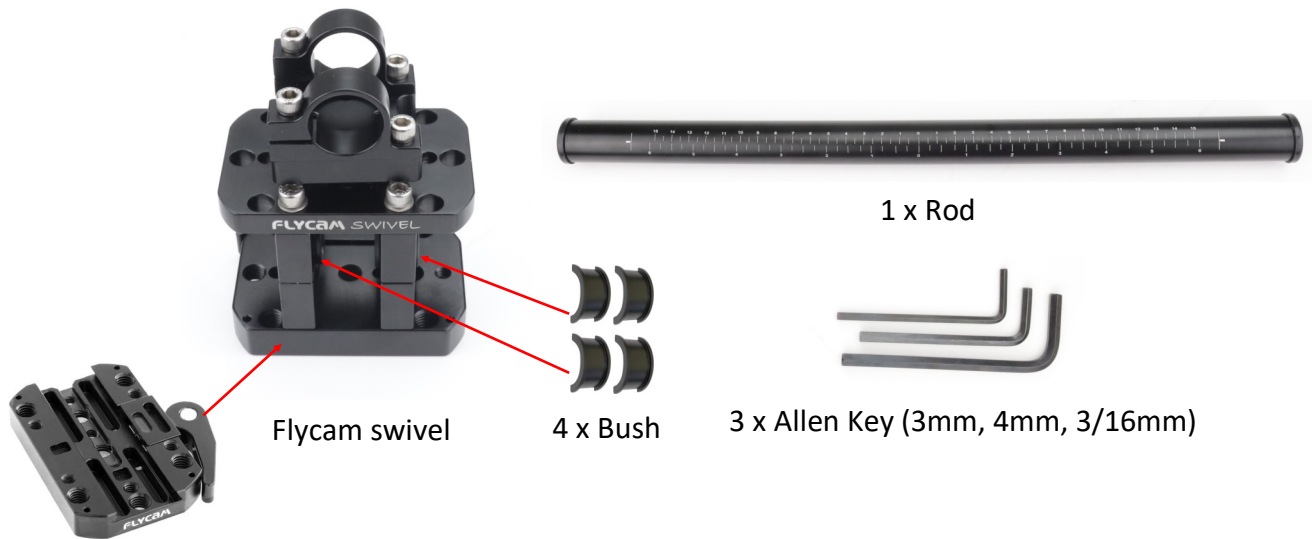
# FLYCAM Swivel (SW-015-00)

## Assembly Manual



### ■ What's In The Box

Please inspect the contents of your shipped package to ensure you have received everything that is listed below.



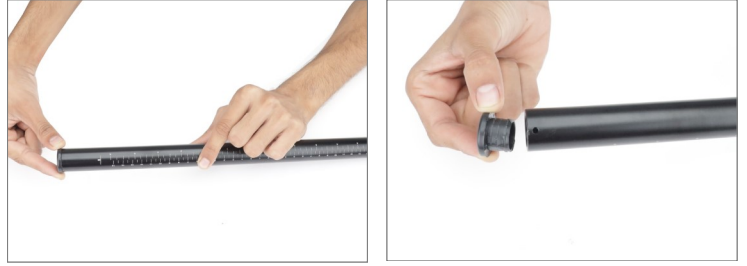
1 x Ronin Adapter Plate

All rights reserved.

No part of this document may be reproduced, stored in a retrieval system, or transmitted by any form or by any means, electronic, mechanical, photo-copying, recording, or otherwise, except as may be expressly permitted by the applicable copyright statutes or in writing by the Publisher.

## Swivel Setup

- Remove the end cap of the rod.



- Loosen the bolts of the Flycam swivel with the help of a 4mm Allen key and insert the rod.



- Tighten the bolt of the Flycam swivel with a 4mm Allen Key.



- After tightening the bolt, attach the end cap to the rod. as shown in images.



- Remove the bolt of the Flycam swivel by loosening it with the help of a 3/16 mm Allen key.



- Remove the 4 X bolt, as shown in the image.



- Now separate the top part of the swivel.



- Remove the screw bush by removing the handlebar.



- Remove all the screw bush as shown in the image.



- Then place the handlebars one by one on the Ronin plate.



- Place the top plate of the next Flycam swivel on top, As shown in the image.



- Then insert the bolt and tighten it properly with the help of a 4mm Allen key.



## DJI Ronin Gimbal (Not Included)

- Loosen the knob of the DJI Ronin handle (Not Included).



- Remove the handle and insert it into the swivel.



- After inserting into the swivel, insert the handle.



- Tighten the handle properly, as shown in the image.



- Remove the bolts from the top plate of the Flycam swivel with the help of a 4mm Allen Key.



- Insert the Flycam swivel by sliding it onto the DJI Ronin gimbal (Not Included). And lock the gimbal with the locking lever of the swivel plate.



- The Flycam swivel is now properly attached with DJI Ronin Gimbal (Not Included).



## YOUR FLYCAM SWIVEL ALL DRESSED UP AND READY TO GO!



(SHOWN WITH OPTIONAL ACCESSORIES)

**Warranty:** We offer one year warranty for our products from date of purchase. Within this period of time, we will repair it without charge for labor or parts. Warranty doesn't cover transportation costs nor does it cover a product subjected to misuse or accidental damage. Warranty repairs are subjected to inspection and evaluation by us.

**Liability:** We are not liable for damage caused by products that we do not supply or from mishandling in transit, accident, misuse, neglect, lack of care of the product, or service by anyone other than our company.

**Contact Us:** In case of any kind of dissatisfaction, please Contact us immediately and we promise our utmost support and care until you use our product.