

Assembly Manual



What's In The Box

Please inspect the contents of your shipped package to ensure you have received everything that is listed below.



Stabilizer Central Post



Base Weight Platform



16 Weights Plates

All rights reserved.

No part of this document may be reproduced, stored in a retrieval system, or transmitted by any form or by any means, electronic, mechanical, photo-copying, recording, or otherwise, except as may be expressly permitted by the applicable copyright statutes or in writing by the Publisher.



Camera Plate Platform



Base Camera Platform



Dovetail Quick Release Plate



4 x Screws For Weight Platform



Allen key with Extra knobs Screws



4 x Weight Closers & Rubber Washer



Bag Packing

INDEX

Sr. No	Particulars	Page No.
1	Features	4
2	Functions	5
3	Red king Handheld Camera Stabilizer setup	6
4	Base weight Platform Mounting	6
5	Stabilizer Central Post Mounting	6
6	Counter weight Plates Mounting	7
7	Camera Platform Mounting	7
8	Camera Mounting	7-8
9	Handle Adjustment	8
10	Micro Balancing of Camera Head Plate Setup	8-9
11	Adding Weight & Positioning For Proper Balance	9
12	Balancing Your Stabilizer	9
13	Horizontal Balancing	10
14	Vertical Balancing	10-11
15	Holding Your Flycam Stabilizer	12
16	Low Mode Operation	12
17	Balancing Review	13
18	Maintenance	14
19	Final setup	15

FEATURES

Dovetail Quick Release Plate

Manfrotto 501 compatible
Quick Camera Mounting/Dismounting

Camera balance plate

Tilts to maintain dynamic balance

Laser Engraved Guide Scale Markings

Quick & Precise adjustments

Precision Three Axis Gimbal

Collet lock system
3-Axis rotation control

Foam Cushioned Handle

Comfortable handheld operation

No-Tools Telescopic Central Post

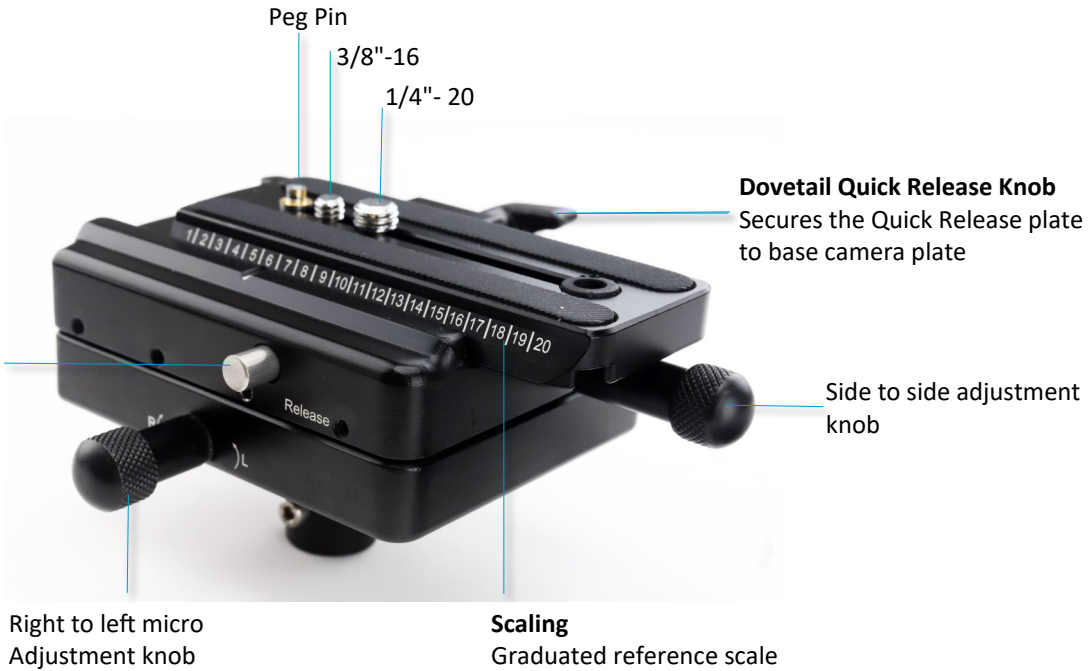
Adjusts camera's vertical balance

Counter Weight

Expandable Base
Holds counterweights to maintain balance



FUNCTIONS



Push Pin
Press to free Quick Release plate from Base Camera plate

Right to left micro Adjustment knob

Scaling
Graduated reference scale

Dovetail Quick Release Knob
Secures the Quick Release plate to base camera plate

Side to side adjustment knob

Gimbal Grip
Controls camera pan and tilt

Positive twist lock allows easy and secure low mode operation.

Extendable Post from 55cm to a full rise height of 82cm



Scaling
Graduated reference scale

Pan Bearing
For Center of Balance
No Maintenance

Gimbal Handle
Connection to Arm

Redking Handheld Camera Stabilizer Setup

Base Weight Platform Mounting

- Remove the cap from the middle of the base platform, and you will find a 1/4" thread located in the center, as shown in the image.

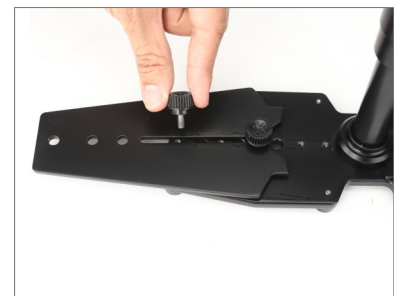


Stabilizer Central Post Mounting

- Loosen the locking knob present on the central post and extend the Telescoping Post outwards.
- Attach the extended part of the post via threaded insert at the bottom to the 1/4" screw present on the base.



- Two knobs are present on the base to extend the counterweight base plate.
- Remove the 1st bolt from both the sides, extend out the base plate and lock it in place with the same bolt.



- Now, insert all four screws into the four slots of the base platform from the bottom, as shown in the image.



Counter Weight Plates Mounting

- Insert the Counterweight plates by sliding them down the screws until they are rested on the base platform.
- Secure the counterweight plates with the weight closer to prevent the weights from moving.



NOTE: The number of Counterweights will vary depending on your camera weight. You can add the counterweights per your setup requirement.

Camera Platform Mounting

- Remove bolts from both sides of the head plate.
- Mount the head plate on the central post, re-insert the bolts and securely tighten them.
- To remove the Dovetail Quick Release plate, push the side pin and hold it in.
- Then carefully slide the Dovetail plate backwards out of the Camera Mounting Platform.



Camera Mounting

- Place the Dovetail Quick Release plate on the bottom of your camera. Make sure that the Dovetail Quick Release is in alignment, square with your camera bottom.

NOTE: If you have a Camera/Camcorder larger than the one shown in the manual, you will have to test out the actual front to back center of gravity of your Camera.



- Securely mount the camera on the dovetail plate. Then, slide in the dovetail plate on the camera base platform and tighten it with the side knob.



- The Camera Mounting Platform comes with a beveled edge. Line up the beveled edge with your camera's center of gravity mark found in Release the Dovetail Safety Pin when finished.



Handle Adjustment

- Loosen the top knob of the Handle while holding the bottom knob.
- Then slide the Handle up/down and adjust its position as per your requirement.
- After adjusting the Handle's position, tighten the knob to secure it.



Micro Balancing of Camera Head Plate Setup

- Loosen the side knob present on the dovetail plate for side to side (horizontal) positioning.



- Similarly, the camera mounting platform offers front-to-back movement adjustment with the help of knobs.



Adding Weight & Positioning for Proper Balance

- To make your Flycam Redking Video Stabilizer fully functional, you will note that the base platform has a provision to mount the balance weights via 2x BH bolts secured with knobs on both sides of the post



- The counterweight system is meticulously designed to align the low end of the stabilizer with accessories and weight of the camera at the top end, with the stabilizer handle serving as the pivot point in between.
- The heavier the camera and accessories, the more weight is required to achieve proper balance. Generally, as you add weight to one side of the central post, an equal amount has to be added to the other side to maintain horizontal balance.
- The counterweight system proves its effectiveness in offset configurations, such as when using a flip-out viewfinder or off-center accessories. By adding extra weights on the opposite side of the post, it can counteract and maintain proper balance.
- The total weight fixed to the base platform should equal the weight of your camera plus the head and any accessories.

Balancing your Stabilizer

- Before you begin the balancing process, check the following and make sure they have been done:
 1. The camera is securely attached to the Dovetail Quick release plate, and the Dovetail Quick release lock is tight.
 2. The Lens Cap has been removed.
 3. Camera Battery and Recording Media are installed.
 4. Flip out the LCD into its operating position.
 5. The telescoping clamp has been tightened, and weights have been added.



Horizontal Balancing

- Fine-tune side-to-side balance with the knobs on the camera platform. Hold the sled vertically as you adjust. Turn the adjustment knobs with your other hand until you feel no pressure on your operating hand, and the sled will be in static balance.
- Now, your Flycam Redking Camera Stabilizer is set up and assembled. You can test and set up the system's horizontal balance. If the Stabilizer is horizontally balanced correctly, then the camera will remain level, and the central post will remain vertical during operation unless you intentionally position the stabilizer otherwise or release any pan, tilt, or roll pressure on the central post.



When testing for correct horizontal balance, you need to make sure that you pick up your Stabilizer from a flat surface (e.g., a table) and let it hang freely as you hold it.

NOTE: If you do not have enough counterweight on the base platform, the Stabilizer will flip entirely upside down. If this happens, add more counterweight below until the Stabilizer remains up during this test.

- If the Stabilizer tilts to the front, move the dovetail quick-release plate towards the back by using the adjustment knobs. If the Stabilizer tilts to the back, move the dovetail quick-release plate towards the front by using adjustment knobs. Always secure the dovetail quick-release plate after any adjustments. If you cannot balance the front-to-back axis with this method, try re-mounting your camera to a different position on the dovetail quick-release plate.



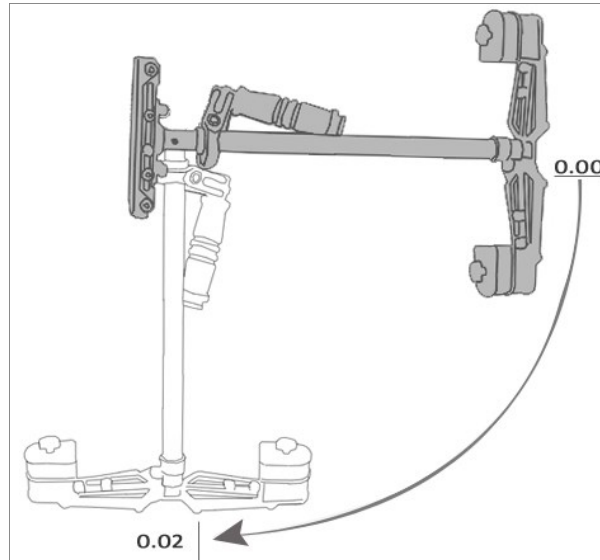
Vertical Balancing

Dynamic balance is essential for precise operation. For each arrangement of camera, monitor position, post length, accessories, etc., there are many possibilities for balancing the Stabilizer. However, for each arrangement, there is only one combination that also balances the sled dynamically.

Dynamic balance can easily be achieved by trial and error. In all cases, when a sled is in dynamic balance, the camera's center of gravity will be towards the rear of the center line of the central post. This rule gives you some points to begin balancing the Stabilizer.

Now, your Stabilizer is horizontally balanced, its vertical axis can be tested and properly balanced. If the Stabilizer is vertically balanced correctly, then the camera will remain level, and the central post will remain vertical during operation unless you intentionally position the Stabilizer otherwise. If it is not balanced properly, then it will swing like a pendulum when you walk, run, or turn.

It will be stable and more easily controlled if it is slightly heavy from the bottom. Use this drop time test to check the vertical balance.



- Make sure that everything is tight.
- Grasp the center post near the base and move it up and down.
- Hold it there. When you drop it, be sure that it will not hit the stand. Use your free hand to catch the center post when it drops.
- Count how many seconds it takes to fall vertically. Try using a stopwatch.
- It is too heavy from the bottom if the drop time is less than 2 seconds. Moving the bottom mass closer to the post would help.
- If the drop time is more than two seconds, it is heavy from the top.

A Drop time of 2 - 2.5 seconds is preferred.

NOTE: Recheck the balance by looking at the sled. If necessary, use side screws and bottom plate screws to make the required adjustments.

Holding your Flycam Stabilizer

When handling your Redking Video Camera Stabilizer, one hand holds onto the handle while the other gently guides the camera in the direction you wish to shoot and frame the shot. For everyday shooting, hold the handle in the middle.

- Hold the handle firmly at the bottom for shots that require framing the camera up, down, or sideways.



NOTE: Make sure that your “GUIDING HAND” and “HOLDING HAND” do not touch either the bearing assembly or the “YOKE” during shooting. For unconventional shots that require aiming the camera straight up, down, or sideways, hold onto the Stabilizer on the lower part of the post or down near the weight. This will allow your “GUIDING HAND” to have greater control over the Stabilizer while shooting erratic shots.

Low-Mode Operation

- When operating the Redking Stabilizer in Low Mode, you cannot put your eye right up to the eyecup on the viewfinder. Doing so will restrict the unit's ability to stabilize and eliminate camera shake. You can either use the camera's built-in LCD Monitor or attach an external LCD Monitor (Not Included) directly to the stabilizer's base platform. A 1/4" -20 monitor mounting hole is located at the base platform's front and back edges.



NOTE: You can attach an external LCD Monitor (Not Included) to the accessory shoe on top of your Camcorder. We believe that better results are obtained when you attach the monitor to the Flycam Redking Stabilizer's base. This way, you have to look slightly down to see the monitor, and your feet are more visible to your peripheral vision. This makes negotiating obstacles with the Stabilizer safer.



Balancing Review

Proper system balance can only be achieved once your camera is set up with appropriate accessories ready for shooting. This means batteries, lenses, media cards, LCD viewfinder/monitor, quick-release plate, on-cam lights, and all the gear you will use for your recording session.

- Remove the top plate of FLYCAM and line up your camera so that its center of gravity is as close to the center of the plate as possible (basically, hold the camera in your hand until it feels balanced both left-right and forward-back).
- Find the hole in the plate that is as close to the threaded tripod mount on your camera as possible (while you are still holding your camera's center of gravity to the center of the plate). Attach your camera (or quick-release mount if you have one). Tighten it down so it won't accidentally rotate.
- Re-attach the top plate to the FLYCAM. Center it, but don't worry about getting it perfect yet.
- Remove most weights from the Base Platform, but leave one on each side.
- Insert the center post as far as it will go and tighten it so it won't slide out.
- Hold the handle typically and turn the FLYCAM so that it is horizontal to the ground. Let go of the stalk while keeping a firm grip on the handle, and count how long it takes to return to vertical again. You should be able to count a good, "One-one thousand, two-one thousand," before it rights itself. With only two little weights, it might take considerably longer.
- Add one pair of weights at a time and repeat the "horizontal to vertical" test until it falls at the correct rate. It may not be perfect.
- You'll get one that's too slow, then add a pair, and it will fall too fast. When that happens, remove the last pair of weights that you added.
- Tighten down the weights so they don't slide around.
- To get the count perfect, slightly lower the center post that attaches the Base Platform with the weights until you get the "one-one thousand, two one thousand" count to the vertical position.
- Fine-tune the left-right, forward-backward balance. You must go back and forth between the two directions to get the balance right. Loosen the screw sets that allow the sled to move left and right. Adjust the top plate so that it is centered, and tighten down the screws like you would a tire slowly and alternating side to side.
- Repeat for "forward-backward" balancing.
- Check to see if your camera is sitting level. If not, repeat the necessary steps until it does.
- Practice walking movements, ensuring your body motion is not transmitted to your hands and then the FLYCAM and camera.

Maintenance

Bearing Maintenance

The main Bearing on your Flycam Handheld Stabilizer is attached to the Central Post about two inches from the top. It is of metal construction and partially enclosed by the Bearing assembly. If your bearings don't turn smoothly after some time, lubricate them with a minimum amount of light machine oil. Light lubricating oil can also be used on the Yoke and Handle Bearings. Be sure to keep oil away from your camera, & clean up any overspill.

Cleaning

Do not use solvents or harsh cleaners of any kind on your Flycam Handheld stabilizer. If the unit becomes dirty, use a damp, soft cloth or sponge and a mild detergent to gently clean external parts.

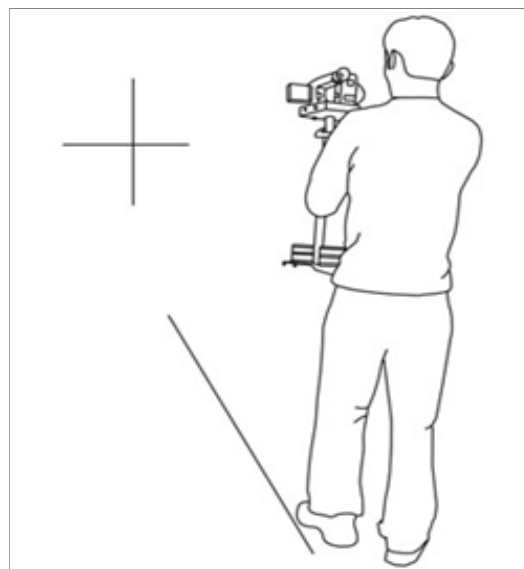
Storage

When storing your Flycam Handheld stabilizer for a long period of time, it's crucial to place the unit upright in a dry or low to normal humidity area whenever possible insert period. If you are unable to find this kind of environment, then we suggest you store the unit in an airtight plastic container or bag. Standing the unit upright is preferred as it alleviates stress on the system.

NOTE: Flycam Redking Video Camera Stabilizer doesn't work underwater or waterproof. Avoid direct exposure to rain, water spray, or any harsh environment. The bearings are not dustproof. Avoid getting dirt or sand in them.

Practice makes perfect - Walking the line

Practice this simple exercise to master your Flycam Redking stabilizer with professional results. Using masking or gaffer's tape, create a cross mark on a flat and even wall. The mark becomes your framing center. On the floor leading up to the cross mark lay a straight tape line about 20 feet long. Practice walking the line while keeping the cross mark center-framed and in focus. With some effort, dramatic, fluid-like movements will become second nature and provide production value to all your setups.



YOUR FLYCAM REDKING HANDHELD CAMERA STABILIZER ALL DRESSED UP AND READY TO GO!



(SHOWN WITH OPTIONAL ACCESSORIES)

Warranty: We offer a one-year warranty for our products from the date of purchase. Within this period, we will repair it without charge for labor or parts. The warranty doesn't cover transportation costs, nor does it cover a product subjected to misuse or accidental damage. Warranty repairs are subject to inspection and evaluation by us.

Liability: We are not liable for damage caused by products we do not supply or from mishandling in transit, accident, misuse, neglect, or lack of care of the product or service by anyone other than our company.

Contact Us: If you are dissatisfied, please contact us immediately. We promise our utmost support and care until you use our product.