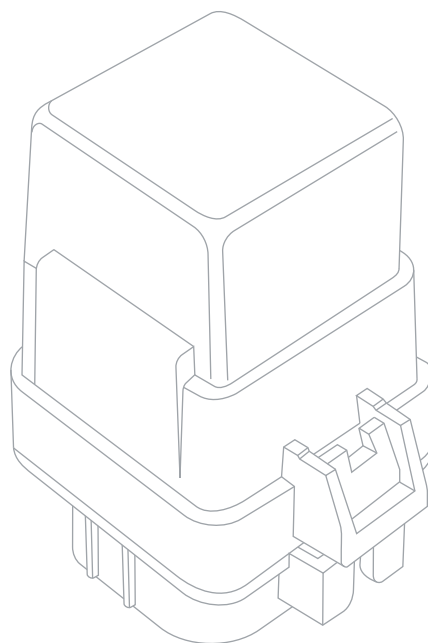




THE AUTOMOTIVE LIGHTING BENCHMARK



INSTALLATION GUIDE

LIGHT BAR HARNESS



WARNING: By reading this document, I agree it is only to be used as an educational guide. Morimoto Lighting makes no guarantee on any finished results, nor are they to be held responsible for any damage, misuse, or personal injuries. Use at your own risk. If you are unable to clearly understand and adapt the information below to your own application, professional installation is recommended.

TABLE OF CONTENTS

SYSTEM DIAGRAM

P.3

STANDARD PARTS



1x HARNESS ASSEMBLY

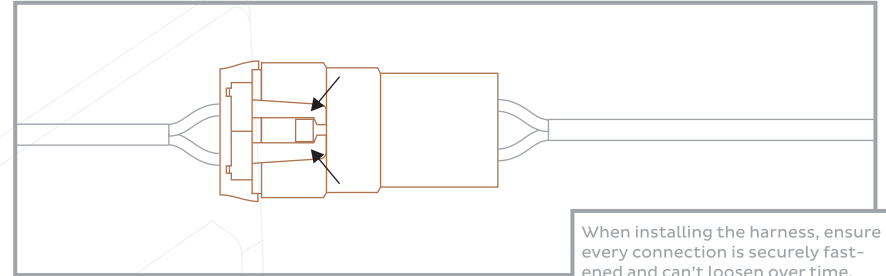


1x TOGGLE SWITCH PIGTAIL

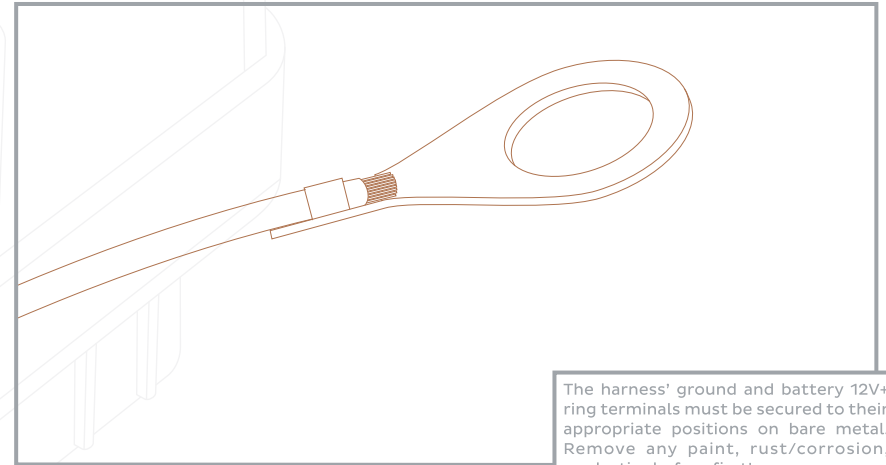


2x RING TERMINAL

INSTALLATION NOTES



When installing the harness, ensure every connection is securely fastened and can't loosen over time.



The harness' ground and battery 12V+ ring terminals must be secured to their appropriate positions on bare metal. Remove any paint, rust/corrosion, or plastics before first!

SYSTEM DIAGRAM

