

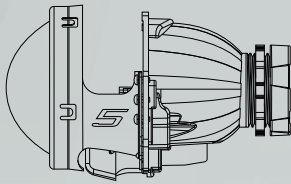


THE AUTOMOTIVE LIGHTING BENCHMARK

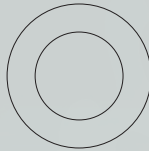
# MINI D2S 5.0 INSTALL GUIDE

**WARNING:** By reading this document, you agree it is only to be used as an educational guide. Morimoto Lighting nor its dealers make guarantees on any finished results, nor are they to be held responsible for any damage, misuse, or personal injuries. If you are unable to clearly understand and adapt the information below, professional installation is recommended.

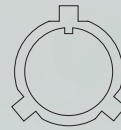
## PACKAGE CONTENTS



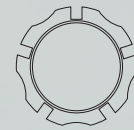
1X MINI D2S 5.0  
PROJECTOR



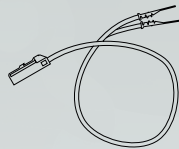
1X SILICONE  
WASHER



1X H4 ADAPTER  
PLATE



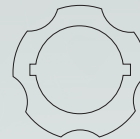
1X CNC AL  
LOCK RING



1X SOLENOID  
PIGTAIL



1X 9006  
CONNECTOR



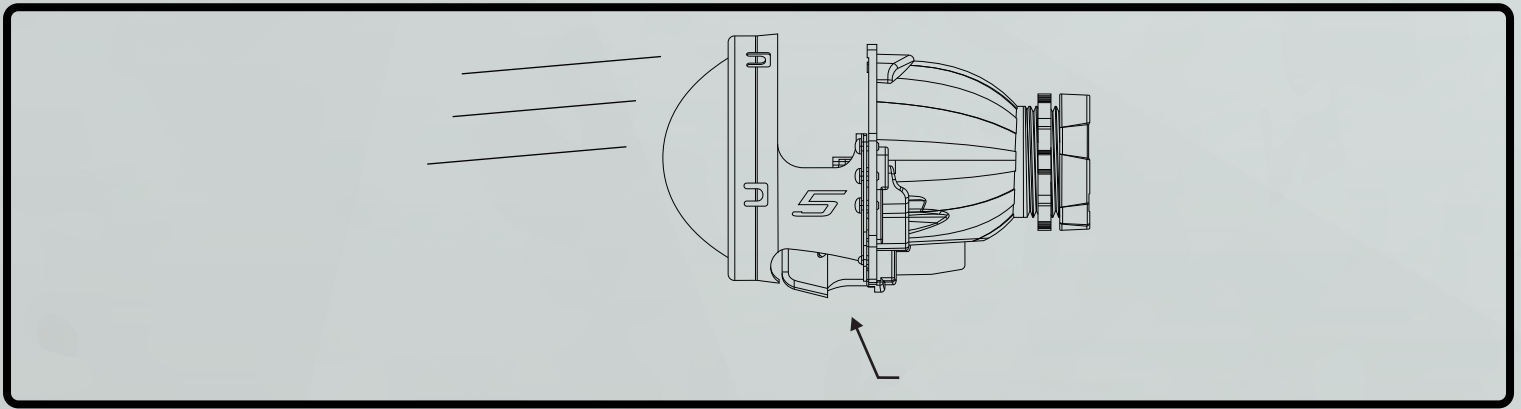
1X MOTOHOLDER  
(BULB RETAINER)



**PROFESSIONAL INSTALLATION RECOMMENDED**

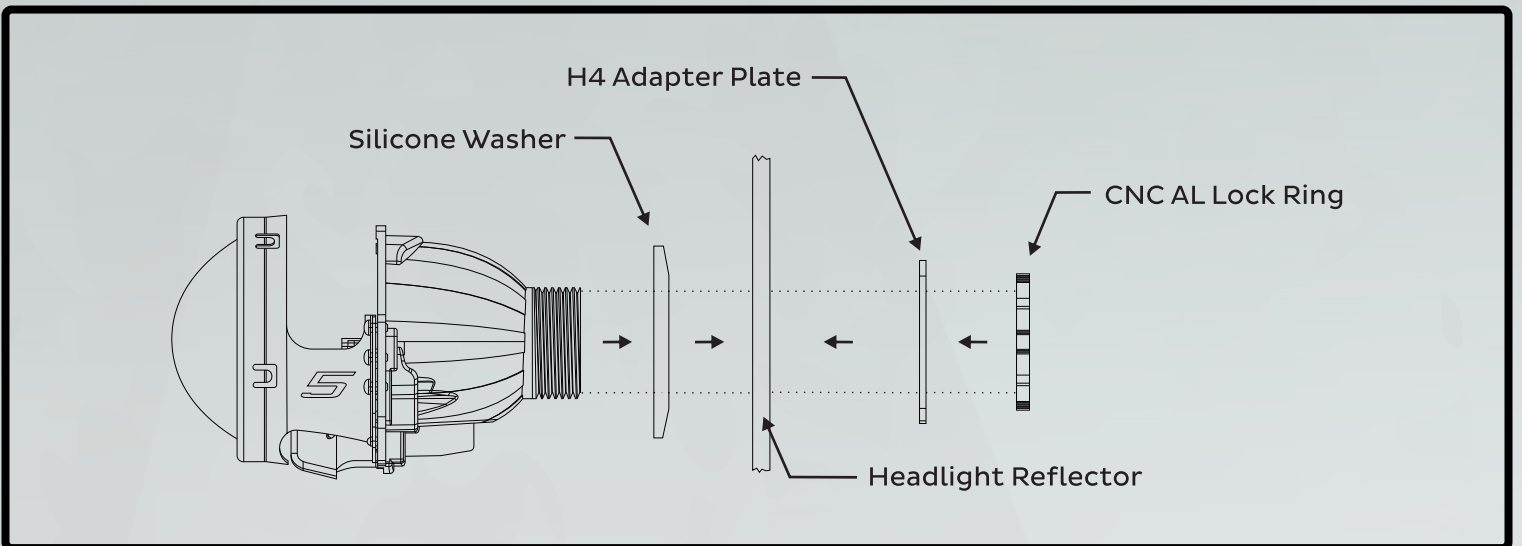
## SPECIAL INSTALLATION NOTE

Mount projector rotationally level with the solenoid and cutoff shield on the bottom for proper light output.



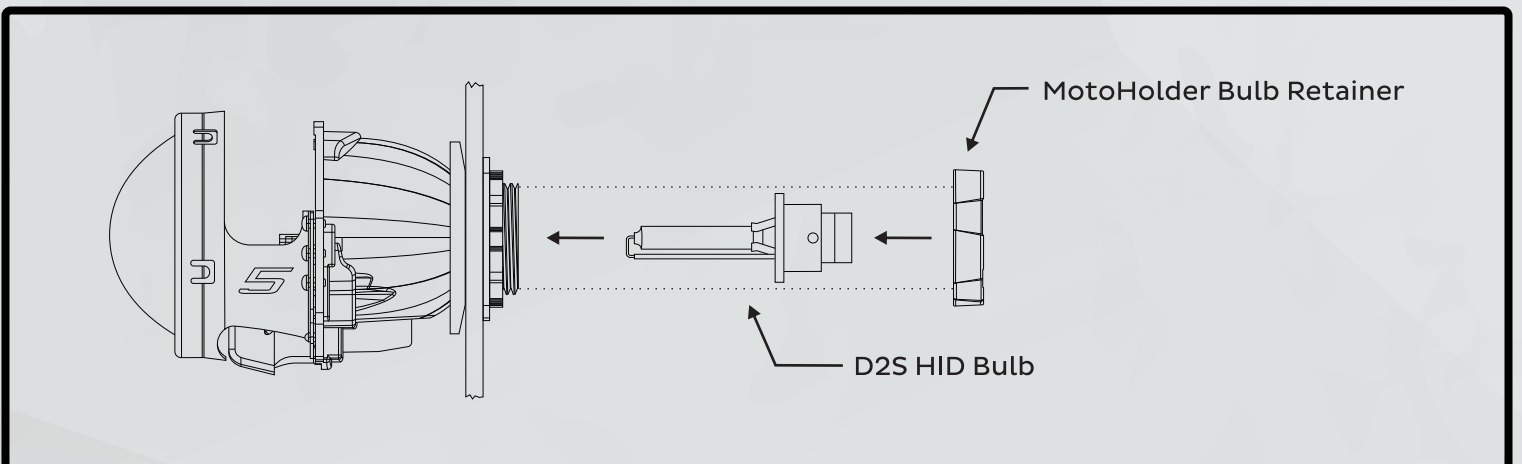
## HARDWARE SCHEMATIC

Tighten CNC AL Lock Ring until snug. An Optional Lock Ring Tool is available as well.



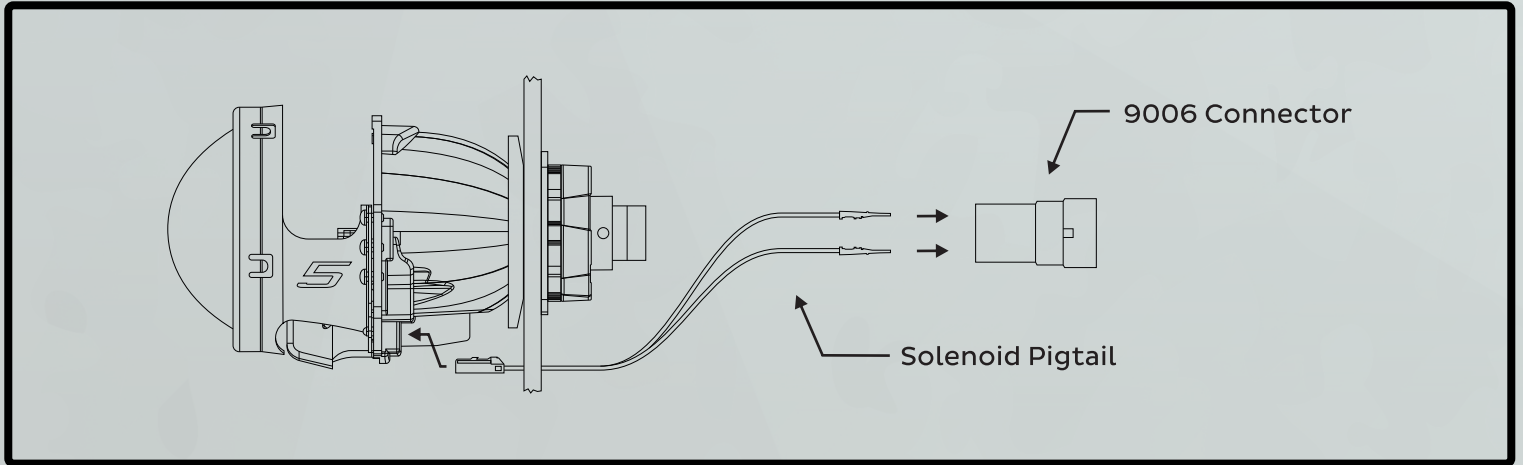
## BULB INSTALLATION SCHEMATIC

Line up slots MotoHolder to clear the two bulb tabs, then slide on and tighten until snug.



# BULB INSTALLATION SCHEMATIC

Line up slots MotoHolder to clear the two bulb tabs, then slide on and tighten until snug.



-END-