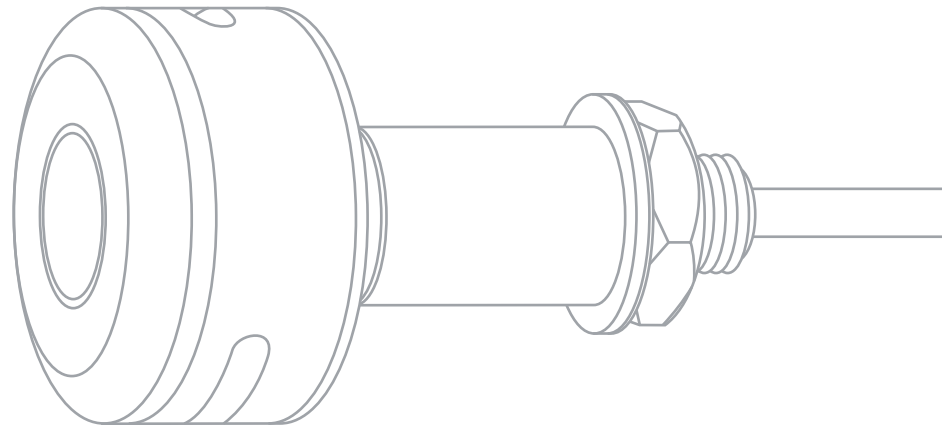




THE AUTOMOTIVE LIGHTING BENCHMARK



INSTALLATION GUIDE  
**ENDICATORS**



WARNING: By reading this document, I agree it is only to be used as an educational guide. Morimoto Lighting makes no guarantee on any finished results, nor are they to be held responsible for any damage, misuse, or personal injuries. Use at your own risk. If you are unable to clearly understand and adapt the information below, professional installation is recommended.

## TABLE OF CONTENTS

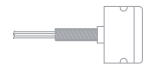
---

KIT CONTENTS P.2

ASSEMBLY / INSTALLATION P.3

## KIT CONTENTS

---



2X ENDICATOR



2X 14MM O.D. RUBBER SPACER



2X 16MM O.D. RUBBER SPACER



2X 20MM O.D. RUBBER SPACER

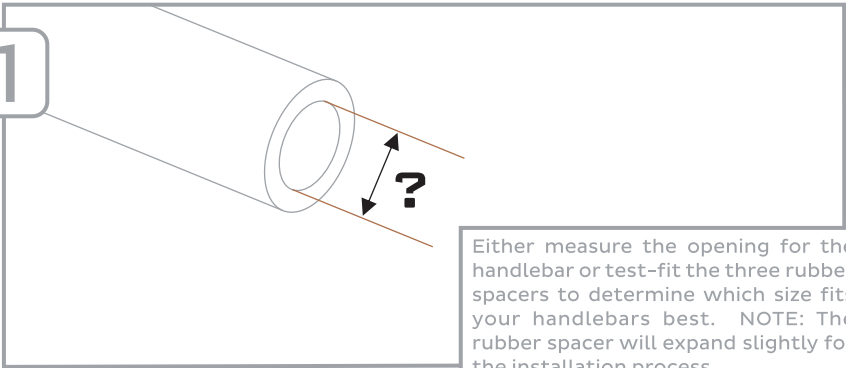


4X STAINLESS FLAT WASHER



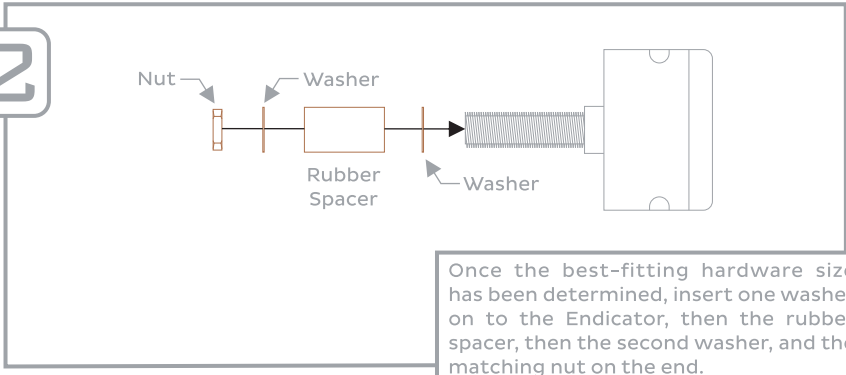
2X STAINLESS NUT

**1**



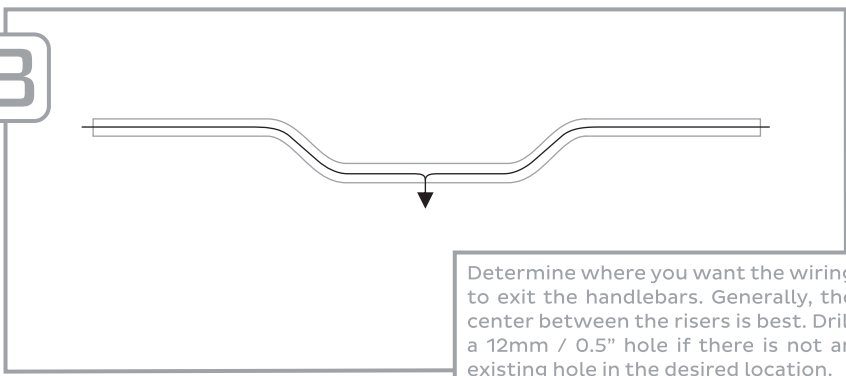
Either measure the opening for the handlebar or test-fit the three rubber spacers to determine which size fits your handlebars best. NOTE: The rubber spacer will expand slightly for the installation process.

**2**



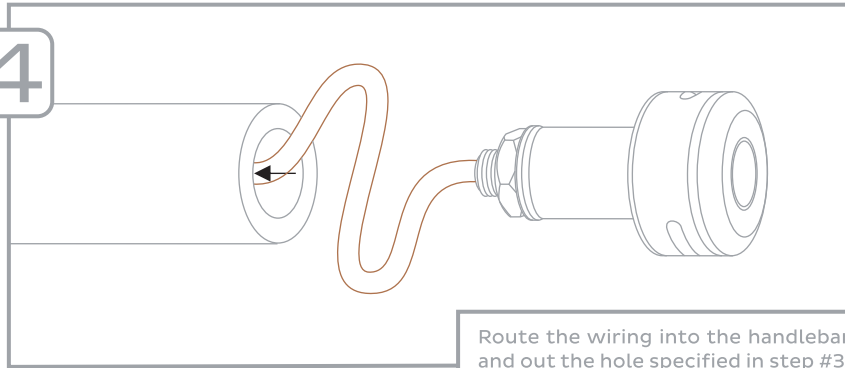
Once the best-fitting hardware size has been determined, insert one washer on to the Endicator, then the rubber spacer, then the second washer, and the matching nut on the end.

**3**



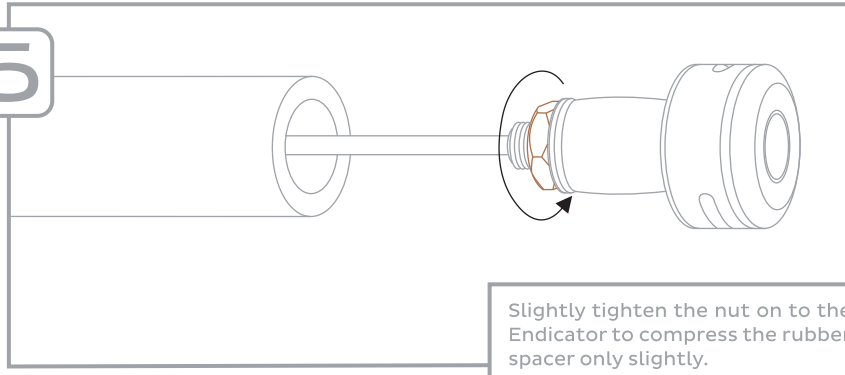
Determine where you want the wiring to exit the handlebars. Generally, the center between the risers is best. Drill a 12mm / 0.5" hole if there is not an existing hole in the desired location.

**4**



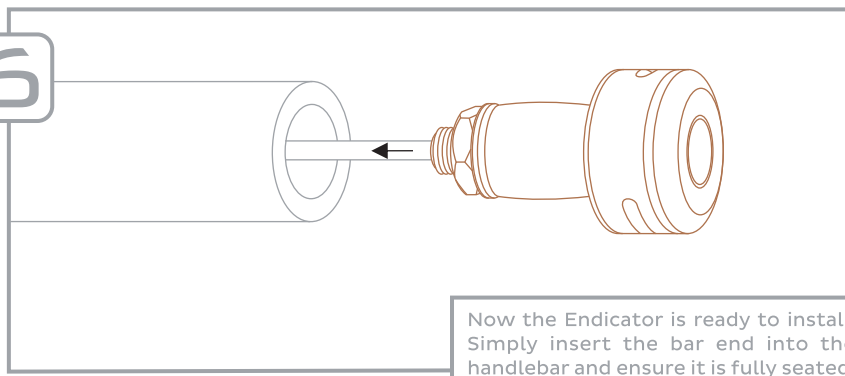
Route the wiring into the handlebar and out the hole specified in step #3.

**5**



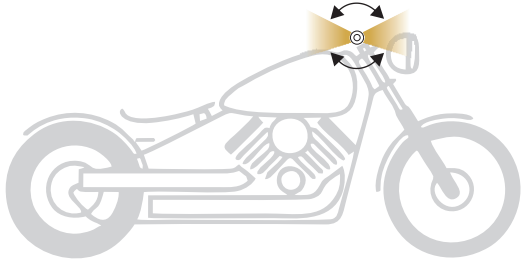
Slightly tighten the nut on to the Endicator to compress the rubber spacer only slightly.

**6**



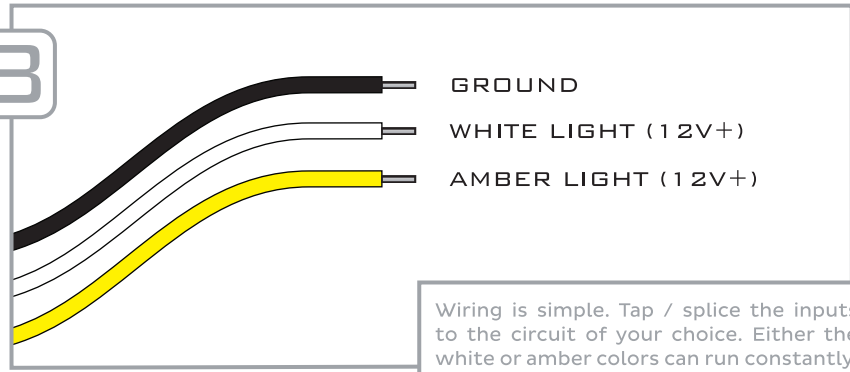
Now the Endicator is ready to install. Simply insert the bar end into the handlebar and ensure it is fully seated.

7



Adjust the angle of the Endicator to ensure the side-firing indicators are aimed directly forward / aft on the bike.

8



Wiring is simple. Tap / splice the inputs to the circuit of your choice. Either the white or amber colors can run constantly.

-END-