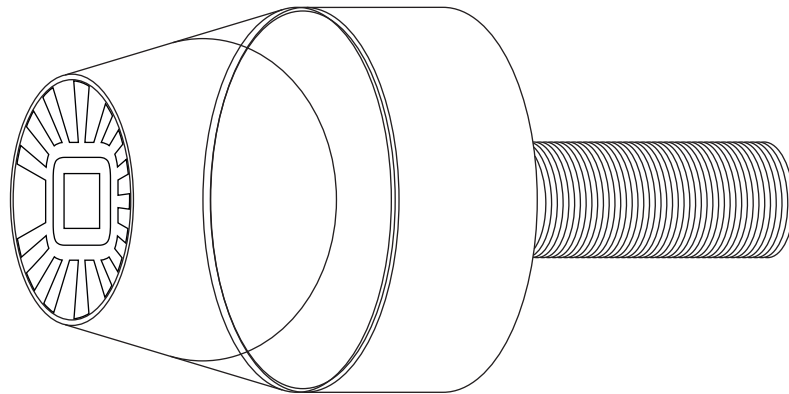




THE AUTOMOTIVE LIGHTING BENCHMARK



INSTALLATION GUIDE  
**PINDICATORS**



**WARNING:** By reading this document, I agree it is only to be used as an educational guide. Morimoto Lighting makes no guarantee on any finished results, nor are they to be held responsible for any damage, misuse, or personal injuries. Use at your own risk. If you are unable to clearly understand and adapt the information below, professional installation is recommended.

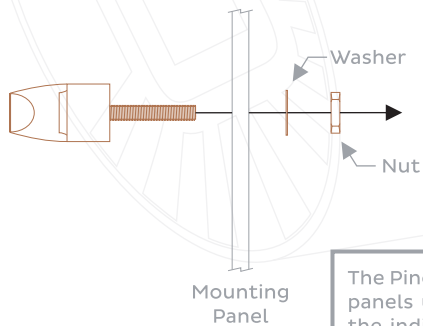


## KIT CONTENTS

-  2X PINDICATOR
-  2X M5 STAINLESS FLAT WASHER
-  2X M5 STAINLESS NUT

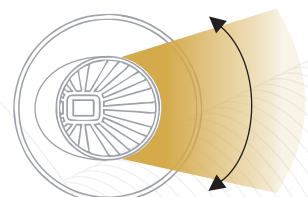
## INSTALLATION

1



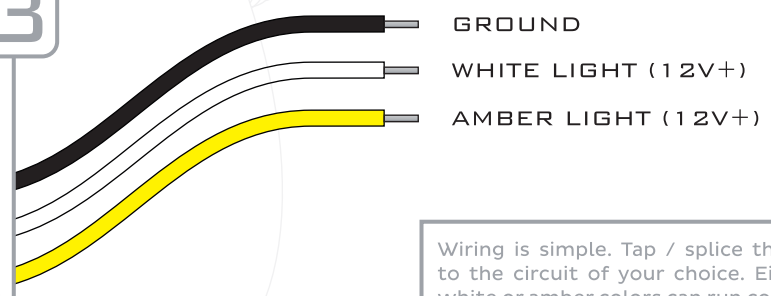
The Pindicator can be mounted through panels up to 15mm in thickness. Insert the indicator into the desired location, add one washer and then the nut.

2



The Pindicators' lighting is directional, so be sure to aim them the desired direction prior to tightening the nut snugly. We recommend the use of thread locker to ensure these remain tight over time.

3



Wiring is simple. Tap / splice the inputs to the circuit of your choice. Either the white or amber colors can run constantly.

-END-