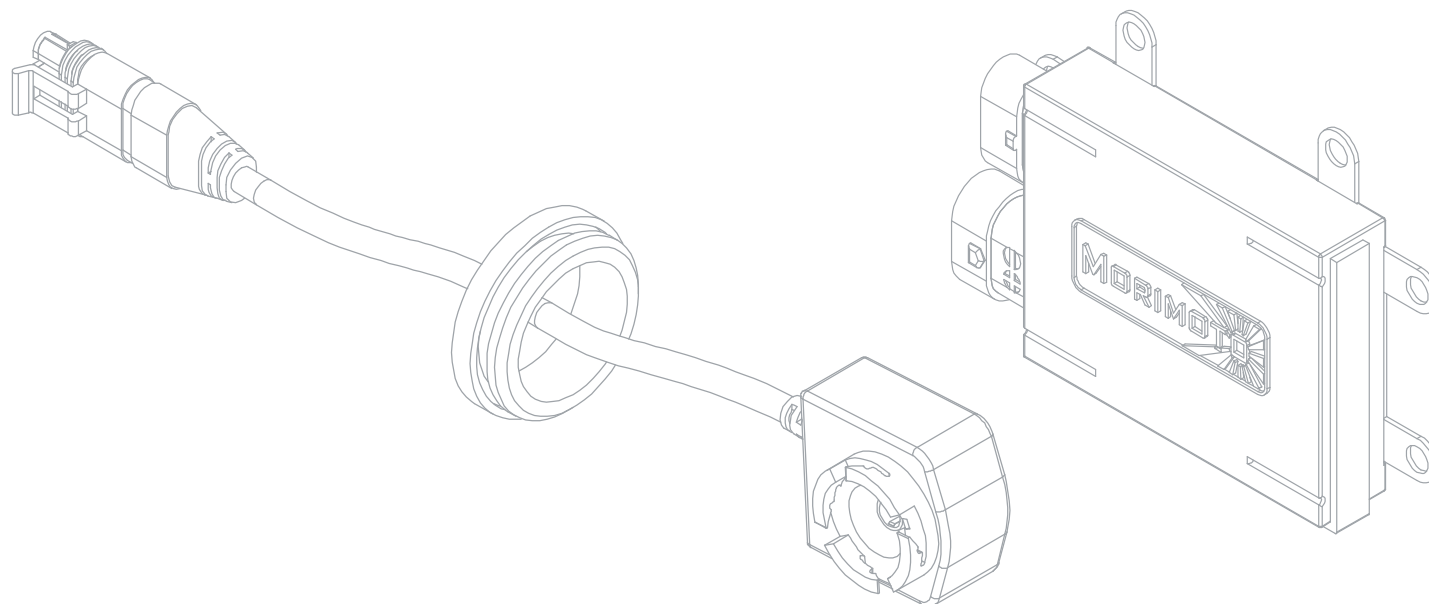




THE AUTOMOTIVE LIGHTING BENCHMARK



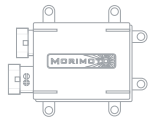
INSTALLATION GUIDE

# XB BALLAST (D2S)

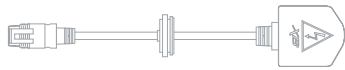


**WARNING:** By reading this document, I agree it is only to be used as an educational guide. Morimoto Lighting makes no guarantee on any finished results, nor are they to be held responsible for any damage, misuse, or personal injuries. Use at your own risk. If you are unable to clearly understand and adapt the information below to your own application, professional installation is recommended.

## STANDARD PARTS

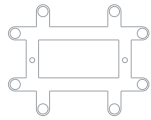


2X XB BALLAST COMPUTER



2X XB AMP IGNITER

## OPTIONAL PARTS

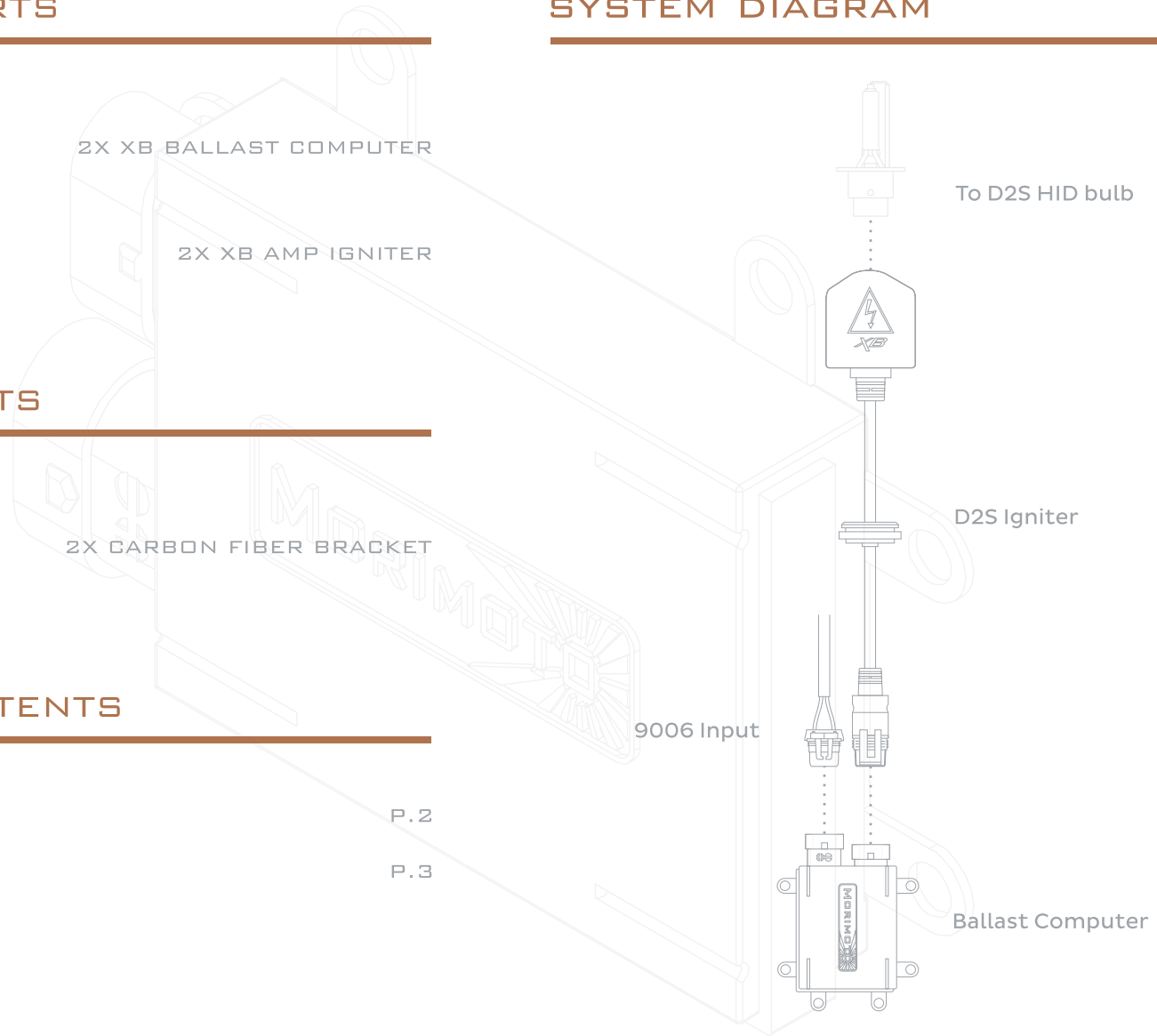


2X CARBON FIBER BRACKET

## TABLE OF CONTENTS

SYSTEM DIAGRAM	P. 2
BALLAST ASSEMBLY	P. 3

## SYSTEM DIAGRAM





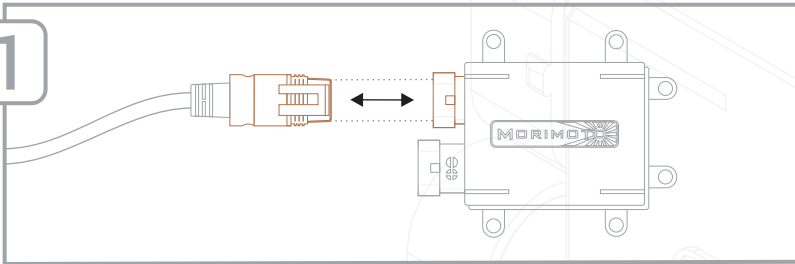
DO NOT IGNITE UNTIL FULLY CONNECTED!



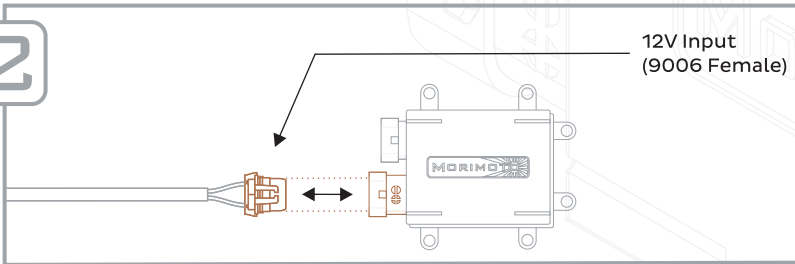
DO NOT CUT!

## STEP BY STEP

1



2



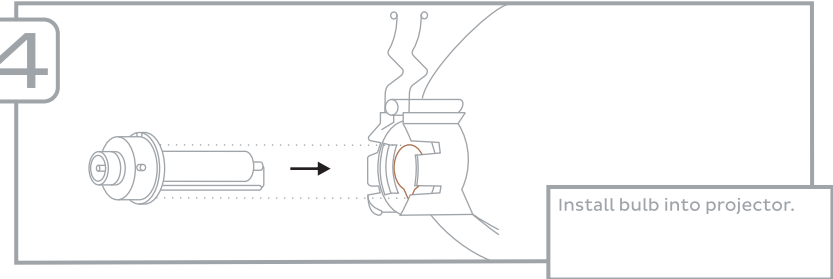
12V Input (9006 Female)

3



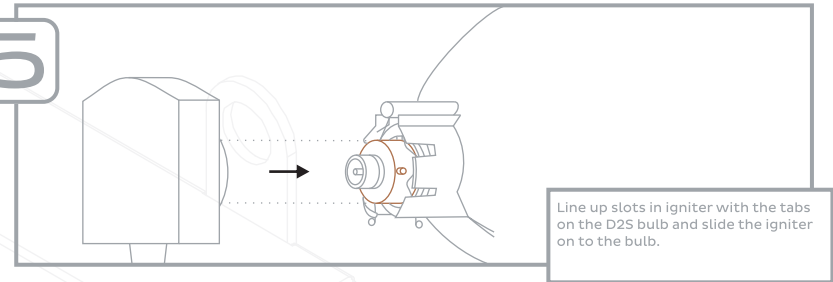
Listen for click of connectors to ensure fully seated!

4



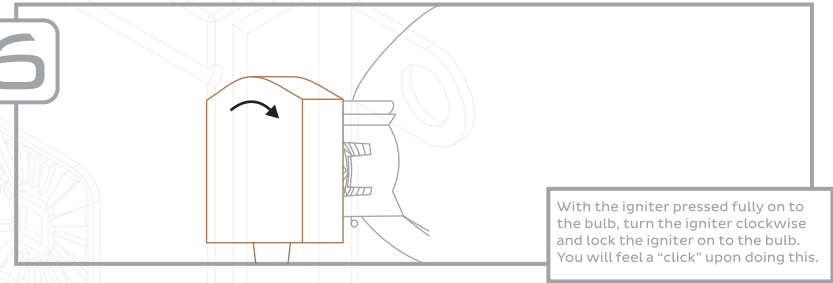
Install bulb into projector.

5



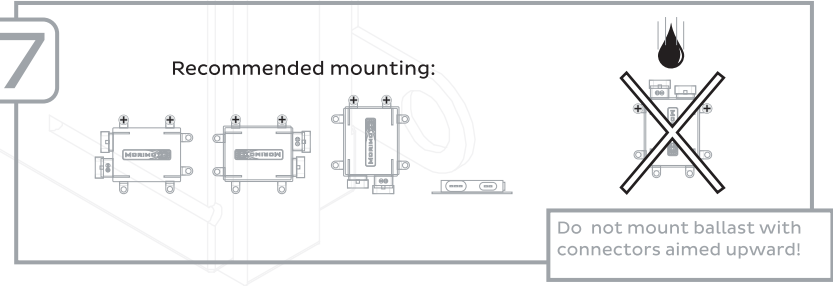
Line up slots in igniter with the tabs on the D2S bulb and slide the igniter on to the bulb.

6



With the igniter pressed fully on to the bulb, turn the igniter clockwise and lock the igniter on to the bulb. You will feel a "click" upon doing this.

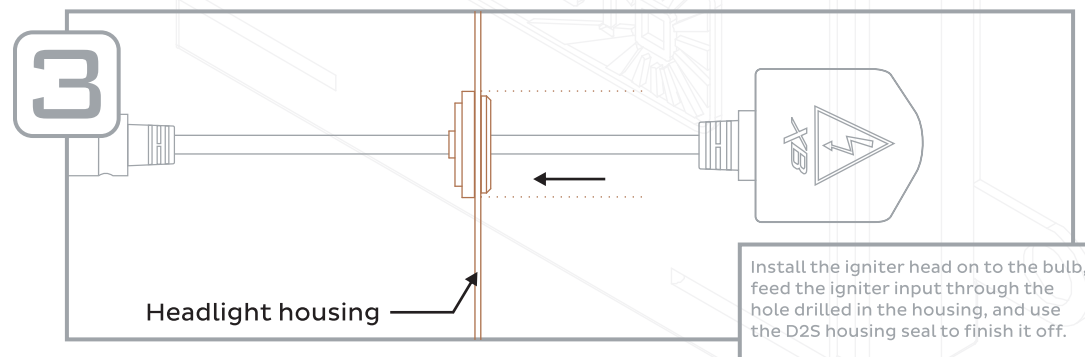
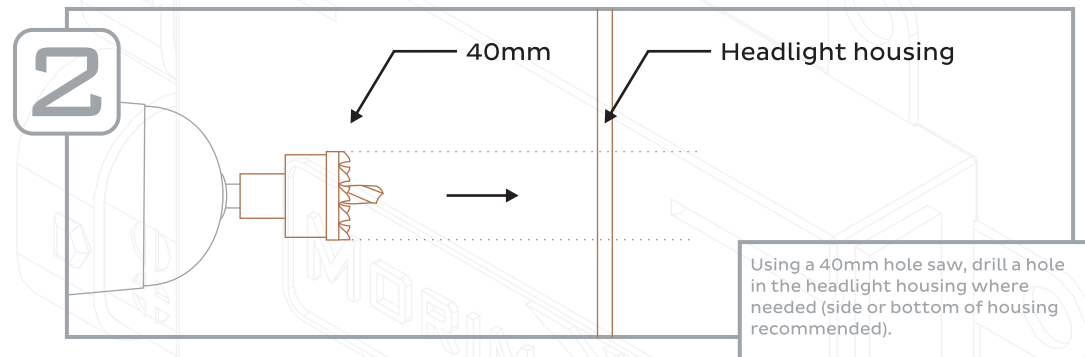
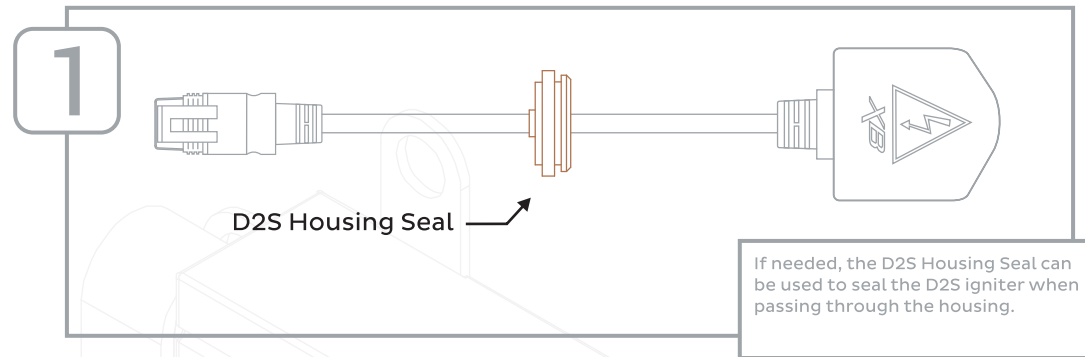
7



Recommended mounting:

Do not mount ballast with connectors aimed upward!

# OPTIONAL D2S HOUSING SEAL



-END-