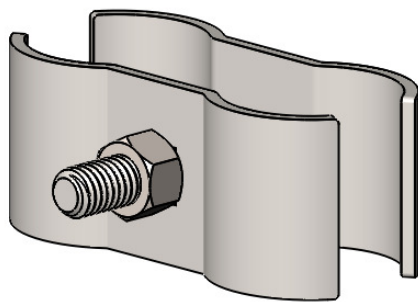
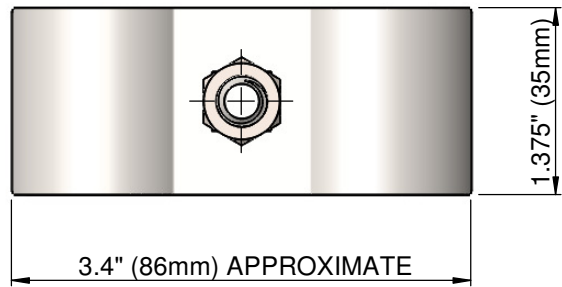
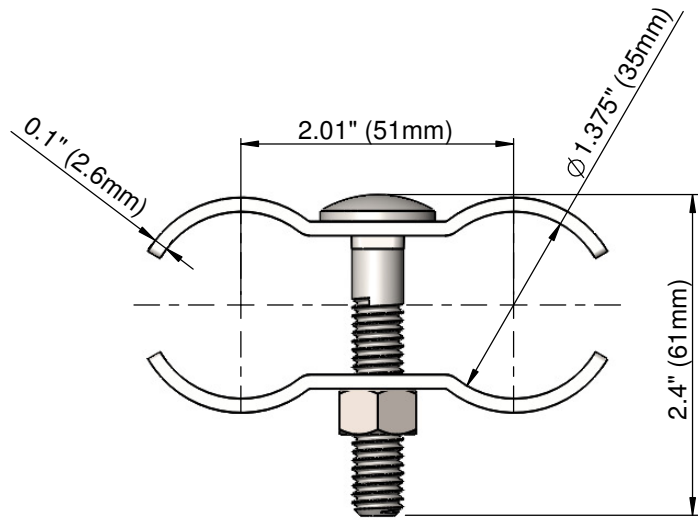


ALL DIMENSIONS IN MILLIMETRES
REMOVE ALL SHARP EDGES

THIRD ANGLE PROJECTION
DO NOT SCALE DRAWING



PRELIMINARY

| | | | | | |
|-----|---------|---------------------|-----|------|------|
| P3 | 30/7/20 | ISSUED FOR APPROVAL | GC | . | . |
| P2 | 29/7/20 | ISSUED FOR APPROVAL | GC | . | . |
| REV | DATE | DESCRIPTION | DRN | CHKD | APPR |

| | | |
|--------------------------------------|---|---------|
| TOLERANCES - UNLESS STATED OTHERWISE | | |
| FABRICATION | UP TO 300mm | +/- 1mm |
| | UP TO 1000mm | +/- 2mm |
| | 1001mm & ABOVE | +/- 3mm |
| | ANGULAR | +/- 1° |
| MACHINING | +/- 0.2mm | |
| GAUGE | +/- 10% | |
| WEIGHT | +/- 10% (DUE TO MATERIAL PROPERTIES & TOLERANCES) | |

| | | | |
|---------------------------------|-----------|----------|-----------------------------|
| TITLE: FENCE COUPLER (STANDARD) | | | |
| NAME | SIGNATURE | DATE | MATERIAL: |
| G. CRICK | | 10/12/19 | CARBON STEEL PRE-GALVANISED |
| CHK'D | | | |
| FINISH: | NONE | | |
| WEIGHT: 0.37 lbs (170g) | | | |



| | |
|---------------------|----------|
| Drw / Stockcode No. | Revision |
| 08551201 | P3 |

THE COMPANY RETAIN THE RIGHT TO PERIODICALLY ALTER INFORMATION WITHIN THIS DRAWING SHEET AND WILL ATTEMPT TO NOTIFY ALL PARTIES CONCERNED OF ANY CHANGES AND THE INFORMATION ON THIS SHEET SHOULD NOT BE REPRODUCED WITHOUT THEIR WRITTEN CONSENT.