

## DOOR TRACK GUARDS

**AVOID COSTLY REPAIRS.  
KEEP YOUR DOORS AS WELL  
AS YOUR PROFITS AND  
WORKFLOW FROM GOING  
OFF TRACK**

The DOCK-RAMP Door Track Guards are especially designed to protect doors in high-traffic areas, preventing impact damage from forklifts, motorized pallet movers, and other warehouse vehicles.

## AFTER MARKET SOLUTIONS

### DESIGNED FOR EFFECTIVE TRACK PROTECTION

The track guard wraps around a door track without interfering with the door's operation  
Powder coat finish in safety yellow enables high visibility.

### SIZED FOR YOUR APPLICATION

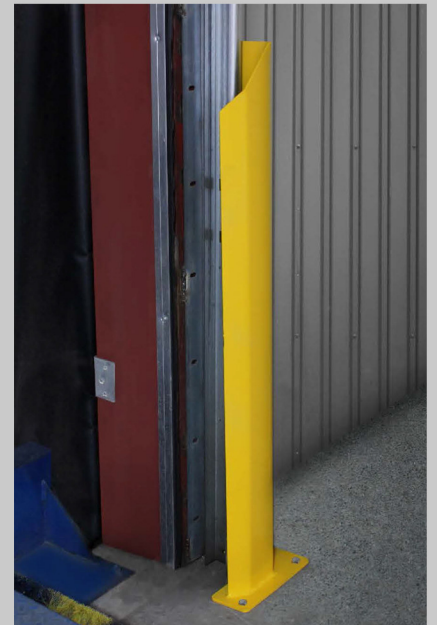
Available in 24", 36" and 48"  
(610, 914 and 1219mm) heights. Guards are  
10 3/4" (273mm) wide and 9" (227mm) deep.

### BUILT FOR STRENGTH

Low-profile with 45-degree angled flange to provide added strength and protection from side impacts.

### READY TO INSTALL

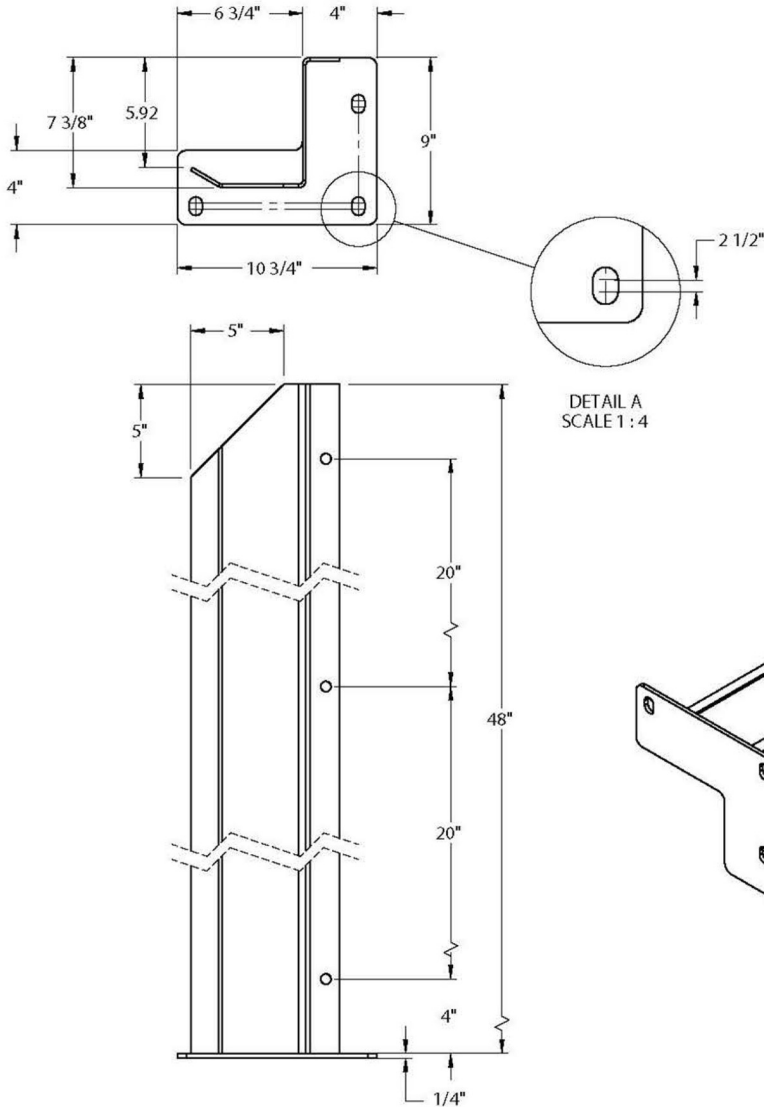
Comes with a 1/4" (76mm) foot plate drilled for three anchors, as well as a wall flange drilled for three anchors for maximum support.



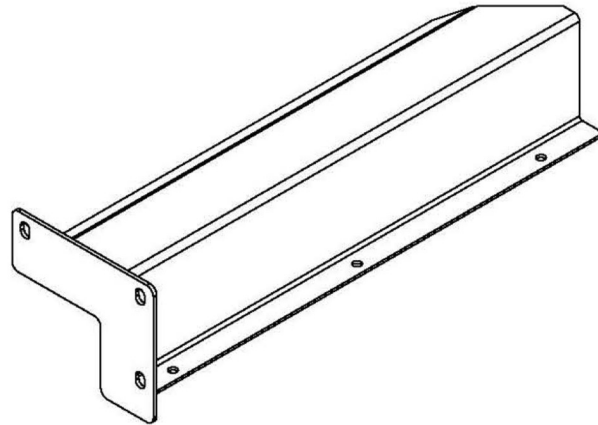
## DOOR TRACK GUARD

### SPECIFICATIONS

48" Track Guard shown.



A damaged overhead door track can mean lost time, money, and productivity as well as a security breach if the door cannot be closed. DOCK-RAMP Door Track Guards guard your doors and your profits - throughout the busiest work days.



Part number	Size (Height)
70-0005-24-6	24" (610mm)
70-0005-36-6	36" (914mm)
70-0005-48-6	48" (1219mm)

NOTE: Only height dimension changes - all other dimensions remain the same for 24" and 36" sizes.

**DEALER:**