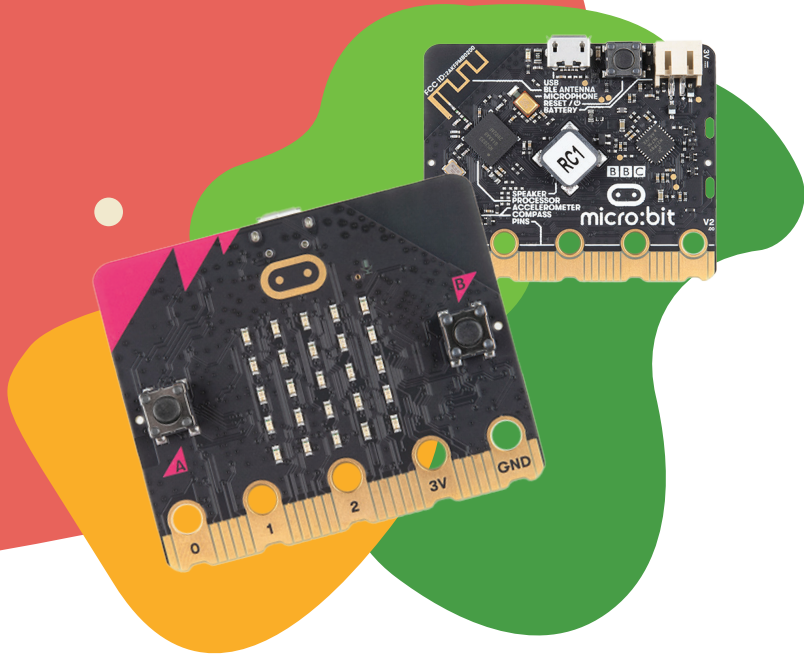


MICRO-PROCESSOR

# MICRO:BIT

**\$29.99** GO PACK  
**\$26.99** only micro:bit



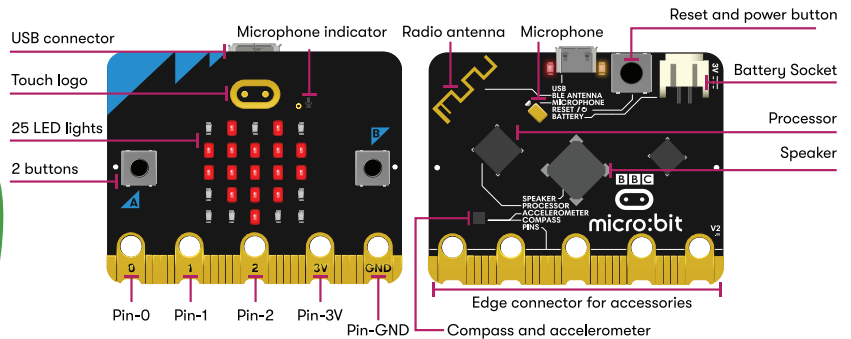
## ABOUT MICRO:BITS

The micro:bit is a small, pocket-sized computer that serves as a tangible way to introduce students to coding and robotics. Equipped with several buttons, sensors, and LEDs, the micro:bit is functional on its own or can be paired with a variety of accessories to control robots, musical instruments, games and many other creations. micro:bits can be programmed using Microsoft MakeCode using block-based or JavaScript coding, and provide a great introduction to coding for any beginner.

## FEATURES

- Microprocessor: 32-bit ARM Cortex M0 CPU
- 2 Programmable buttons
- On-board motion detector
- 5x5 LED Matrix
- Bluetooth compatible
- Built-in microphone & speaker
- Built-in compass
- Temperature & light sensors
- Device-to-device radio communication

## MICRO:BIT V2



## WHAT'S IN A MICRO:BIT GO PACK?

The micro:bit Go Pack contains everything you need to get coding straight out of the box, making it the ideal starter kit.

## INCLUDES

- 1 x micro:bit
- 1 x USB Cable
- 1 x Battery Holder
- 2 x AAA Batteries
- Quick Start Guide



EDUCATOR TRAINING  
PACKAGES AVAILABLE



ONLINE LESSON  
CONTENT



CANADIAN TECH  
SUPPORT

## GET IN TOUCH

180 St. Leger Street,  
Kitchener, Ontario  
N2H 4M5

1-844-465-7684  
sales@inksmith.ca  
www.inksmith.ca

