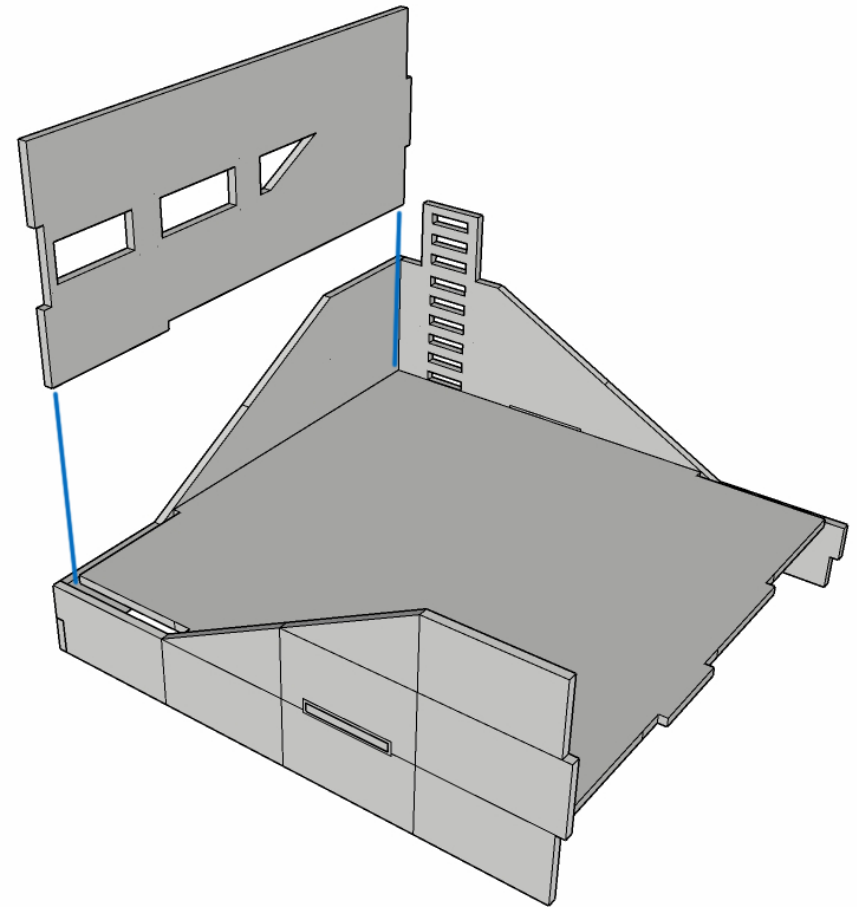
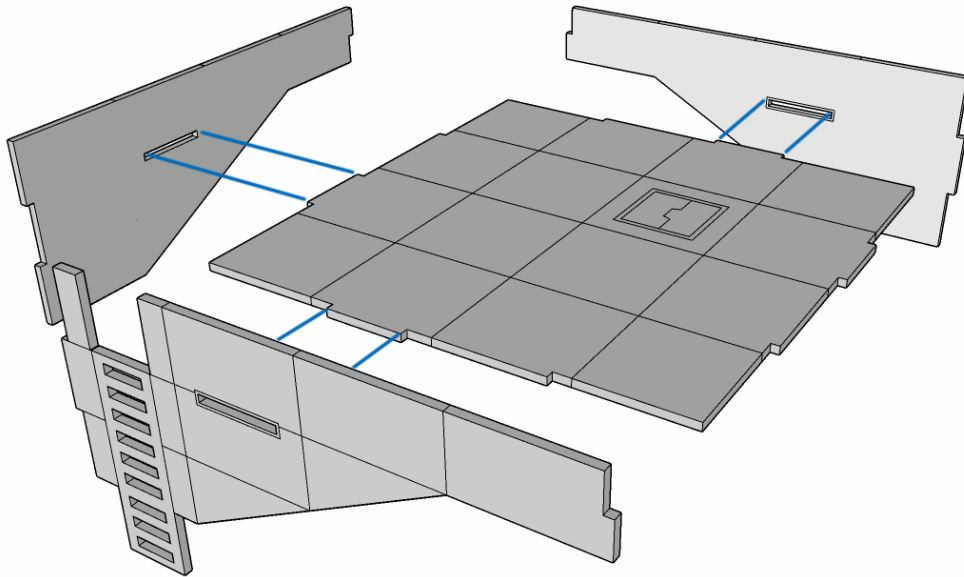
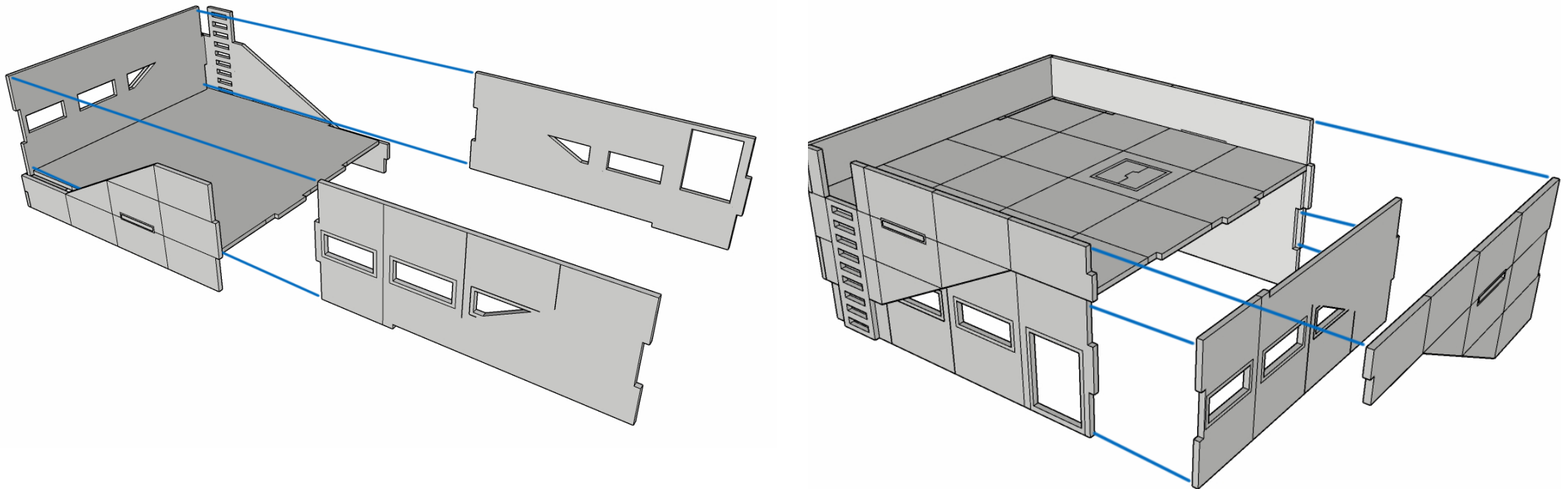


ETERNITY LABS MODULE B INSTRUCTIONS

Note: due to the stacking nature of the design, it is best to paint the Eternity Lab modules BEFORE assembling them. The thickness of the paint when the kit is already made makes it more difficult to easily stack the modules.



ETERNITY LABS MODULE B INSTRUCTIONS



ETERNITY LABS MODULE B INSTRUCTIONS

