

# Z238-4.5R1.00-BLK

CTR MNT, 2-3/8" RP, 4.5" BACKING  
Mounts to 2-3/8" round posts

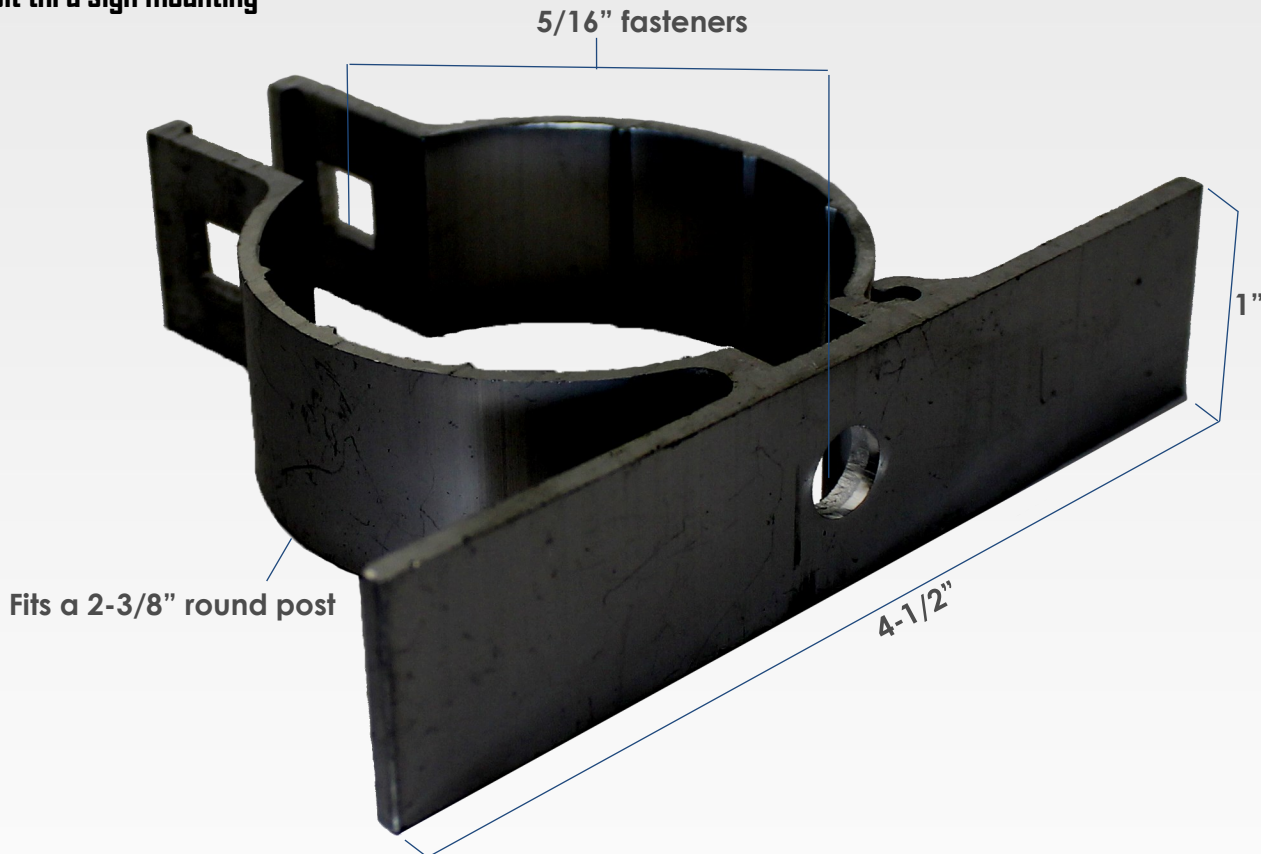
Commonly used throughout North America · Backed by a one-year manufacturer warranty

## Product Specifications:

- Extruded aluminum, will not rust, 100% recyclable
- Black anodized finish
- 4-1/2" sign backing support
- Teeth on inside of bracket to increase clamping pressure
- Clamp to post
- Bolt thru sign mounting

## Testing Specifications:

- Post mounting fasteners tested at 75 in-lbs torque
- Sign mounting fasteners tested at 100 in-lbs torque
- Tested with grade 2 fasteners



## Z238-4.5R1.00-BLK Fastener Options

'ZP' = Zinc Plated / 'SS' = Stainless Steel

### Z238-4.5R1.00-BLK

- includes no fasteners (we can even offer fasteners not listed in our catalogue)

### Z238-4.5R1.00-BLK-ZP / Z238-4.5R1.00-BLK-SS

- HEX HEAD BOLT, 5/16"-18UNC X 0.75" (x1)
- CARRIAGE HEAD BOLT, 5/16"-18UNC X 1.5" (x1)
- HEX NUT, 5/16"-18UNC (x2)
- SPRING-LOCK WASHER, 5/16"ID (x2)



**Dyna Engineering Ltd.**  
info@dynabrackets.com

[dynaengineering.com](http://dynaengineering.com)

# Z300-7.5R1.25-BLK

CTR MNT, 3" RP, 7.5" BACKING  
Mounts to 2-7/8" and 3" round posts

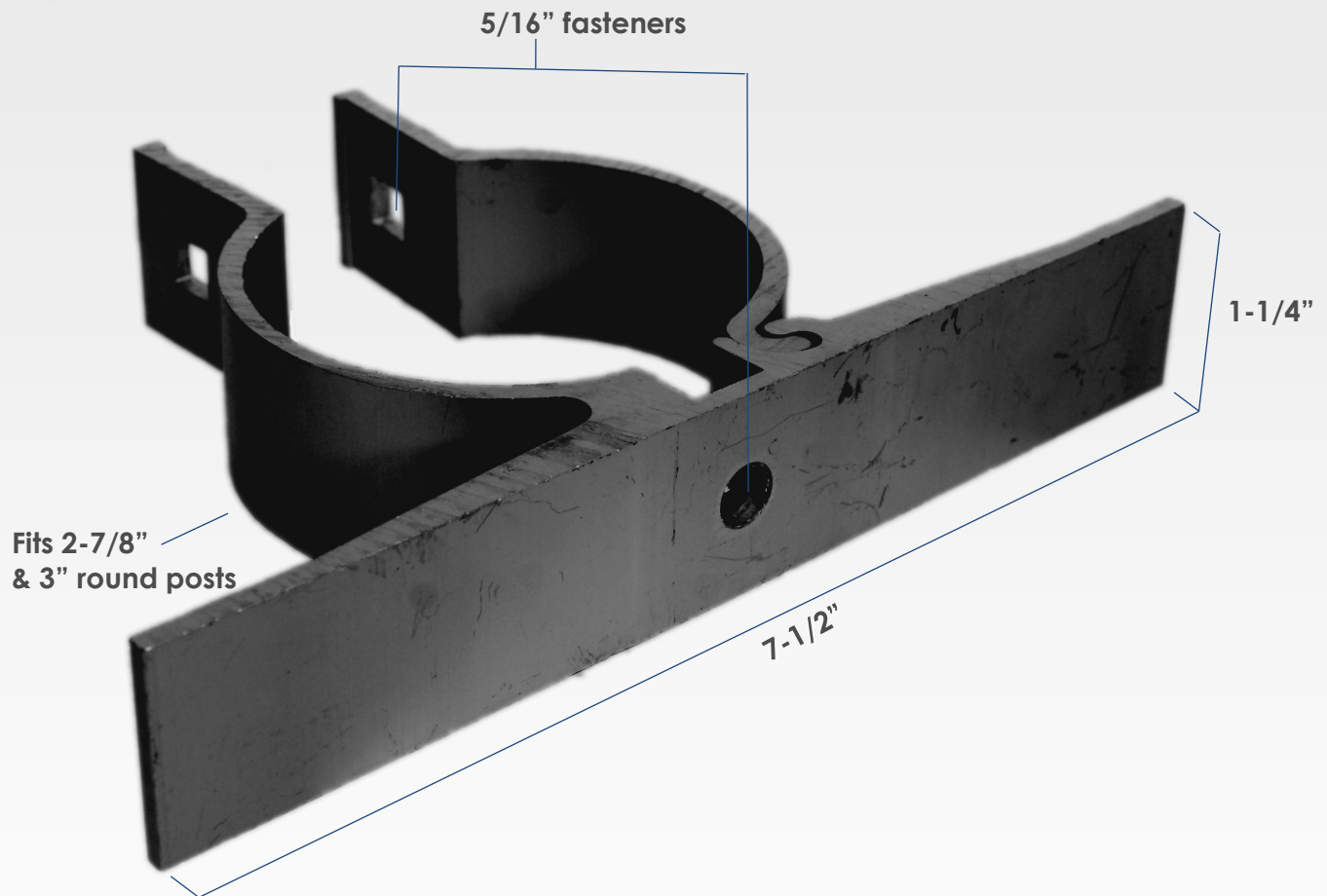
Commonly used throughout North America · Backed by a one-year manufacturer warranty

## Product Specifications:

- Extruded aluminum, will not rust, 100% recyclable
- Black anodized finish
- 7-1/2" sign backing support
- Clamp to post
- Bolt thru sign mounting

## Testing Specifications:

- Post mounting fasteners tested at 75 in-lbs torque
- Sign mounting fasteners tested at 100 in-lbs torque
- Tested with grade 2 fasteners



## Z300-7.5R1.25-BLK Fastener Options

'ZP' = Zinc Plated / 'SS' = Stainless Steel

### Z300-7.5R1.25-BLK

- includes no fasteners (we can even offer fasteners not listed in our catalogue)

### Z300-7.5R1.25-BLK-ZP / Z300-7.5R1.25-BLK-SS

- HEX HEAD BOLT, 5/16"-18UNC X 0.75" (x1)
- CARRIAGE HEAD BOLT, 5/16"-18UNC X 2" (x1)
- HEX NUT, 5/16"-18UNC (x2)
- SPRING-LOCK WASHER, 5/16"ID (x2)



**Dyna Engineering Ltd.**  
info@dynabrackets.com

[dynaengineering.com](http://dynaengineering.com)

# Z400-7.5R1.25-BLK

CTR MNT, 4" RP, 7.5" BACKING  
Mounts to 4" round posts

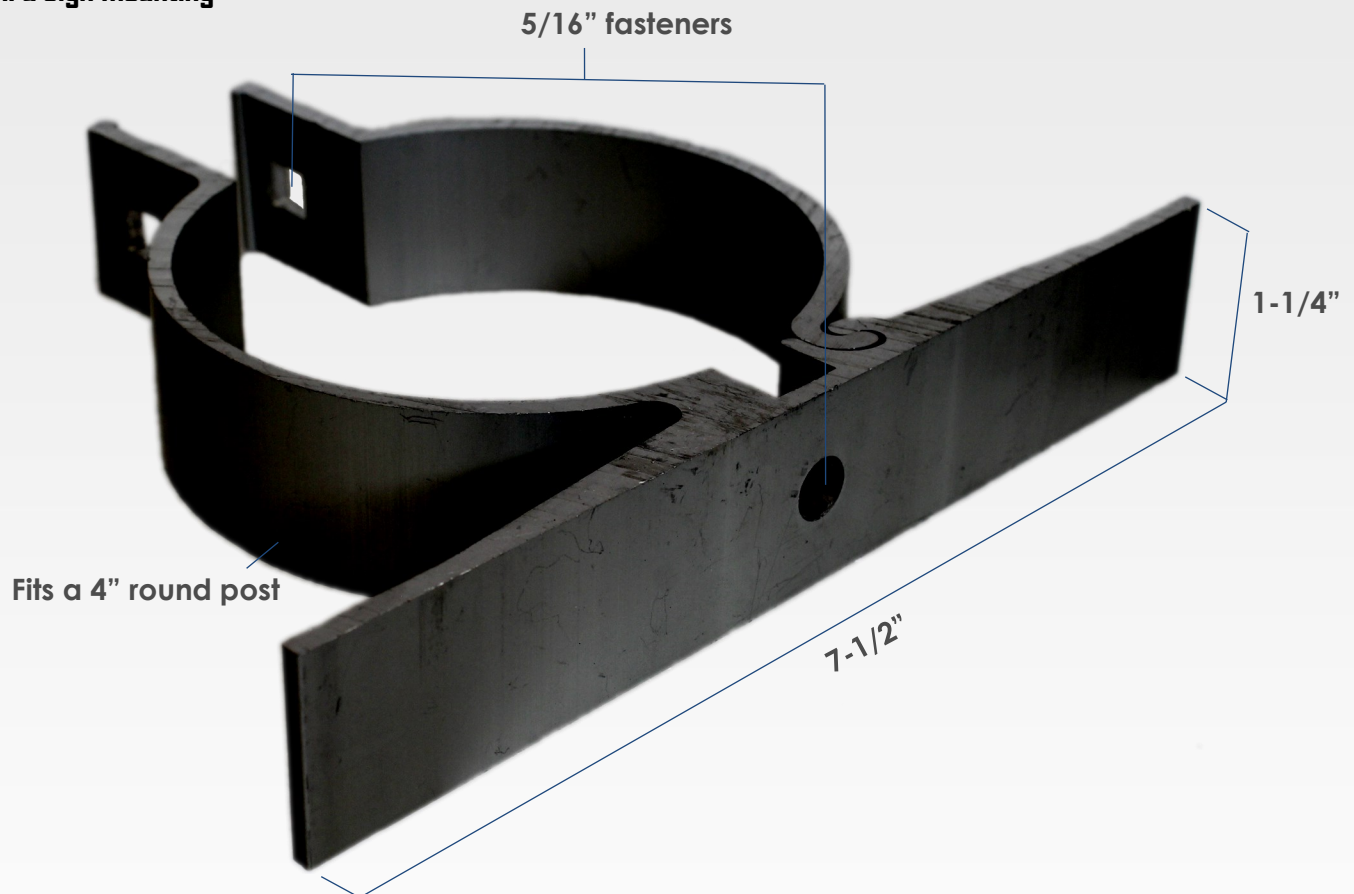
Commonly used throughout North America · Backed by a one-year manufacturer warranty

## Product Specifications:

- Extruded aluminum, will not rust, 100% recyclable
- Black anodized finish
- 7-1/2" sign backing support
- Clamp to post
- Bolt thru sign mounting

## Testing Specifications:

- Post mounting fasteners tested at 75 in-lbs torque
- Sign mounting fasteners tested at 100 in-lbs torque
- Tested with grade 2 fasteners



## Z400-7.5R1.25-BLK Fastener Options

'ZP' = Zinc Plated / 'SS' = Stainless Steel

### Z400-7.5R1.25-BLK

- includes no fasteners (we can even offer fasteners not listed in our catalogue)

### Z400-7.5R1.25-BLK-ZP / Z400-7.5R1.25-BLK-SS

- HEX HEAD BOLT, 5/16"-18UNC X 0.75" (x1)
- CARRIAGE HEAD BOLT, 5/16"-18UNC X 2" (x1)
- HEX NUT, 5/16"-18UNC (x2)
- SPRING-LOCK WASHER, 5/16"ID (x2)



**Dyna Engineering Ltd.**  
info@dynaengineers.com

[dynaengineering.com](http://dynaengineering.com)

# Z412-7.5R1.25-BLK

CTR MNT, 4-1/2" RP, 7.5" BACKING  
Mounts to 4-1/2" round posts

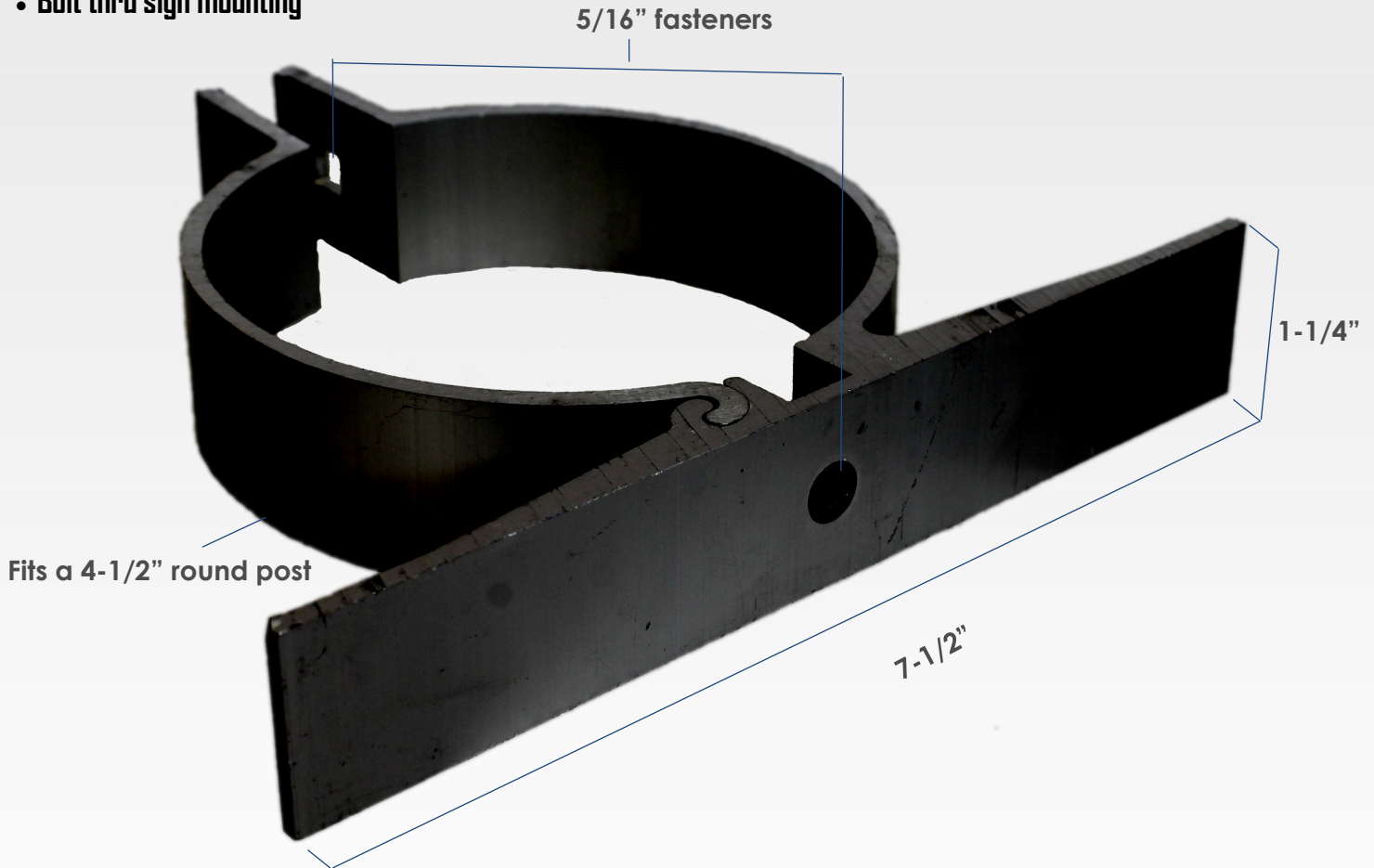
Commonly used throughout North America · Backed by a one-year manufacturer warranty

## Product Specifications:

- Extruded aluminum, will not rust, 100% recyclable
- Black anodized finish
- 7-1/2" sign backing support
- Clamp to post
- Bolt thru sign mounting

## Testing Specifications:

- Post mounting fasteners tested at 75 in-lbs torque
- Sign mounting fasteners tested at 100 in-lbs torque
- Tested with grade 2 fasteners



## Z412-7.5R1.25-BLK Fastener Options

'ZP' = Zinc Plated / 'SS' = Stainless Steel

### Z412-7.5R1.25-BLK

- includes no fasteners (we can even offer fasteners not listed in our catalogue)

### Z412-7.5R1.25-BLK-ZP / Z412-7.5R1.25-BLK-SS

- HEX HEAD BOLT, 5/16"-18UNC X 0.75" (x1)
- CARRIAGE HEAD BOLT, 5/16"-18UNC X 2" (x1)
- HEX NUT, 5/16"-18UNC (x2)
- SPRING-LOCK WASHER, 5/16"ID (x2)



**Dyna Engineering Ltd.**  
info@dynabrackets.com

[www.dynabrackets.com](http://www.dynabrackets.com)