

Z238-4.5R1.00

CTR MNT, 2-3/8" RP, 4.5" BACKING
Mounts to 2-3/8" round posts

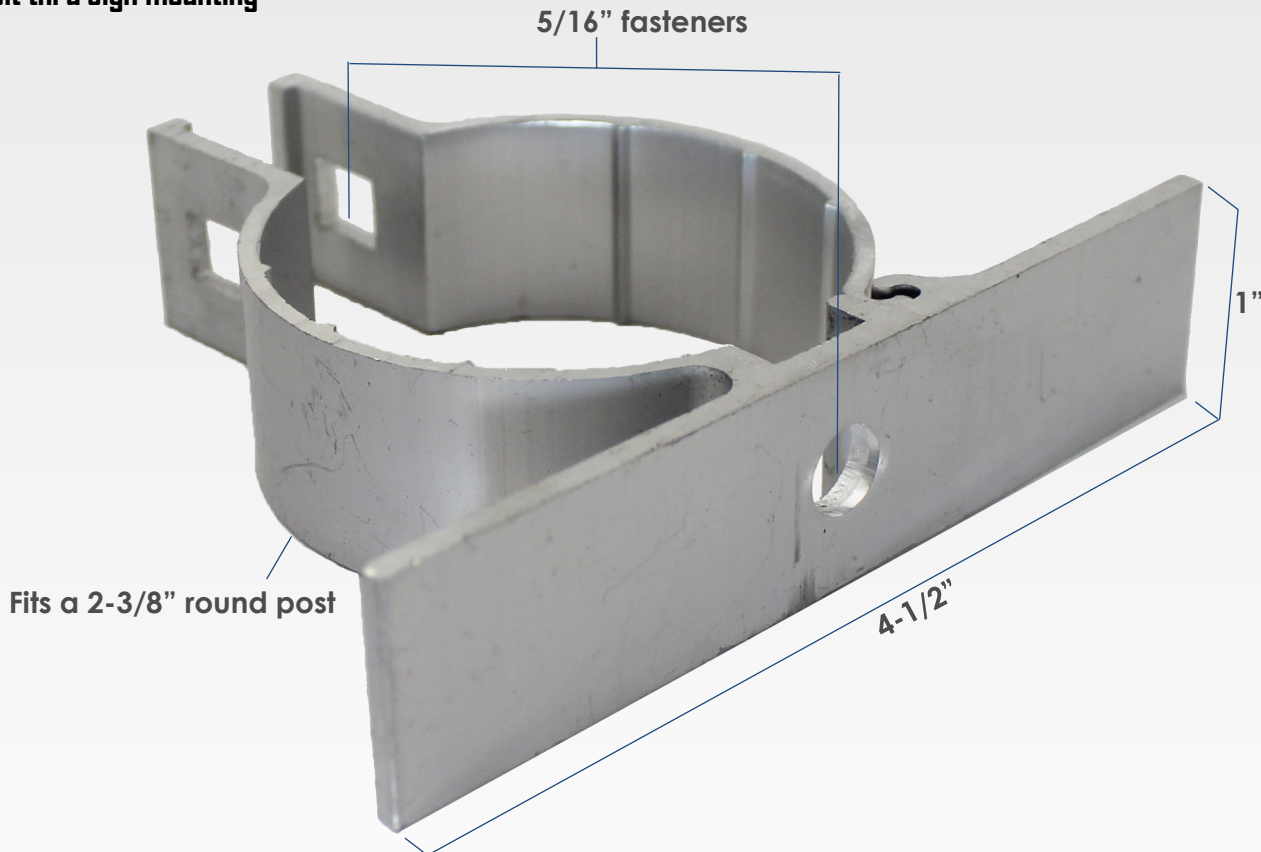
Commonly used throughout North America · Backed by a one-year manufacturer warranty

Product Specifications:

- Extruded aluminum, will not rust, 100% recyclable
- Clear anodized finish
- 4-1/2" sign backing support
- Teeth on inside of bracket to increase clamping pressure
- Clamp to post
- Bolt thru sign mounting

Testing Specifications:

- Post mounting fasteners tested at 75 in-lbs torque
- Sign mounting fasteners tested at 100 in-lbs torque
- Tested with grade 2 fasteners



Z238-4.5R1.00 Fastener Options

'ZP' = Zinc Plated / 'SS' = Stainless Steel

Z238-4.5R1.00

- includes no fasteners (we can even offer fasteners not listed in our catalogue)

Z238-4.5R1.00-ZP / Z238-4.5R1.00-SS

- HEX HEAD BOLT, 5/16"-18UNC X 0.75" (x1)
- CARRIAGE HEAD BOLT, 5/16"-18UNC X 1.5" (x1)
- HEX NUT, 5/16"-18UNC (x2)
- SPRING-LOCK WASHER, 5/16"ID (x2)



Dyna Engineering Ltd.
info@dynabrackets.com

dynaengineering.com

Z300-7.5R1.25

CTR MNT, 3" RP, 7.5" BACKING
Mounts to 2-7/8" and 3" round posts

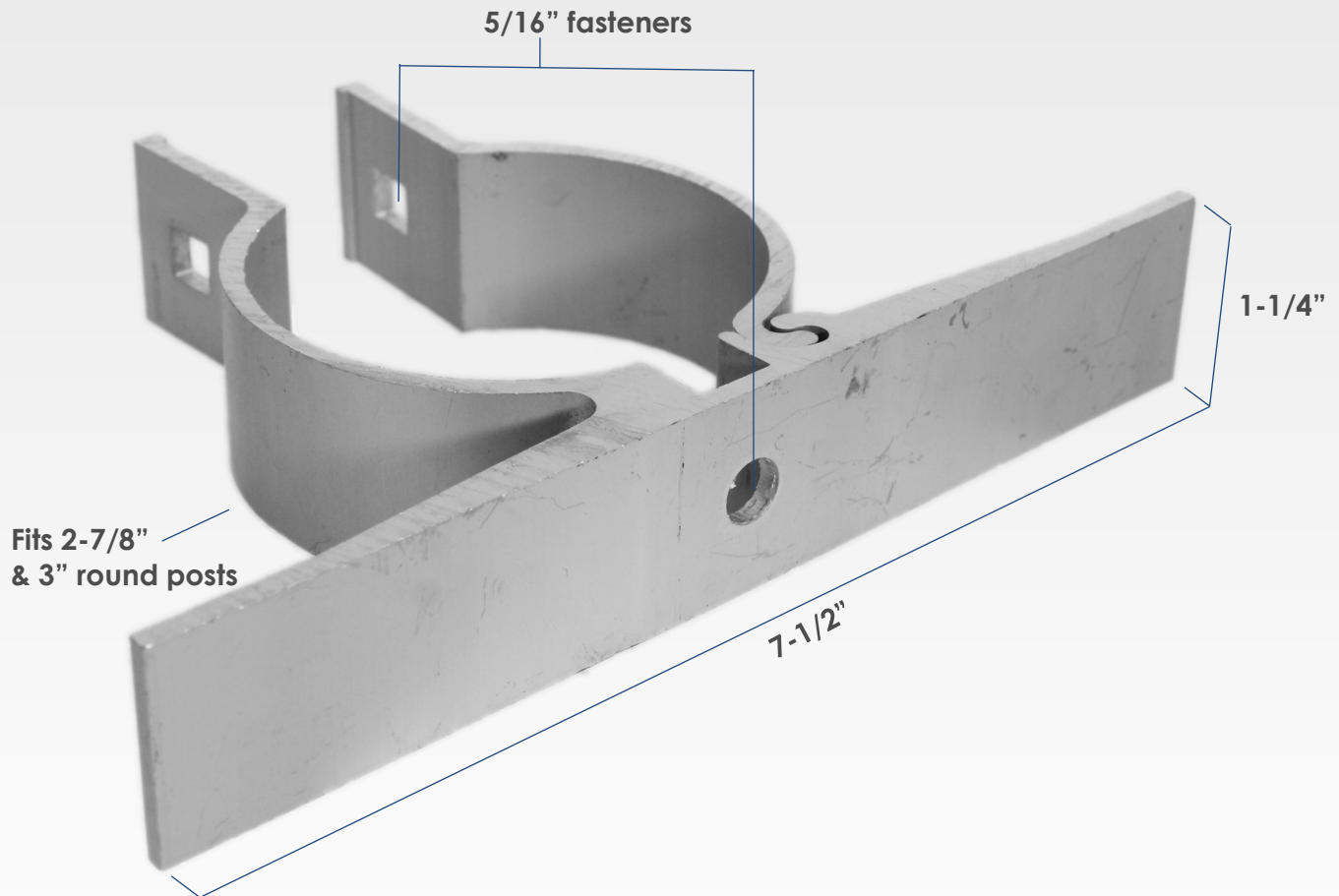
Commonly used throughout North America · Backed by a one-year manufacturer warranty

Product Specifications:

- Extruded aluminum, will not rust, 100% recyclable
- Clear anodized finish
- 7-1/2" sign backing support
- Clamp to post
- Bolt thru sign mounting

Testing Specifications:

- Post mounting fasteners tested at 75 in-lbs torque
- Sign mounting fasteners tested at 100 in-lbs torque
- Tested with grade 2 fasteners



Z300-7.5R1.25 Fastener Options

'ZP' = Zinc Plated / 'SS' = Stainless Steel

Z300-7.5R1.25

- includes no fasteners (we can even offer fasteners not listed in our catalogue)

Z300-7.5R1.25-ZP / Z300-7.5R1.25-SS

- HEX HEAD BOLT, 5/16"-18UNC X 0.75" (x1)
- CARRIAGE HEAD BOLT, 5/16"-18UNC X 2" (x1)
- HEX NUT, 5/16"-18UNC (x2)
- SPRING-LOCK WASHER, 5/16"ID (x2)



Dyna Engineering Ltd.
info@dynabrackets.com

dynaengineering.com

Z400-7.5R1.25

CTR MNT, 4" RP, 7.5" BACKING
Mounts to 4" round posts

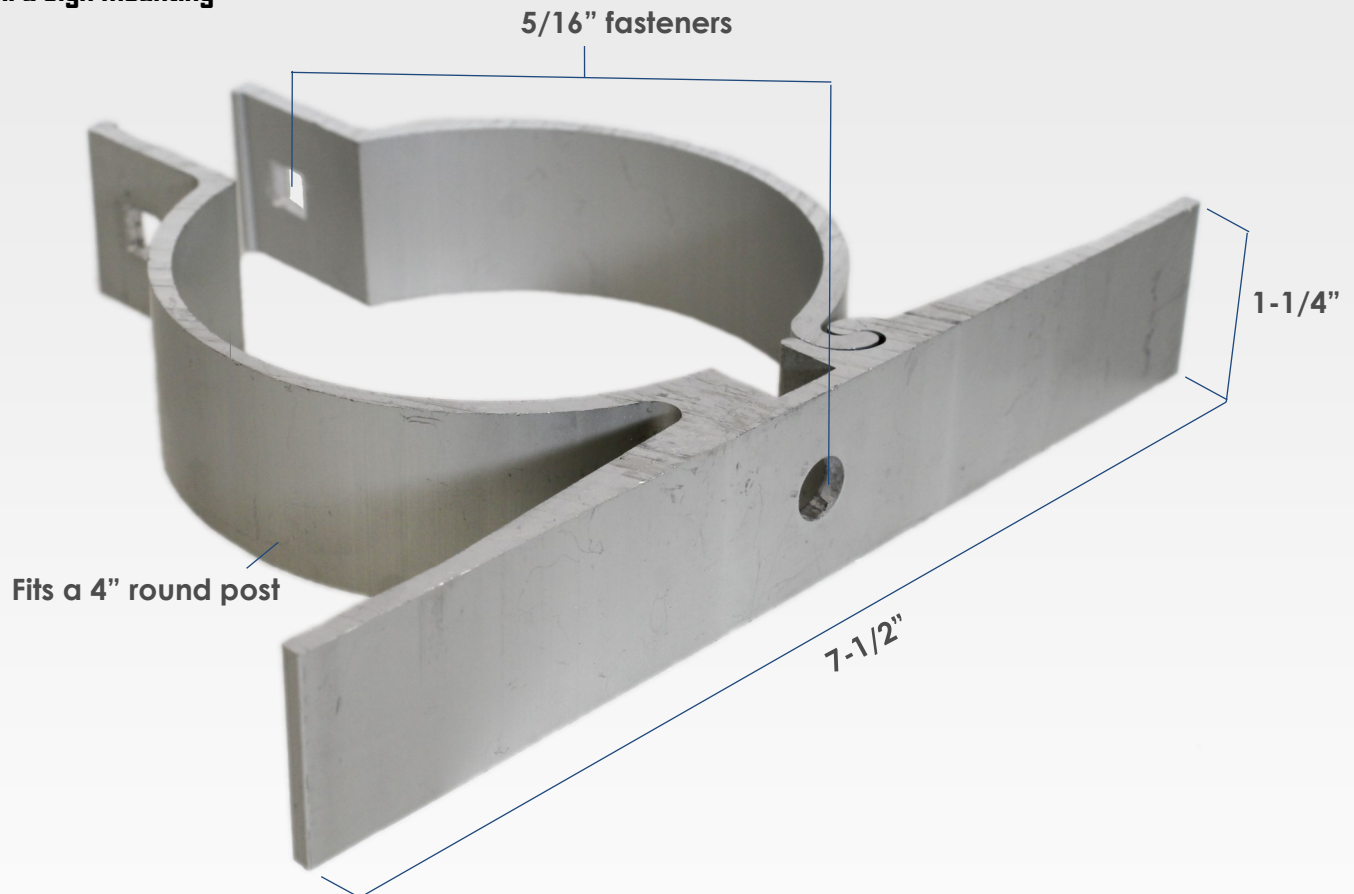
Commonly used throughout North America · Backed by a one-year manufacturer warranty

Product Specifications:

- Extruded aluminum, will not rust, 100% recyclable
- Clear anodized finish
- 7-1/2" sign backing support
- Clamp to post
- Bolt thru sign mounting

Testing Specifications:

- Post mounting fasteners tested at 75 in-lbs torque
- Sign mounting fasteners tested at 100 in-lbs torque
- Tested with grade 2 fasteners



Z400-7.5R1.25 Fastener Options

'ZP' = Zinc Plated / 'SS' = Stainless Steel

Z400-7.5R1.25

- includes no fasteners (we can even offer fasteners not listed in our catalogue)

Z400-7.5R1.25-ZP / Z400-7.5R1.25-SS

- HEX HEAD BOLT, 5/16"-18UNC X 0.75" (x1)
- CARRIAGE HEAD BOLT, 5/16"-18UNC X 2" (x1)
- HEX NUT, 5/16"-18UNC (x2)
- SPRING-LOCK WASHER, 5/16"ID (x2)



Dyna Engineering Ltd.

info@dynaengineers.com

dynaengineering.com

Z412-7.5R1.25

CTR MNT, 4-1/2" RP, 7.5" BACKING
Mounts to 4-1/2" round posts

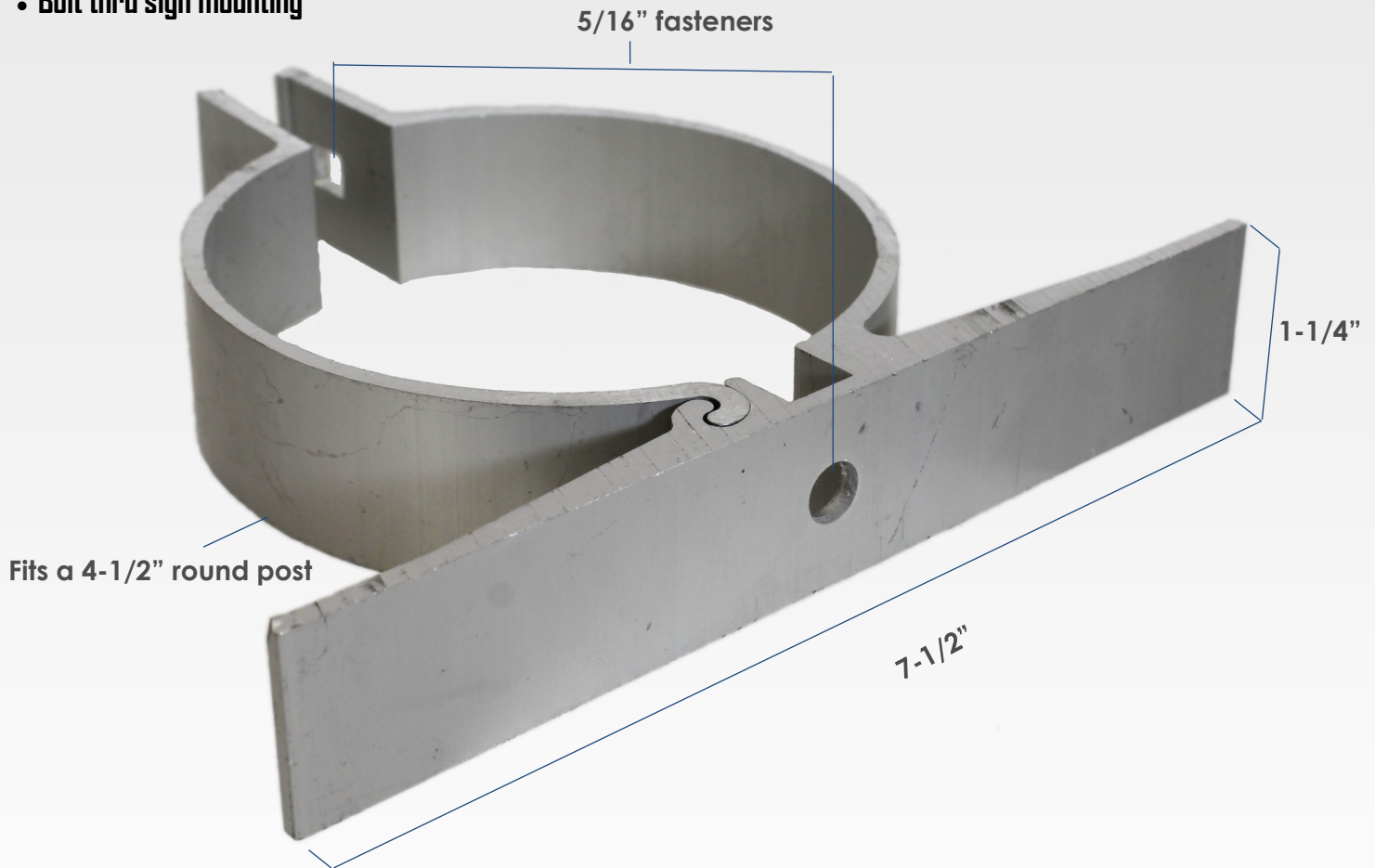
Commonly used throughout North America · Backed by a one-year manufacturer warranty

Product Specifications:

- Extruded aluminum, will not rust, 100% recyclable
- Clear anodized finish
- 7-1/2" sign backing support
- Clamp to post
- Bolt thru sign mounting

Testing Specifications:

- Post mounting fasteners tested at 75 in-lbs torque
- Sign mounting fasteners tested at 100 in-lbs torque
- Tested with grade 2 fasteners



Z412-7.5R1.25 Fastener Options

'ZP' = Zinc Plated / 'SS' = Stainless Steel

Z412-7.5R1.25

- includes no fasteners (we can even offer fasteners not listed in our catalogue)

Z412-7.5R1.25-ZP / Z412-7.5R1.25-SS

- HEX HEAD BOLT, 5/16"-18UNC X 0.75" (x1)
- CARRIAGE HEAD BOLT, 5/16"-18UNC X 2" (x1)
- HEX NUT, 5/16"-18UNC (x2)
- SPRING-LOCK WASHER, 5/16"ID (x2)



Dyna Engineering Ltd.
info@dynabrackets.com

dynaengineering.com