

UCC-0220

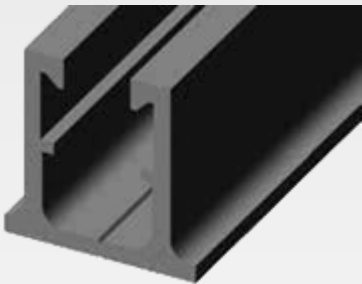
UNIVERSAL CHANNEL CLAMP, SS304

Mounts to 2-3/8"+ round posts, 3"+ square posts and all lamp standards

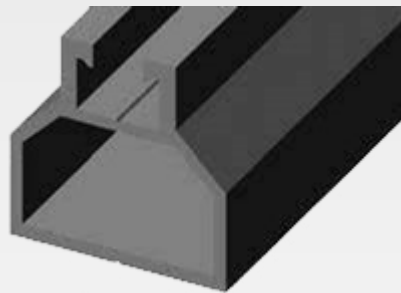
Commonly used throughout North America · Backed by a one-year manufacturer warranty

Product Specifications:

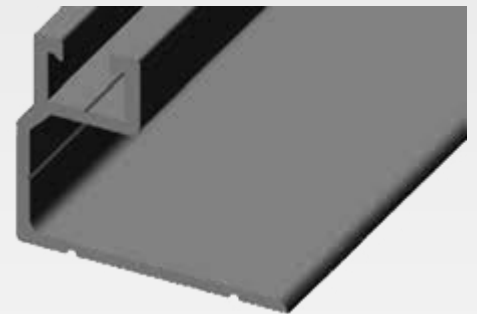
- Stainless steel, will not rust, 100% recyclable
- Vibratory polished to a low sheen
- Part of the SIGNFIX Modular Sign Support System
- Mounts medium, large and large corner SIGNFIX channel extrusions
- Strap to post



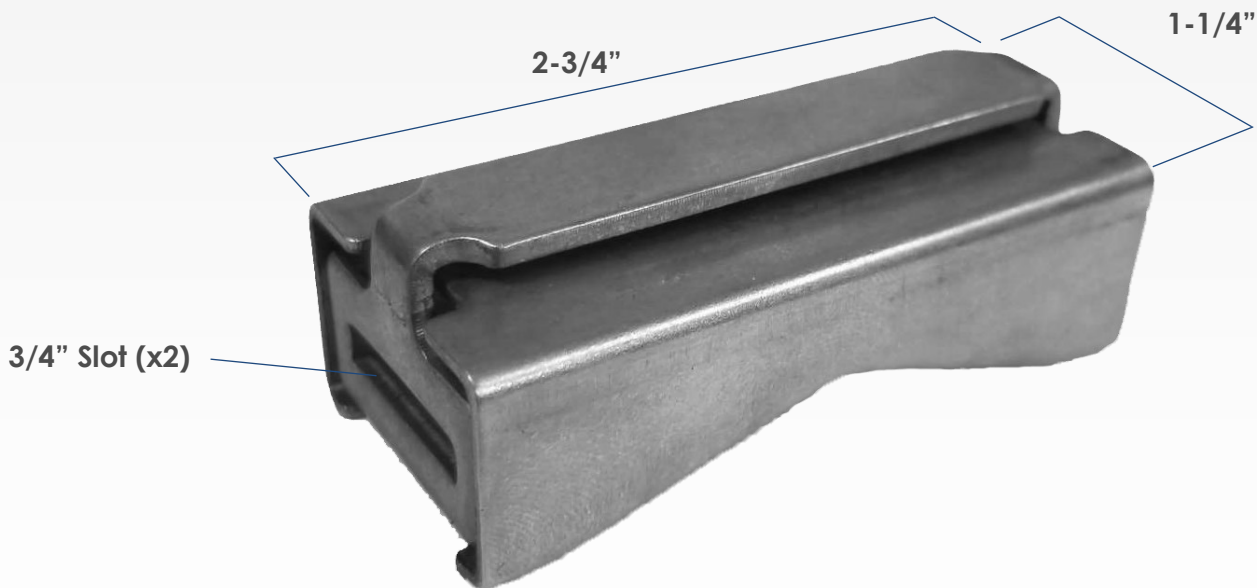
Medium



Large



Large Corner



Dyna Engineering Ltd.

info@dynabrackets.com

dynaengineering.com