

SB-001

CTR MNT, STRAIGHT LEG, SS, 2"-4"+ POST, STRAP-ON

Mounts to 2"-4" round posts, 2"+ square posts and all lamp standards

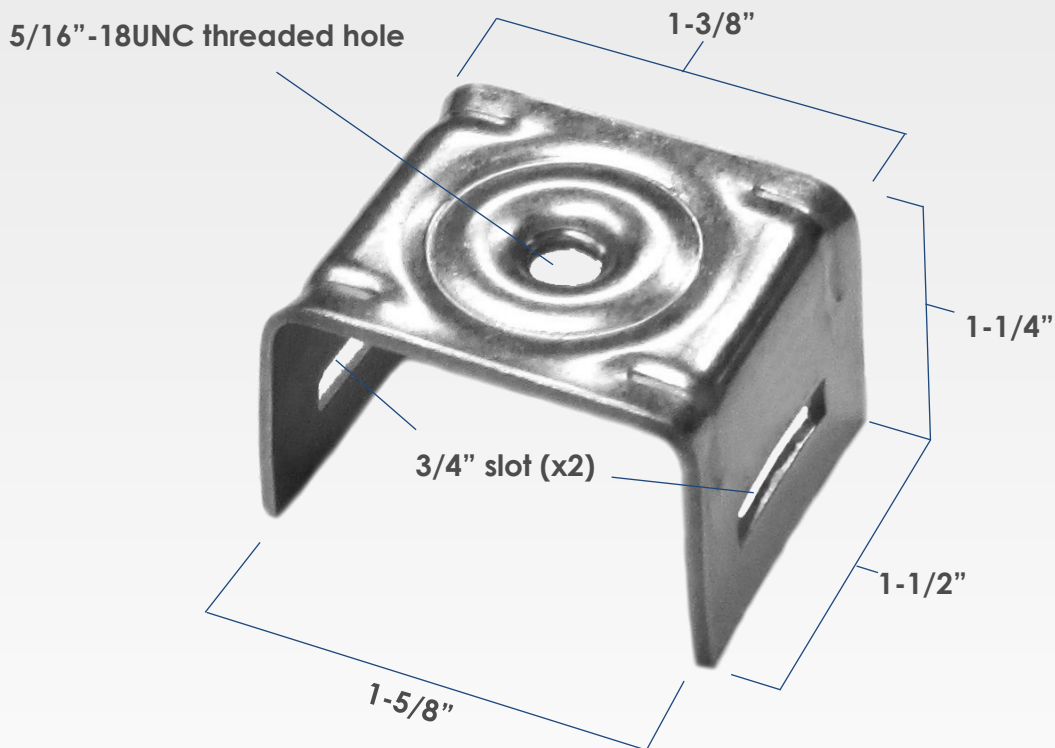
Commonly used throughout North America · Backed by a one-year manufacturer warranty

Product Specifications:

- Stainless steel, will not rust, 100% recyclable
- Vibratory polished to a low sheen
- Strap to post
- Bolt thru sign mounting

Testing Specifications:

- Sign mounting fasteners tested at 100 in-lbs torque
- Typically used with grade 18/8 fasteners



SB-001 Fastener Options

'ZP' = Zinc Plated / 'SS' = Stainless Steel

SB-001

- includes no fasteners (we can even offer fasteners not listed in our catalogue)

SB-001-SS-PB

- HEX HEAD BOLT, SS, 5/16"-18UNC X 0.625" (x1)
- FLAT WASHER, SS, 5/16"ID X 0.75"OD (x1)
- FLAT WASHER, NL, 5/16"ID X 0.75"OD (x1)



Dyna Engineering Ltd.
info@dynaengineers.com

dynaengineering.com

D004

CTR MNT, STRAIGHT LEG, SS, 2"-4"+ POST, STRAP-ON
Mounts to 2"-4" round posts, 2"+ square posts and all lamp standards

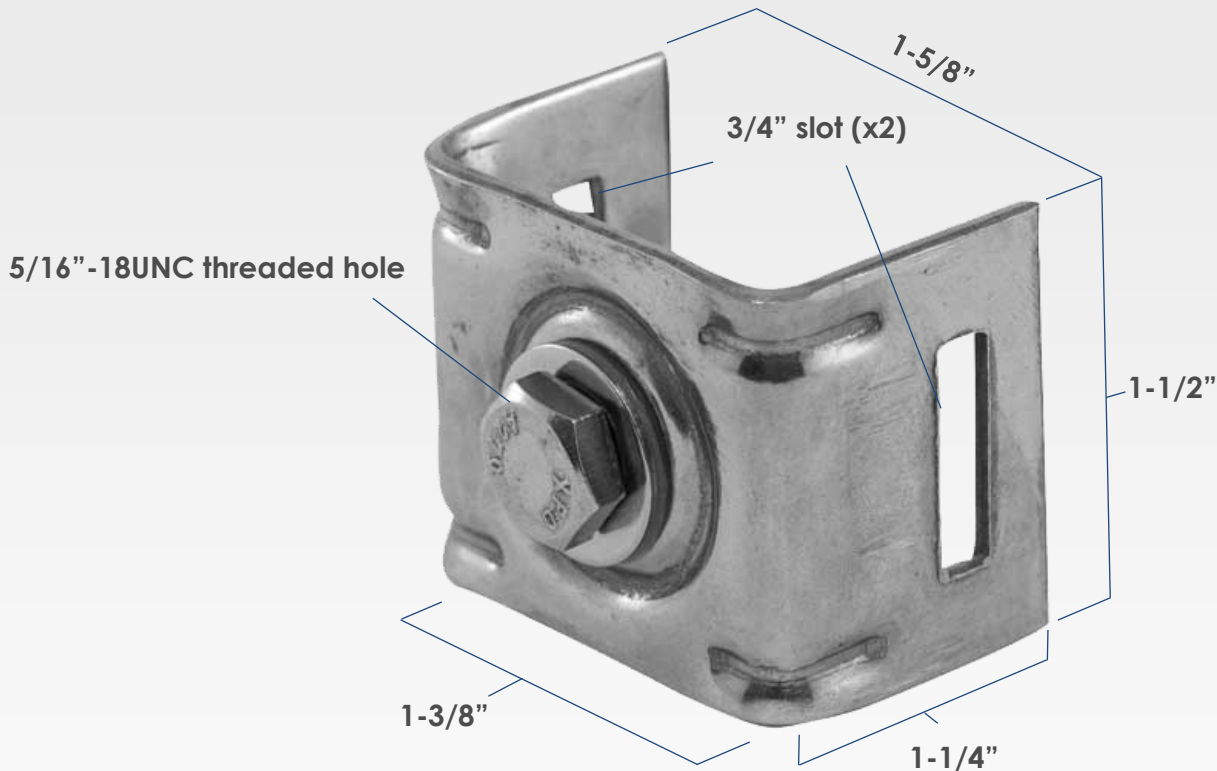
Commonly used throughout North America · Backed by a one-year manufacturer warranty

Product Specifications:

- Stainless steel, will not rust, 100% recyclable
- Vibratory polished to a low sheen
- Strap to post
- Bolt thru sign mounting

Testing Specifications:

- Sign mounting fasteners tested at 100 in-lbs torque
- Typically used with grade 18/8 fasteners



D004 Fastener Options

'ZP' = Zinc Plated / 'SS' = Stainless Steel

D004

- includes no fasteners (we can even offer fasteners not listed in our catalogue)

D001

- HEX HEAD BOLT, SS, 5/16"-18UNC X 0.625" (x1)
- FLAT WASHER, SS, 5/16"ID X 0.75"OD (x1)
- FLAT WASHER, NL, 5/16"ID X 0.75"OD (x1)



Dyna Engineering Ltd.
info@dynaengineers.com

dynaengineering.com