

# LB-007

1" L-SHAPED END MOUNT FOR FLAT OR EXTRUDED SIGNS

Mounts to 2-3/8"+ round posts, 1-1/4"+ square posts and all lamp standards

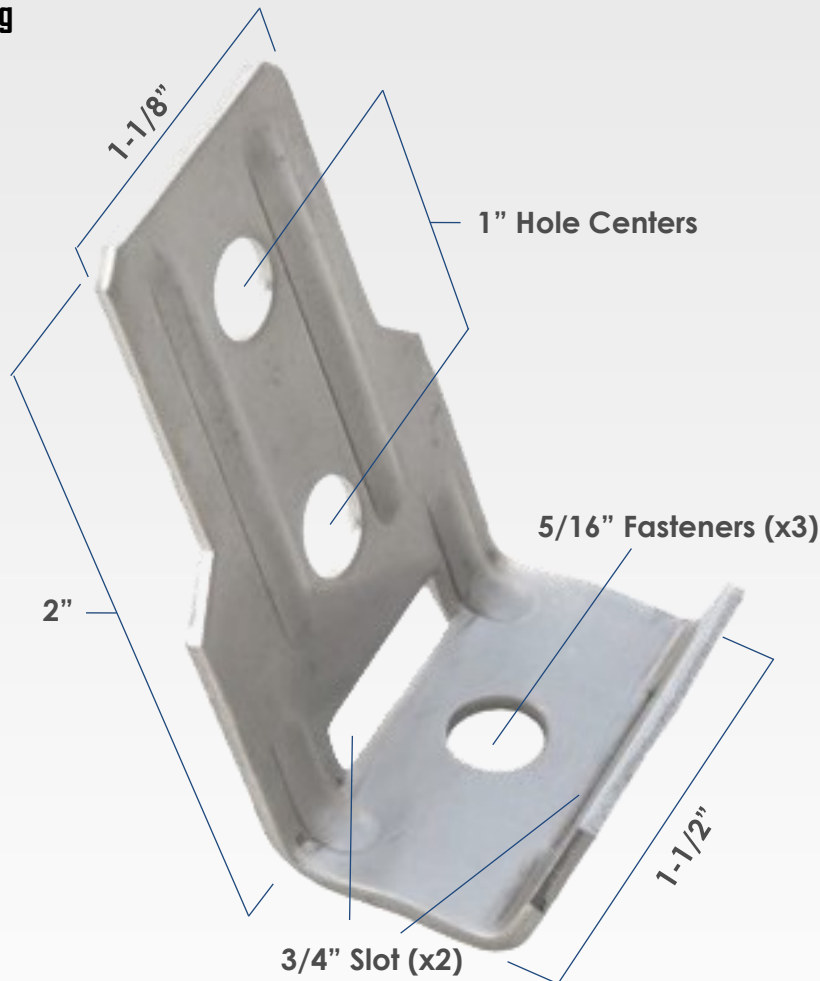
Commonly used throughout North America · Backed by a one-year manufacturer warranty

## Specifications:

- Stainless steel, will not rust, 100% recyclable
- Vibratory polished to a low sheen
- Bolt/Strap to post
- Bolt thru sign mounting

## Installation:

- Post mounting fasteners tested at 100 in-lbs torque
- Sign mounting fasteners tested at 100 in-lbs torque
- Typically used with grade 18/8 fasteners



## LB-007 Fastener Options

'SS' = Stainless Steel

### LB-007

- includes no fasteners (we can even offer fasteners not listed in our catalogue)

### LB-007-SS-PB

- HEX HEAD BOLT, SS, 5/16"-18UNC X 0.75" (x1)
- HEX NUT, SS, 5/16"-18UNC (x1)
- FLAT WASHER, SS, 5/16"ID X 0.75"OD(x1)



**Dyna Engineering Ltd.**  
info@dynaengineers.com

[dynaengineering.com](http://dynaengineering.com)