

HS-178

1-7/8" CENTRE MOUNTING SIGN BRACKET
Mounts to 1-7/8" round posts

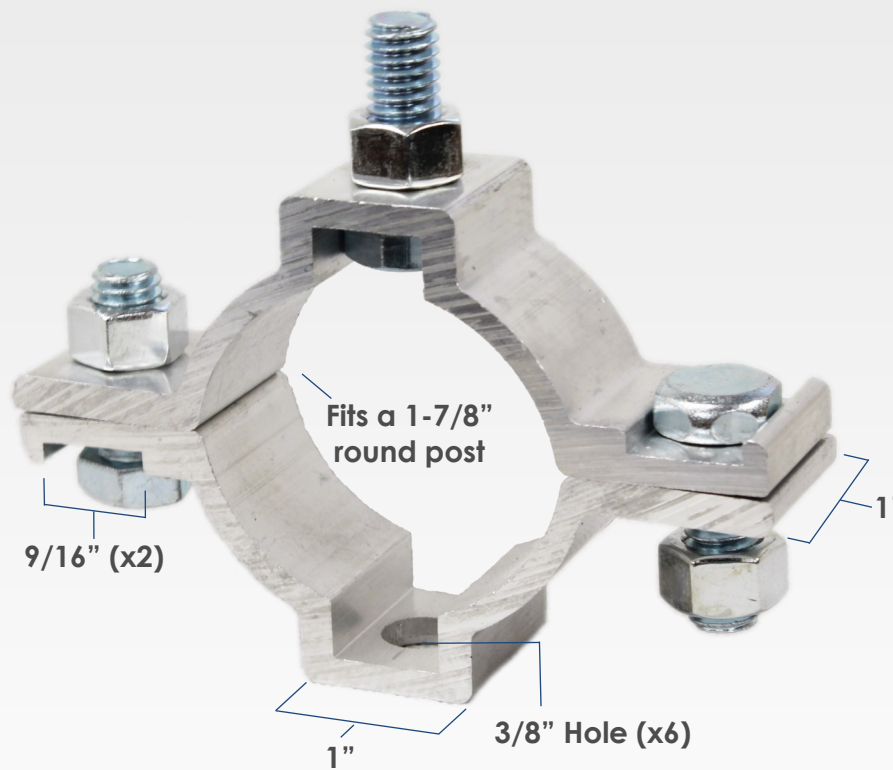
Commonly used throughout North America · Backed by a one-year manufacturer warranty

Product Specifications:

- Extruded aluminum, will not rust, 100% recyclable
- Mill finish
- Clamp to post
- Bolt thru sign mounting
- Additional nuts and bolts available for back-to-back mounting

Testing Specifications:

- Post mounting fasteners tested at 75 in-lbs torque
- Sign mounting fasteners tested at 100 in-lbs torque
- Tested with grade 2 fasteners



HS-178 Fastener Options

'ZP' = Zinc Plated / 'SS' = Stainless Steel

HS-178

- includes no fasteners (we can even offer fasteners not listed in our catalogue)

HS-178-ZP / HS-178-SS

- HEX HEAD BOLT, 3/8"-16UNC X 1" (x3)
- HEX NUT, 3/8"-16UNC (x3)



Dyna Engineering Ltd.
info@dynaengineers.com

dynaengineering.com

HS-238

2-3/8" CENTRE MOUNTING SIGN BRACKET
Mounts to 2-3/8" round posts

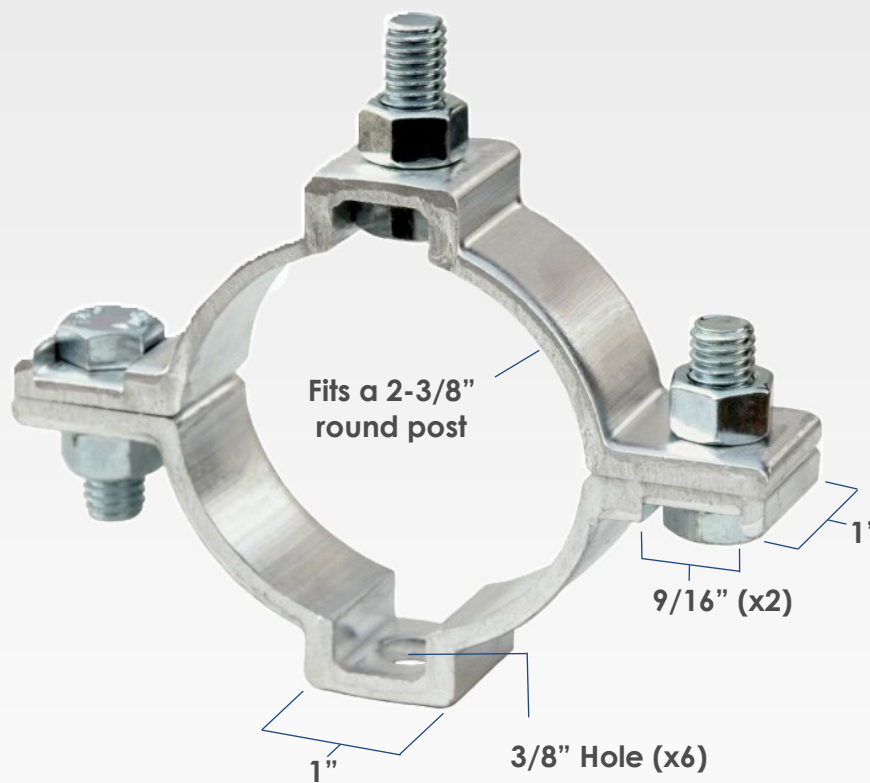
Commonly used throughout North America · Backed by a one-year manufacturer warranty

Product Specifications:

- Extruded aluminum, will not rust, 100% recyclable
- Mill finish
- Clamp to post
- Bolt thru sign mounting
- Additional nuts and bolts available for back-to-back mounting

Testing Specifications:

- Post mounting fasteners tested at 75 in-lbs torque
- Sign mounting fasteners tested at 100 in-lbs torque
- Tested with grade 2 fasteners



HS-238 Fastener Options

'ZP' = Zinc Plated / 'SS' = Stainless Steel

HS-238

- includes no fasteners (we can even offer fasteners not listed in our catalogue)

HS-238-ZP / HS-238-SS

- HEX HEAD BOLT, 3/8"-16UNC X 1" (x3)
- HEX NUT, 3/8"-16UNC (x3)



Dyna Engineering Ltd.
info@dynabrackets.com

dynaengineering.com

HS-400

4" CENTRE MOUNTING SIGN BRACKET
Mounts to 4" round posts

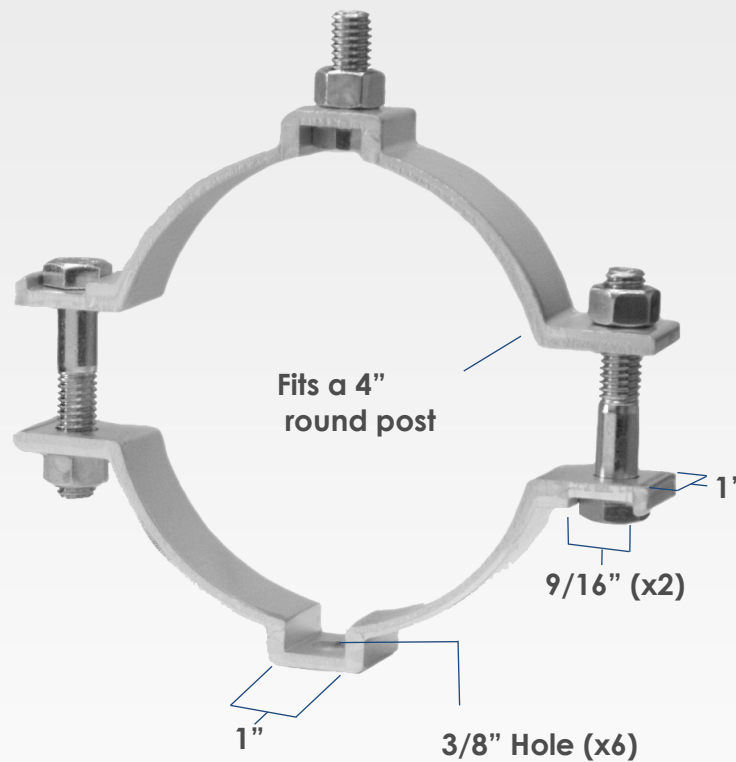
Commonly used throughout North America · Backed by a one-year manufacturer warranty

Product Specifications:

- Extruded aluminum, will not rust, 100% recyclable
- Mill finish
- Clamp to post
- Bolt thru sign mounting
- Additional nuts and bolts available for back-to-back mounting

Testing Specifications:

- Post mounting fasteners tested at 75 in-lbs torque
- Sign mounting fasteners tested at 100 in-lbs torque
- Tested with grade 2 fasteners



HS-400 Fastener Options

'ZP' = Zinc Plated / 'SS' = Stainless Steel

HS-400

- includes no fasteners (we can even offer fasteners not listed in our catalogue)

HS-400-ZP / HS-400-SS

- HEX HEAD BOLT, 3/8"-16UNC X 2" (x2)
- HEX HEAD BOLT, 3/8"-16UNC X 1" (x1)
- HEX NUT, 3/8"-16UNC (x3)



Dyna Engineering Ltd.
info@dynaengineers.com

dynaengineering.com