

FB-310

CTR MNT, FLARED LEG, SS, 2-3/8"+ POST, STRAP-ON
Mounts to 2-3/8"+ round posts, 2" square posts and all lamp standards

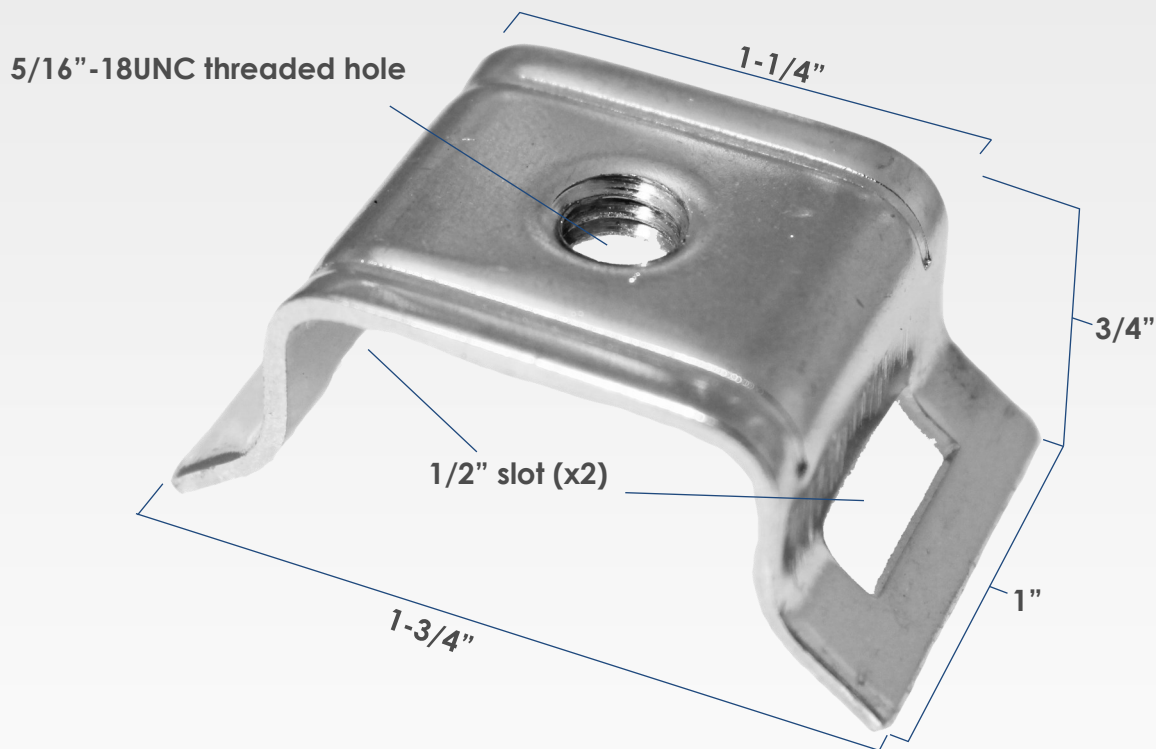
Commonly used throughout North America · Backed by a one-year manufacturer warranty

Product Specifications:

- Stainless steel, will not rust, 100% recyclable
- Vibratory polished to a low sheen
- Flared stand-off legs for mounting to larger surfaces
- Strap to post
- Bolt thru sign mounting

Testing Specifications:

- Sign mounting fasteners tested at 100 in-lbs torque
- Tested with grade 18/8 fasteners



FB-310 Fastener Options

'ZP' = Zinc Plated / 'SS' = Stainless Steel

FB-310

- includes no fasteners (we can even offer fasteners not listed in our catalogue)

FB-310-SS-PB

- HEX HEAD BOLT, SS, 5/16"-18UNC X 0.5" (x1)
- FLAT WASHER, SS, 5/16"ID X 0.75"OD (x1)
- FLAT WASHER, NL, 5/16"ID X 0.75"OD (x1)



Dyna Engineering Ltd.
info@dynaengineers.com

dynaengineering.com