

# 8-CX90

5" CROSS, 90°, XTR SIGNS, NOTCH  
Stacks signs vertically

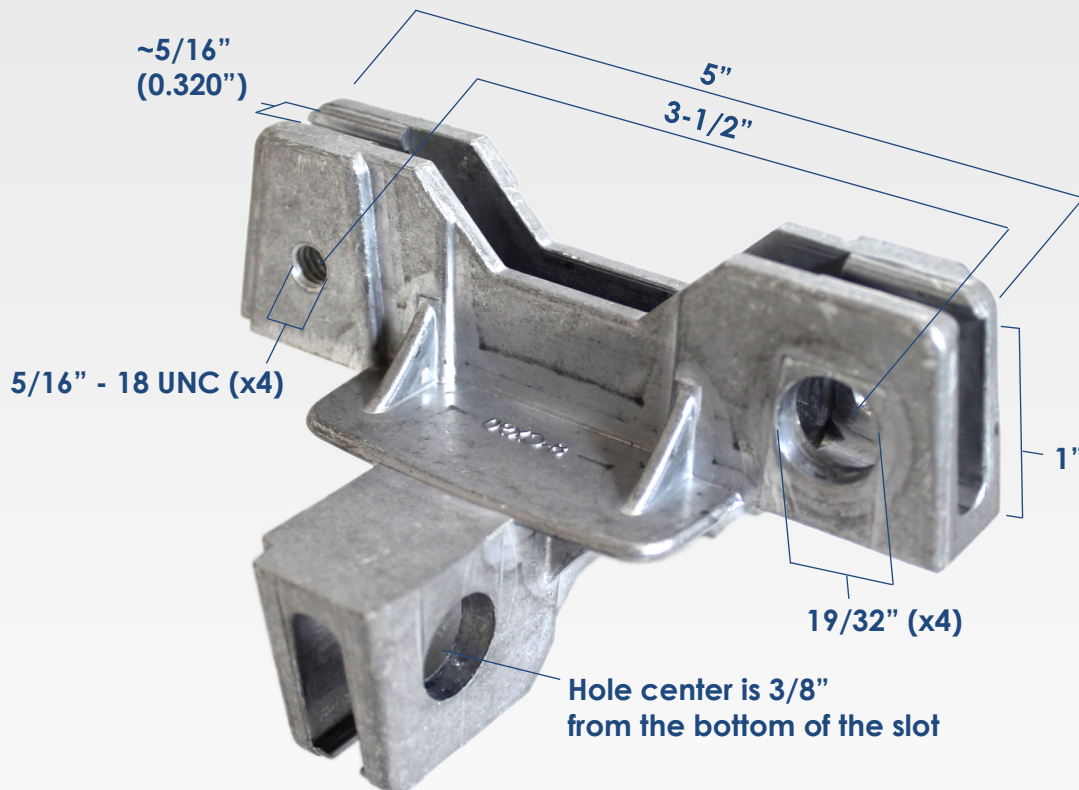
Commonly used throughout North America · Backed by a one-year manufacturer warranty

## Product Specifications:

- Die cast aluminum, will not rust, 100% recyclable
- Vibratory polished to a low sheen
- Set screw or bolt thru sign mounting

## Testing Specifications:

- Sign mounting fasteners tested at 50 in-lbs torque
- Tested with grade 2 fasteners
- Fatigue tested to 100,000 cycles



## 8-CX90 Fastener Options

'ZP' = Zinc Plated / 'SS' = Stainless Steel

### 8-CX90

- includes no fasteners (we can even offer fasteners not listed in our catalogue)

### 8-CX90-ZP / 8-CX90-SS

- SCKT SET SCREW, 5/16"-18UNC X 0.375", KNRLD, 5/32 HEX (x4)

### 8-CX90-ZPHB / 8-CX90-SSHB

- HEX HEAD BOLT, 5/16"-18UNC X 0.5" (x4)

### 8-CX90-ZPV / 8-CX90-SSV

- SCKT SET SCREW, 5/16"-18UNC X 0.375", KNRLD, PIN-IN, 5/32 HEX (x4)

### 8-CX90-ZPVB / 8-CX90-SSVB

- BUTTON HEAD BOLT, 5/16"-18UNC X 0.75", PIN-IN, 5/32 HEX (x4)



**Dyna Engineering Ltd.**  
info@dynaengineers.com

[dynaengineering.com](http://dynaengineering.com)