

6-WPX4

3.5" TOP/END MNT, 4" WOOD POST, XTR SIGNS
Stacks signs vertically

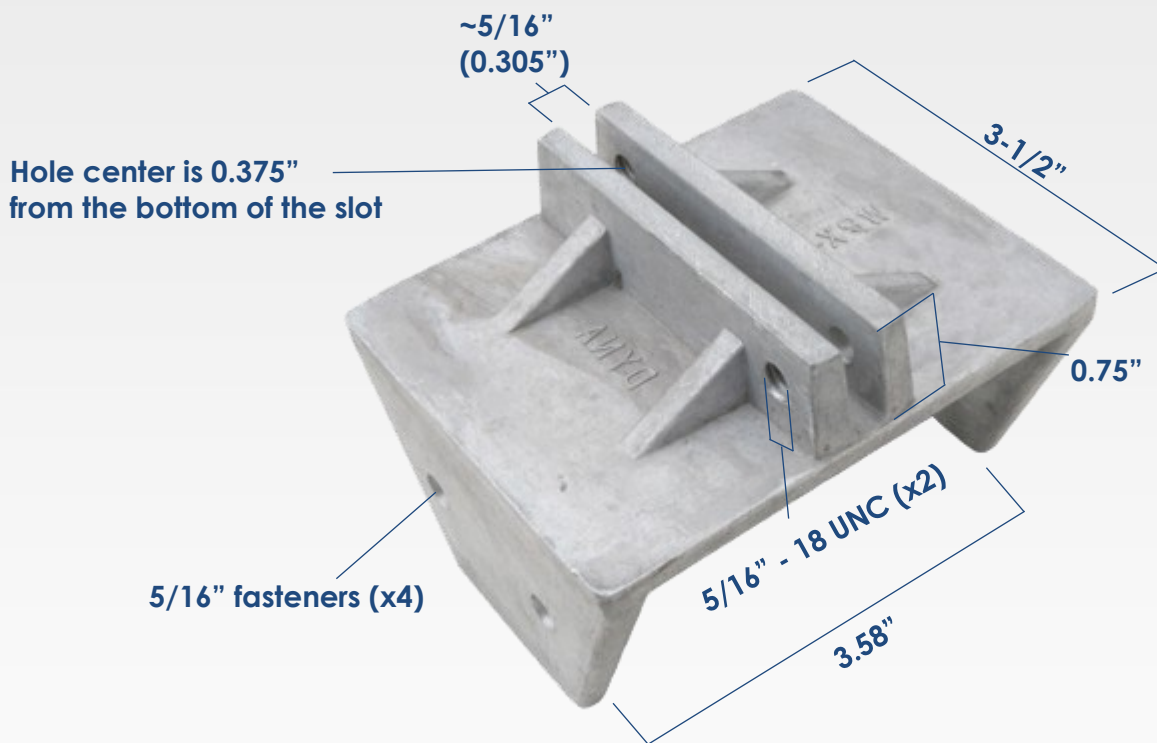
Commonly used throughout North America · Backed by a one-year manufacturer warranty

Product Specifications:

- Die cast aluminum, will not rust, 100% recyclable
- Vibratory polished to a low sheen
- Set screw sign mounting

Testing Specifications:

- Sign mounting fasteners tested at 50 in-lbs torque
- Tested with grade 2 fasteners



6-WPX4 Fastener Options

'ZP' = Zinc Plated / 'SS' = Stainless Steel

6-WPX4

- includes no fasteners (we can even offer fasteners not listed in our catalogue)

6-WPX4-ZP / 6-WPX4-SS

- SCKT SET SCREW, 5/16"-18UNC X 0.375", KNRLD, 5/32 HEX (x2)

6-WPX4-ZPV / 6-WPX4-SSV

- SCKT SET SCREW, 5/16"-18UNC X 0.375", KNRLD, PIN-IN, 5/32 HEX (x4)



Dyna Engineering Ltd.
info@dynaengineers.com

dynaengineering.com