

5A-CF360

5-1/2" ADJUSTABLE/MODULAR CROSS, FLT SIGNS
Stacks signs vertically, 360° fully adjustable

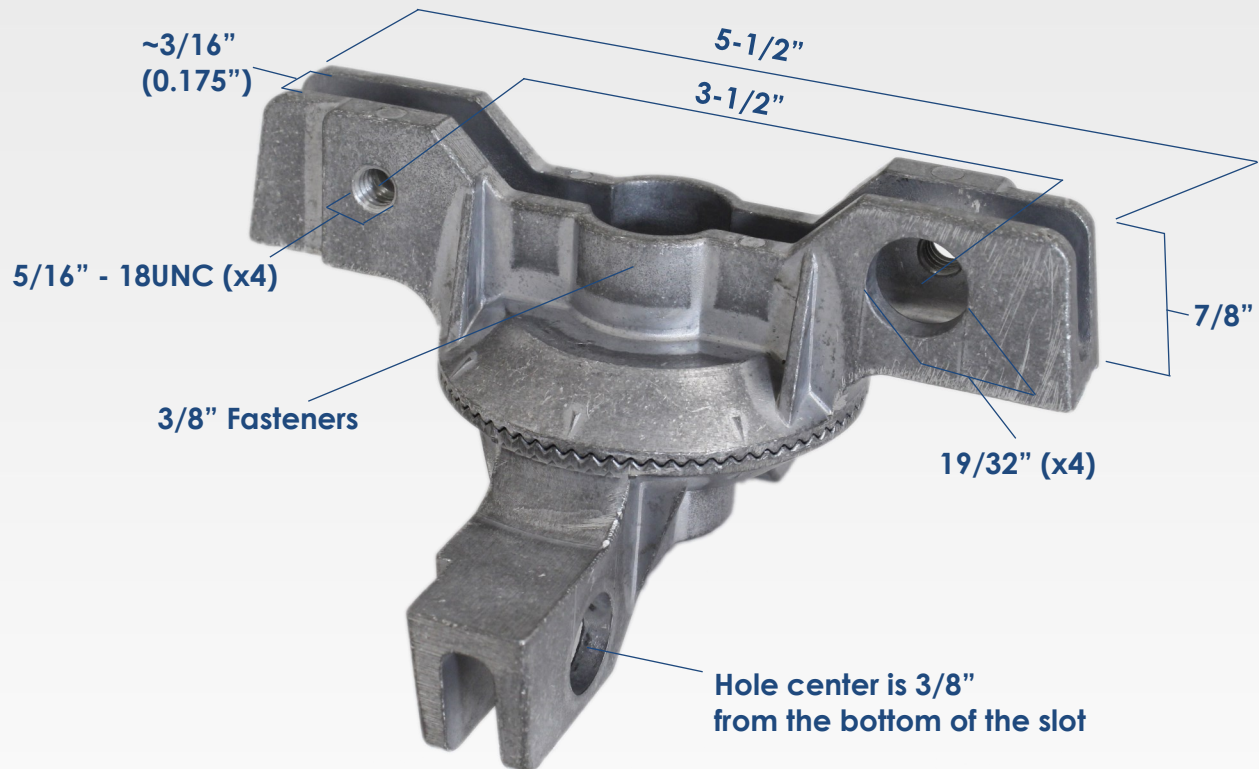
Commonly used throughout North America · Backed by a one-year manufacturer warranty

Product Specifications:

- Die cast aluminum, will not rust, 100% recyclable
- Vibratory polished to a low sheen
- Can be adjusted a full 360° in 5° increments
- Set screw or bolt thru sign mounting

Testing Specifications:

- Sign mounting fasteners tested at 50 in-lbs torque
- Center bolt tested at 100 in-lbs torque
- Tested with grade 2 fasteners
- Fatigue tested to 100,000 cycles



5A-CF360 Fastener Options

'ZP' = Zinc Plated / 'SS' = Stainless Steel

5A-CF360

- includes no fasteners (we can even offer fasteners not listed in our catalogue)

5A-CF360-ZP / 5A-CF360-SS

- SCKT SET SCREW, 5/16"-18UNC X 0.375", KNRLD, 5/32 HEX (x4)
- HEX HEAD BOLT, 3/8"-16UNC X 0.75" (x1)
- HEX NUT, 3/8"-16UNC (x1)

5A-CF360-ZPHB / 5A-CF360-SSHB

- HEX HEAD BOLT, 5/16"-18UNC X 0.5" (x4)
- HEX HEAD BOLT, 3/8"-16UNC X 0.75" (x1)
- HEX NUT, 3/8"-16UNC (x1)

5A-CF360-ZPV / 5A-CF360-SSV

- SCKT SET SCREW, 5/16"-18UNC X 0.375", KNRLD, PIN-IN, 5/32 HEX (x4)
- HEX HEAD BOLT, 3/8"-16UNC X 0.75" (x1)
- HEX NUT, 3/8"-16UNC (x1)

5A-CF360-ZPVB / 5A-CF360-SSVB

- BUTTON HEAD BOLT, 5/16"-18UNC X 0.75", PIN-IN, 5/32 HEX (x4)
- HEX HEAD BOLT, 3/8"-16UNC X 0.75" (x1)
- HEX NUT, 3/8"-16UNC (x1)



Dyna Engineering Ltd.
info@dynaengineers.com

dynaengineering.com