

5-UF180

5-1/2" U-CHANNEL, FLT SIGNS
Mounts to U-Channel (1" Hole Centers) at 180°

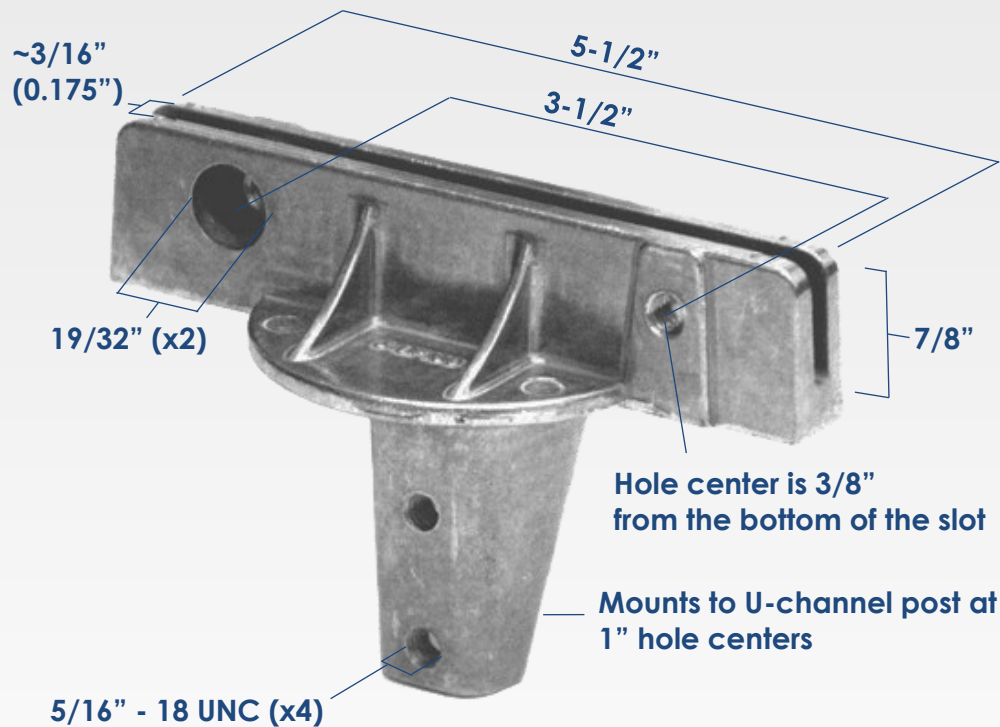
Commonly used throughout North America · Backed by a one-year manufacturer warranty

Product Specifications:

- Die cast aluminum, will not rust, 100% recyclable
- Vibratory polished to a low sheen
- Set screw or bolt thru sign mounting

Testing Specifications:

- Post mounting fasteners tested at 100 in-lbs torque
- Sign mounting fasteners tested at 50 in-lbs torque
- Tested with grade 2 fasteners
- Fatigue tested to 100,000 cycles



5-UF180 Fastener Options

'ZP' = Zinc Plated / 'SS' = Stainless Steel

5-UF180

- includes no fasteners (we can even offer fasteners not listed in our catalogue)

5-UF180-ZP / 5-UF180-SS

- SCKT SET SCREW, 5/16"-18UNC X 0.375", KNRLD, 5/32" HEX (x2)
- HEX HEAD BOLT, 5/16"-18UNC X 0.75" (x2)

5-UF180-ZPHB / 5-UF180-SSHb

- HEX HEAD BOLT, 5/16"-18UNC X 0.5" (x2)
- HEX HEAD BOLT, 5/16"-18UNC X 0.75" (x2)

5-UF180-ZPV / 5-UF180-SSV

- SCKT SET SCREW, 5/16"-18UNC X 0.375", KNRLD, PIN-IN, 5/32" HEX (x2)
- BUTTON HEAD BOLT, 5/16"-18UNC X 0.75", PIN-IN, 5/32" HEX (x2)

5-UF180-ZPVB / 5-UF180-SSVB

- BUTTON HEAD BOLT, 5/16"-18UNC X 0.75", PIN-IN, 5/32" HEX (x4)



Dyna Engineering Ltd.
info@dynaengineers.com

dynaengineering.com