

5-R178S134X

5-1/2" TOP MNT, 1-7/8" RP/1-3/4"SQ, XTR SIGNS
Mounts to 1-7/8" round posts and 1-3/4" square posts

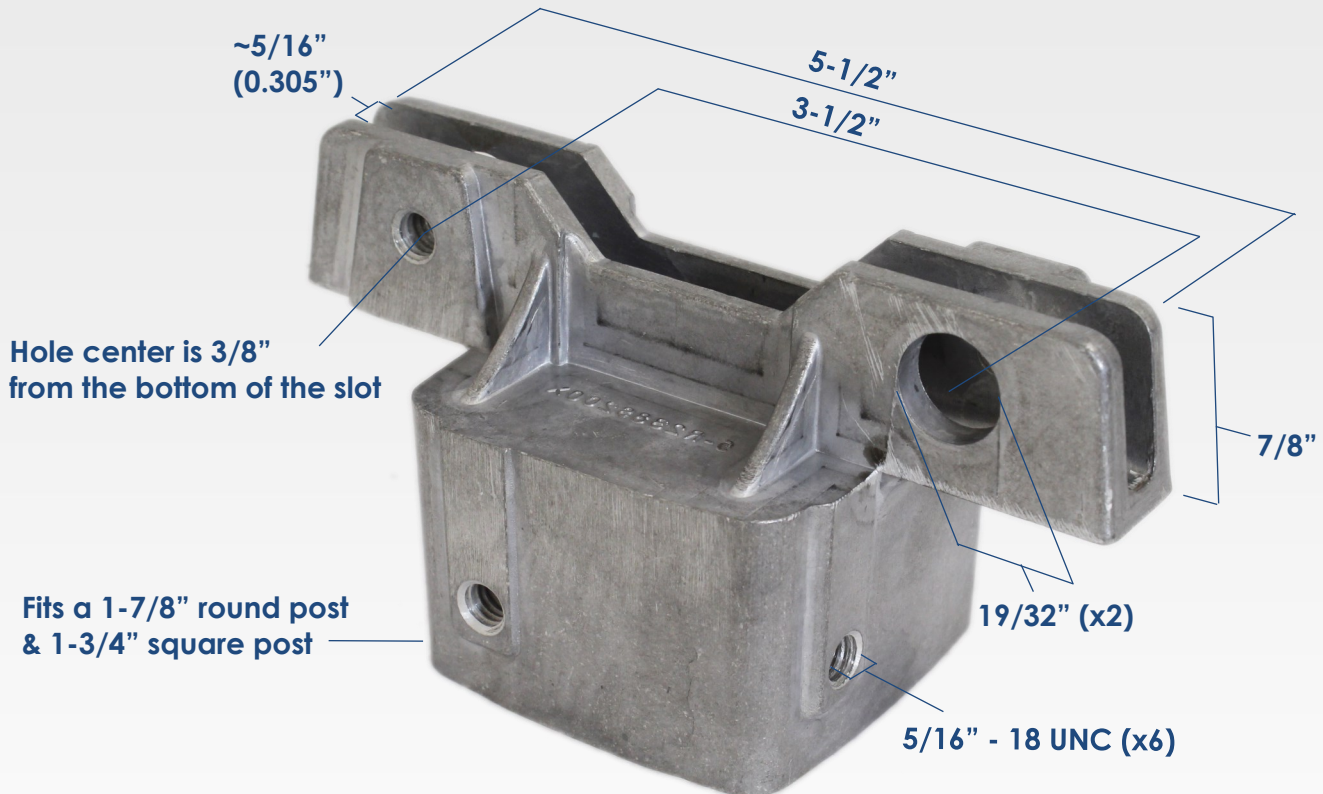
Commonly used throughout North America · Backed by a one-year manufacturer warranty

Product Specifications:

- Die cast aluminum, will not rust, 100% recyclable
- Vibratory polished to a low sheen
- Set screw or bolt thru sign mounting

Testing Specifications:

- Post mounting fasteners tested at 50 in-lbs torque
- Sign mounting fasteners tested at 50 in-lbs torque
- Tested with grade 2 fasteners
- Fatigue tested to 100,000 cycles



5-R178S134X Fastener Options

'ZP' = Zinc Plated / 'SS' = Stainless Steel

5-R178S134X

- includes no fasteners (we can even offer fasteners not listed in our catalogue)

5-R178S134X-ZP / 5-R178S134X-SS

- SCKT SET SCREW, 5/16"-18UNC X 0.375", KNRLD, 5/32 HEX (x6)

5-R178S134X-ZPHB / 5-R178S134X-SSHB

- HEX HEAD BOLT, 5/16"-18UNC X 0.5" (x6)

5-R178S134X-ZPV / 5-R178S134X-SSV

- SCKT SET SCREW, 5/16"-18UNC X 0.375", KNRLD, PIN-IN, 5/32 HEX(x6)

5-R178S134X-ZPVB / 5-R178S134X-SSVB

- BUTON HEAD BOLT, 5/16"-18UNC X 0.75", PIN-IN, 5/32 HEX (x2)
- SCKT SET SCREW, 5/16"-18UNC X 0.375", KNRLD, PIN-IN, 5/32 HEX (x4)



Dyna Engineering Ltd.
info@dynaengineers.com

dynaengineering.com