

5-CF90

5-1/2" CROSS, 90 DEG, FLT SIGNS
Stacks signs vertically at 90°

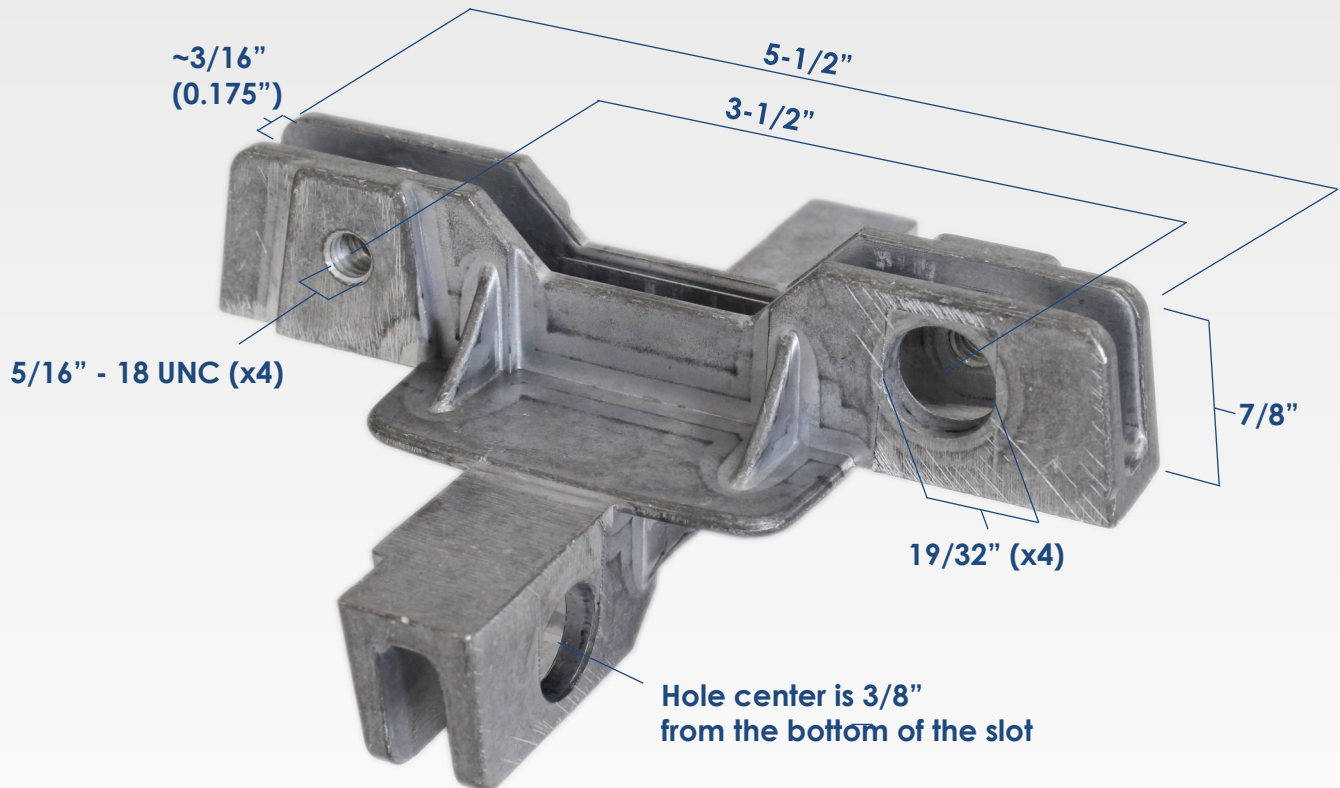
Commonly used throughout North America · Backed by a one-year manufacturer warranty

Product Specifications:

- Die cast aluminum, will not rust, 100% recyclable
- Vibratory polished to a low sheen
- Set screw or bolt thru sign mounting

Testing Specifications:

- Sign mounting fasteners tested at 50 in-lbs torque
- Tested with grade 2 fasteners
- Fatigue tested to 100,000 cycles



5-CF90 Fastener Options

'ZP' = Zinc Plated / 'SS' = Stainless Steel

5-CF90

- includes no fasteners (we can even offer fasteners not listed in our catalogue)

5-CF90-ZP / 5-CF90-SS

- SCKT SET SCREW, 5/16"-18UNC X 0.375", KNRLD, 5/32 HEX (x4)

5-CF90-ZPHB / 5-CF90-SSHB

- HEX HEAD BOLT, 5/16"-18UNC X 0.5" (x4)

5-CF90-ZPV / 5-CF90-SSV

- SCKT SET SCREW, 5/16"-18UNC X 0.375", KNRLD, PIN-IN, 5/32 HEX (x4)

5-CF90-ZPVB / 5-CF90-SSVB

- BUTTON HEAD BOLT, 5/16"-18UNC X 0.75", PIN-IN, 5/32 HEX (x4)



Dyna Engineering Ltd.
info@dynabrackets.com

dynaengineering.com