

# 3A-U360A-203

6-1/4" ADJUSTABLE/MODULAR U-CHANNEL, FLT OR EXT SIGNS  
Mounts to U-Channel (2" Hole Centers) at 360°

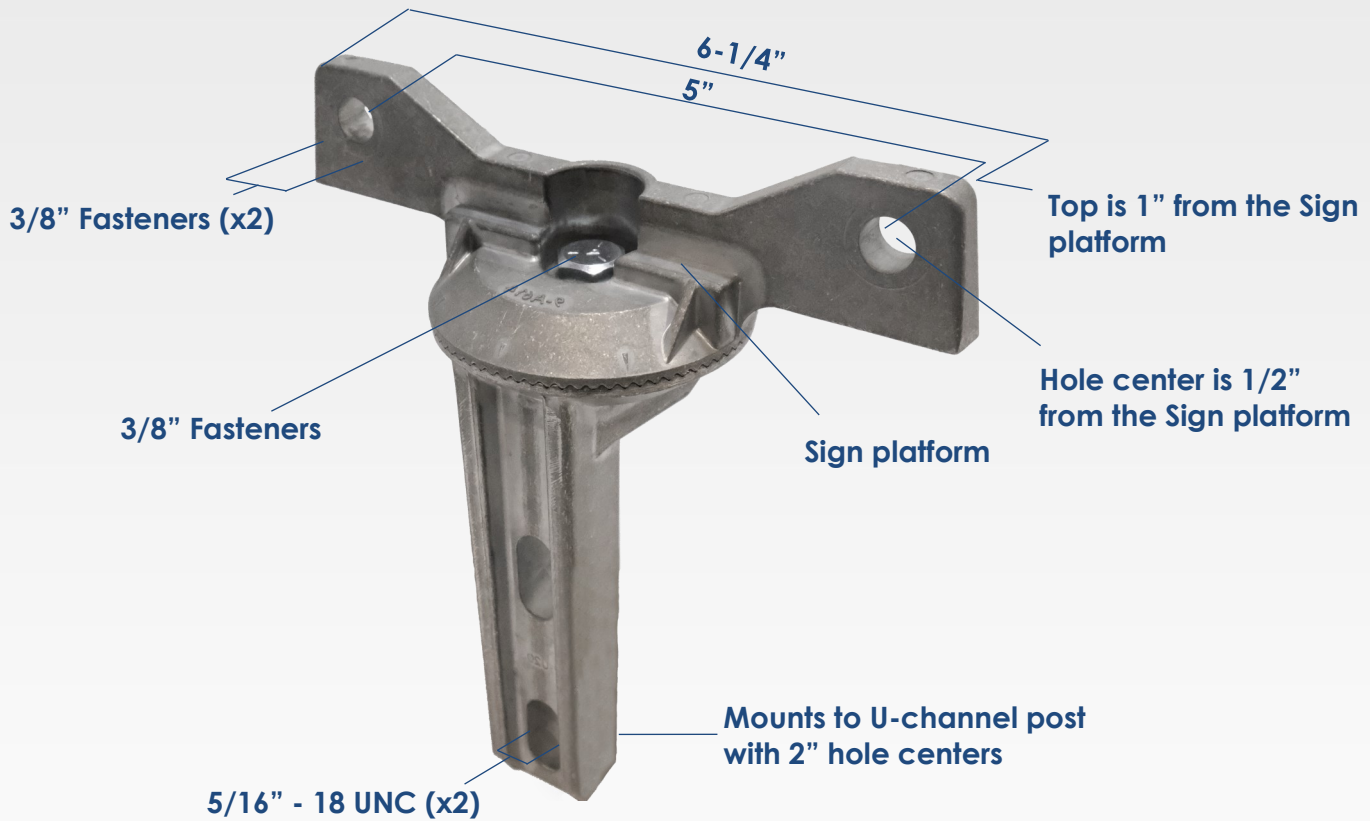
Commonly used throughout North America · Backed by a one-year manufacturer warranty

## Product Specifications:

- Die cast aluminum, will not rust, 100% recyclable
- Vibratory polished to a low sheen
- Can be adjusted a full 360° in 5° increments
- Bolt thru sign mounting

## Testing Specifications:

- Post mounting fasteners tested at 100 in-lbs torque
- Sign mounting fasteners tested at 100 in-lbs torque
- Center bolt tested at 100 in-lbs torque
- Tested with grade 2 fasteners
- Fatigue tested to 100,000 cycles



## 3A-U360A-203 Fastener Options

'ZP' = Zinc Plated / 'SS' = Stainless Steel

### 3A-U360A-203

- includes no fasteners (we can even offer fasteners not listed in our catalogue)

### 3A-U360A-203-ZPHB / 3A-U360A-203-SSHb

- HEX HEAD BOLT, 3/8"-16UNC X 1.5" (x2)
- HEX NUT, 3/8"-16UNC (x2)
- HEX HEAD BOLT, 5/16"-18UNC X 0.75" (x2)
- HEX HEAD BOLT, 3/8"-16UNC X 0.75" (x1)



**Dyna Engineering Ltd.**  
info@dynaengineers.com

[dynaengineering.com](http://dynaengineering.com)