

# 3A-CA360

6-1/4" ADJUSTABLE/MODULAR CROSS, FLT OR XTR SIGNS  
Stacks signs vertically, 360° fully adjustable

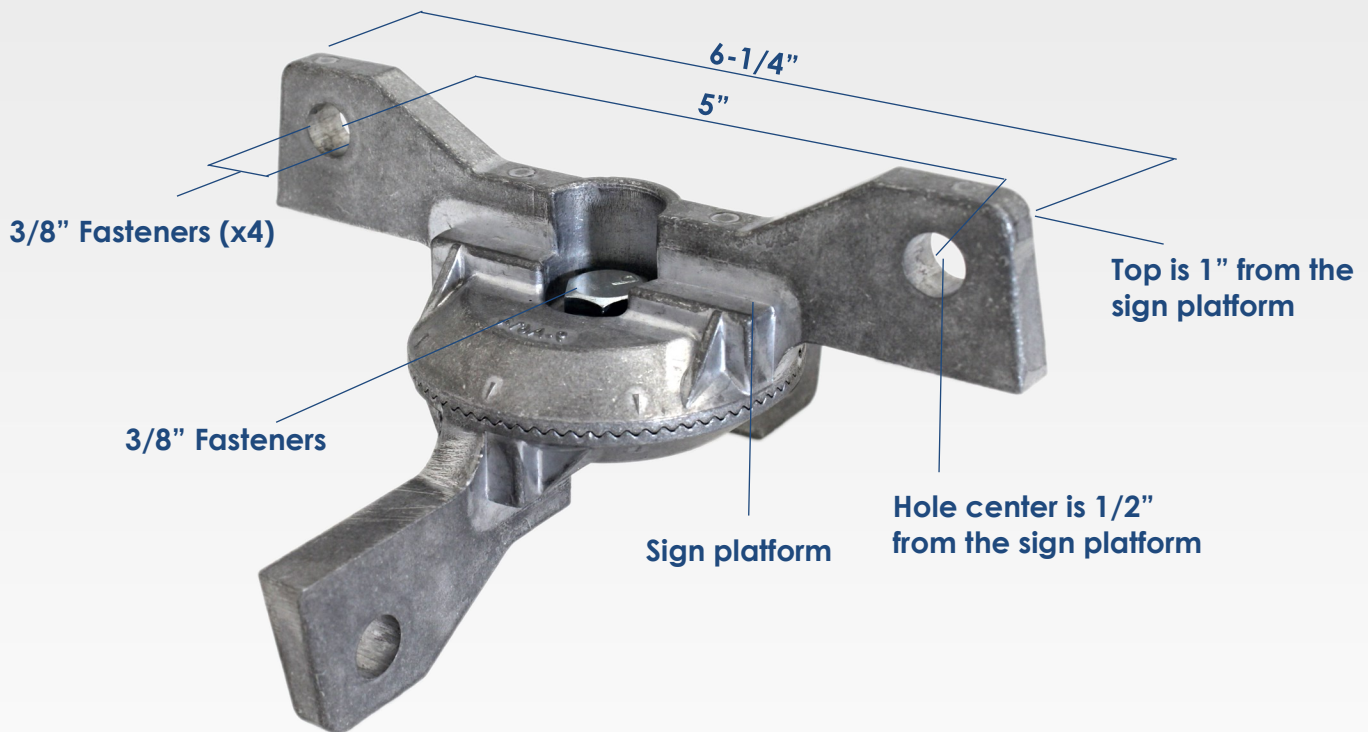
Commonly used throughout North America · Backed by a one-year manufacturer warranty

## Product Specifications:

- Die cast aluminum, will not rust, 100% recyclable
- Vibratory polished to a low sheen
- Can be adjusted a full 360° in 5° increments
- Bolt thru sign mounting

## Testing Specifications:

- Sign mounting fasteners tested at 100 in-lbs torque
- Center bolt tested at 100 in-lbs torque
- Tested with grade 2 fasteners
- Fatigue tested to 100,000 cycles



## 3A-CA360 Fastener Options

'ZP' = Zinc Plated / 'SS' = Stainless Steel

### 3A-CA360

- includes no fasteners (we can even offer fasteners not listed in our catalogue)

### 3A-CA360-ZPHB / 3A-CA360-SSHB

- HEX HEAD BOLT, 3/8"-16UNC X 1.5" (x4)
- HEX NUT, 3/8"-16UNC (x5)
- HEX HEAD BOLT, 3/8"-16UNC X 0.75" (x1)



**Dyna Engineering Ltd.**  
info@dynaengineers.com

[dynaengineering.com](http://dynaengineering.com)