

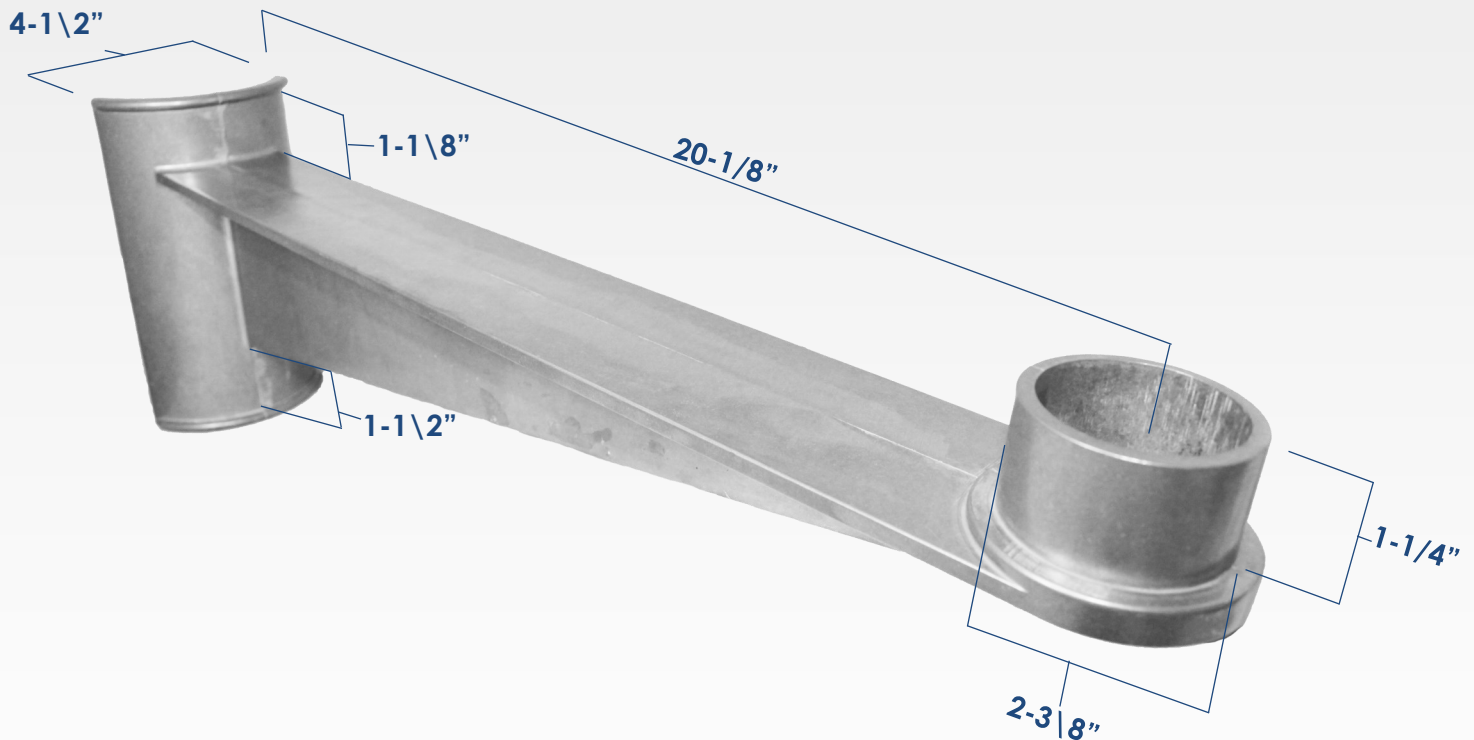
# 16-CB2318

23.125" CANTILEVER, POST ARM, PROVIDES 2-3/8" R BASE  
Mounts to 4-1/2"+ round posts, 4-3/4"+ square posts and all lamp standards

Commonly used throughout North America · Backed by a one-year manufacturer warranty

## Product Specifications:

- Die cast aluminum, will not rust, 100% recyclable
- Vibratory polished to a low sheen
- Also available in a powder coated or painted finish
- Strap to post
- Provides 2-3/8" OD mounting base
- Provides 2-7/8" OD mounting base when used with AR-238R-278R



Dyna Engineering Ltd.  
info@dynaengineers.com

dynaengineering.com